

# PRODUCT INFORMATION PACKET



Model No: CM38T17FZ7A

Catalog No: M1145127.00

..3/8HP..29RPM.38.TEFC./208-230V.3PH.60HZ.....CM38T17FZ7A.13...60:1.INVERTER  
RATED..220LBIN.....

Right Angle



Regal and Leeson are trademarks of Regal Beloit Corporation or one of its affiliated companies.

©2018 Regal Beloit Corporation, All Rights Reserved. MC017097E





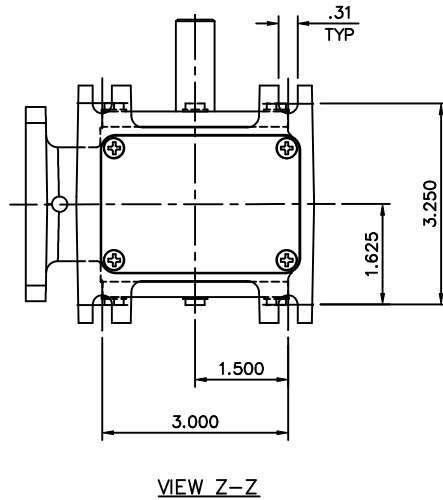
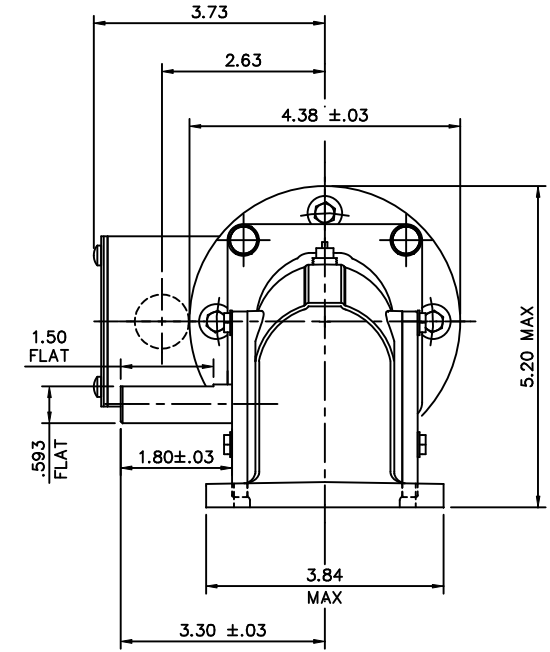
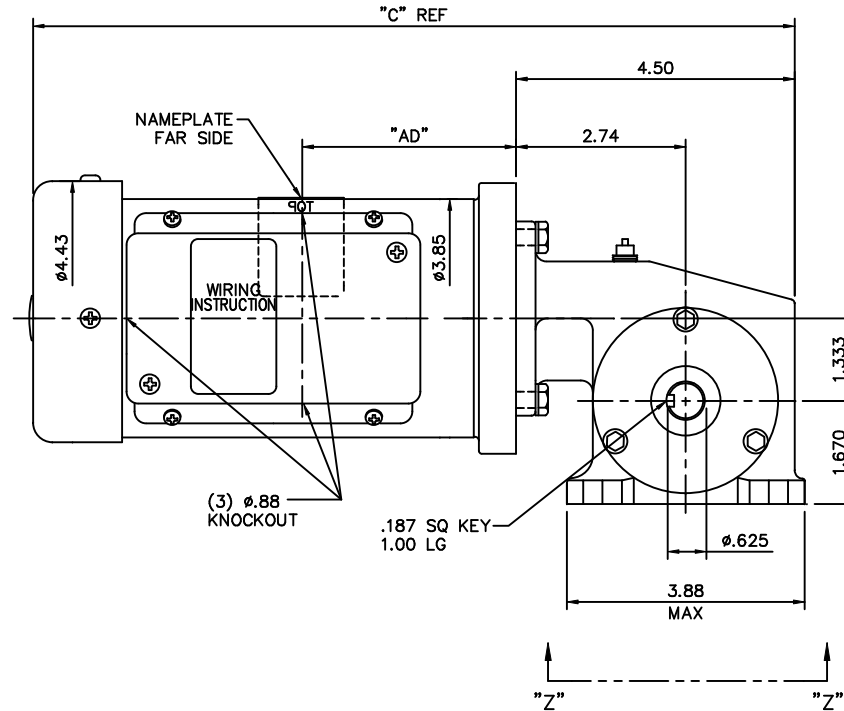
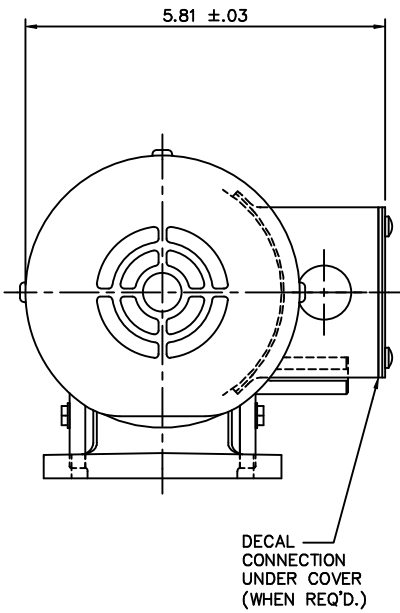
### Nameplate Specifications

Output HP	<b>0.38 Hp</b>	Output KW	<b>0.28 kW</b>
Frequency	<b>60 Hz</b>	Voltage	<b>190 V</b>
Current	<b>1.4-1.3 A</b>	Speed	<b>29 rpm</b>
Service Factor	<b>1</b>	Phase	<b>3</b>
Duty	<b>Continuous</b>	Insulation Class	<b>F</b>
KVA Code	<b>G</b>	Frame	<b>38</b>
Enclosure	<b>Totally Enclosed Fan Cooled</b>	Overload Protector	<b>No</b>
Ambient Temperature	<b>40 °C</b>	Drive End Bearing Size	<b>6201</b>
Opp Drive End Bearing Size	<b>6201</b>	UL	<b>Recognized</b>
CSA	<b>Y</b>	CE	<b>N</b>

### Technical Specifications

Rotation	<b>Reversible</b>	Mounting	<b>Special</b>
Shaft Type	<b>Right Angle</b>	Overall Length	<b>12.31 in</b>
Frame Length	<b>5.88 in</b>	Shaft Diameter	<b>0.625 in</b>
Shaft Extension	<b>1.8 in</b>		
Outline Drawing	<b>M1030994-M1145127</b>	Connection Diagram	<b>005102.01</b>

This is an uncontrolled document once printed or downloaded and is subject to change without notice. Date Created: 10/15/2018

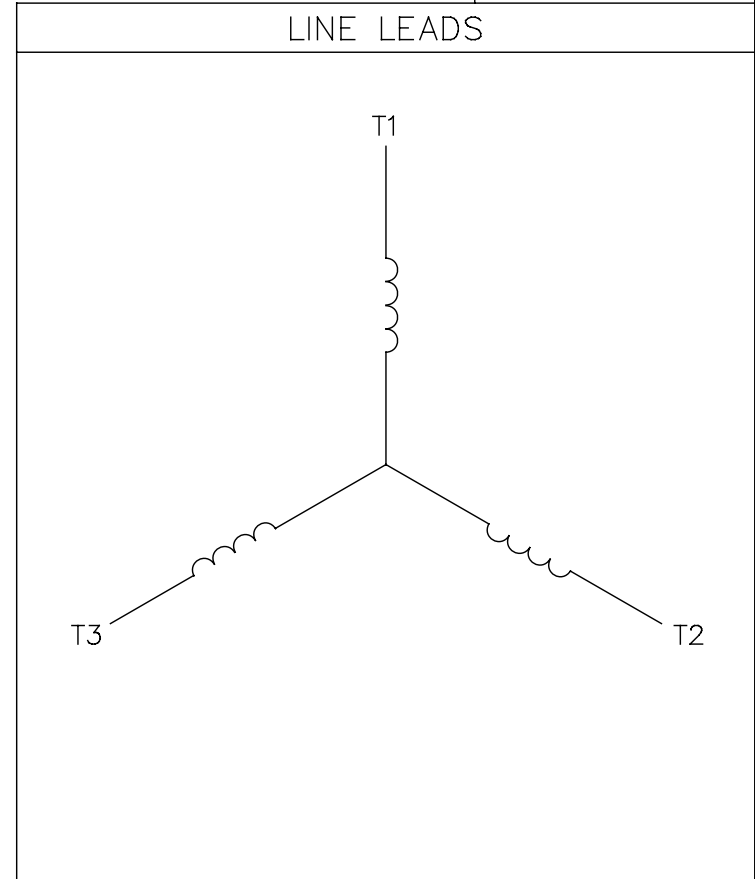
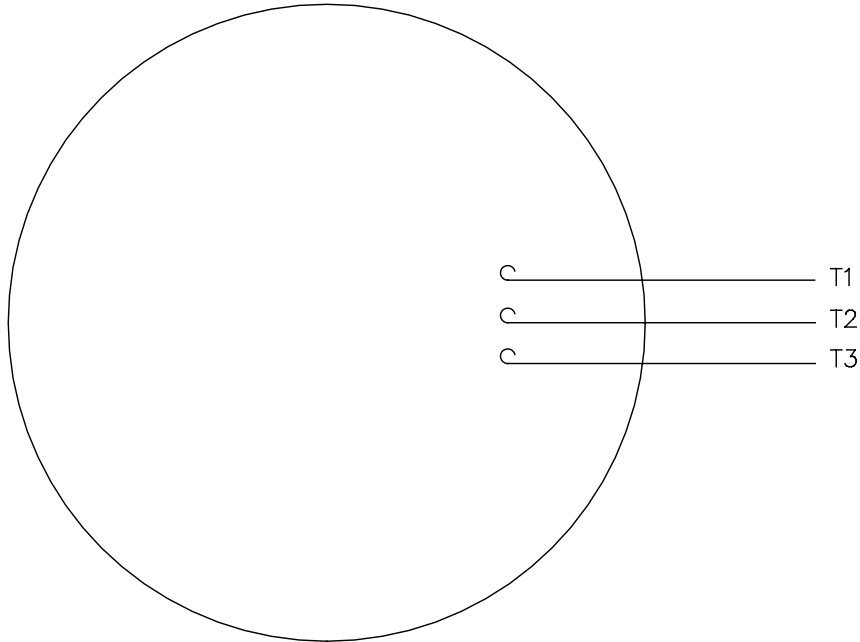


CATALOG NUMBER	OUTPUT RPM	FULL LOAD TORQUE LB.-IN.	INPUT HP	OVERHUNG LOAD LBS.	RATIO TO 1	"C"	"AD"
M1145127.00	29	220	3/8	235	60	12.31	3.50
M1145128.00	43	228	3/8	235	40	12.31	3.50
M1145129.00	86	138	3/8	235	20	12.31	3.50
M1145130.00	172	105	3/8	235	10	12.31	3.50
M1145131.00	345	54	3/8	235	05	12.31	3.50
M1145136.00	345	23	3/8	235	05	11.81	2.50

		TOLERANCES UNLESS SPECIFIED		LEESON	ELECTRIC MOTORS GEARMOTORS AND DRIVES	DRAWN LST 5/16/05	
		DEC.	INCHES			CHK	RW 6/1/05
		.X	±.1	TITLE 38 FRAME A.C. RIGHT ANGLE GEARMOTOR		APPD	KH 6/1/05
		.XX	±.03			SCALE	1=2
02	CHANGED TO DIE CAST GEARBOX PER ECN 06-3024.	RPB	7/13/06	FINISH M1030994		REF	PR040180
01	ADDED PERFORMANCE ATTRIBUTES TABLE	RLW	7/7/05			SIZE	B
NO. REVISION		BY & DATE		CAD FILE		DRAWING NO.	
THIS DRAWING IN DESIGN AND DETAIL IS OUR PROPERTY AND MUST NOT BE USED EXCEPT IN CONNECTION WITH OUR WORK ALL RIGHTS OF DESIGN AND INVENTION ARE RESERVED THIS IS AN ELECTRONICALLY GENERATED DOCUMENT - DO NOT SCALE THIS PRINT				RFP	M1030994	M1030994	
				CHK	ANG	±1/2"	REV.
				DIST		02	

005102-01

VIEW FROM OUTSIDE OF MOTOR AT SWITCH END.



CONNECT LEADS AS FOLLOWS  
FOR FOUR CONDUCTOR CORD ( )

CORD	L1 (RED)	L2 (WHITE)	L3 (BLACK)	(GREEN)
MOTOR	T1	T2	T3	GROUND

				TOLERANCES UNLESS SPECIFIED		<b>Regal Beloit America, Inc.</b>			DRAWN JRW 9/11/75	
				DEC.	INCHES				CHK	
				.X	±.1	APPD JCW 9/11/75		SCALE 1=1		
08	UPDATED TO REGAL LOGO	SAJ 06/26/15	AJY	.XX	±.01	TITLE EXTERNAL WIRING DIAGRAM TYPE "T" W/O PROTECTOR			REF W-T6343-6	
07	UPDATED TO CURRENT STANDARDS	DBT 5/30/97		.XXX	±.005				MAT'L. DECAL - 004169	
06	REDRAWN ON CAD; ADDED DECAL NUMBER	SAW 1/24/95		.XXXX	±.0005	FINISH			PREV	
NO.	REVISION	BY & DATE	CHK	ANG	±1/2"	RFP 5/1/02	CAD FILE 00510201	SIZE A	DRAWING NO. 005102-01	REV. 08
THIS DRAWING IN DESIGN AND DETAIL IS OUR PROPERTY AND MUST NOT BE USED EXCEPT IN CONNECTION WITH OUR WORK ALL RIGHTS OF DESIGN AND INVENTION ARE RESERVED THIS IS AN ELECTRONICALLY GENERATED DOCUMENT - DO NOT SCALE THIS PRINT						DIST BRF-NLV				