

PRODUCT INFORMATION PACKET



Model No: CM38P17FZ18B

Catalog No: M1145039.00

..1/6HP..83RPM.38.TEFC.115/230V.1PH.60HZ.....CM38P17FZ18B.13...20:1.AC GEARMOTORS SUB-FHP..75LBIN.....

Right Angle



Regal and Leeson are trademarks of Regal Beloit Corporation or one of its affiliated companies.

©2018 Regal Beloit Corporation, All Rights Reserved. MC017097E





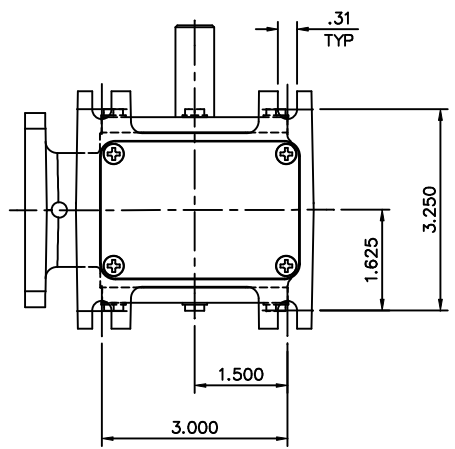
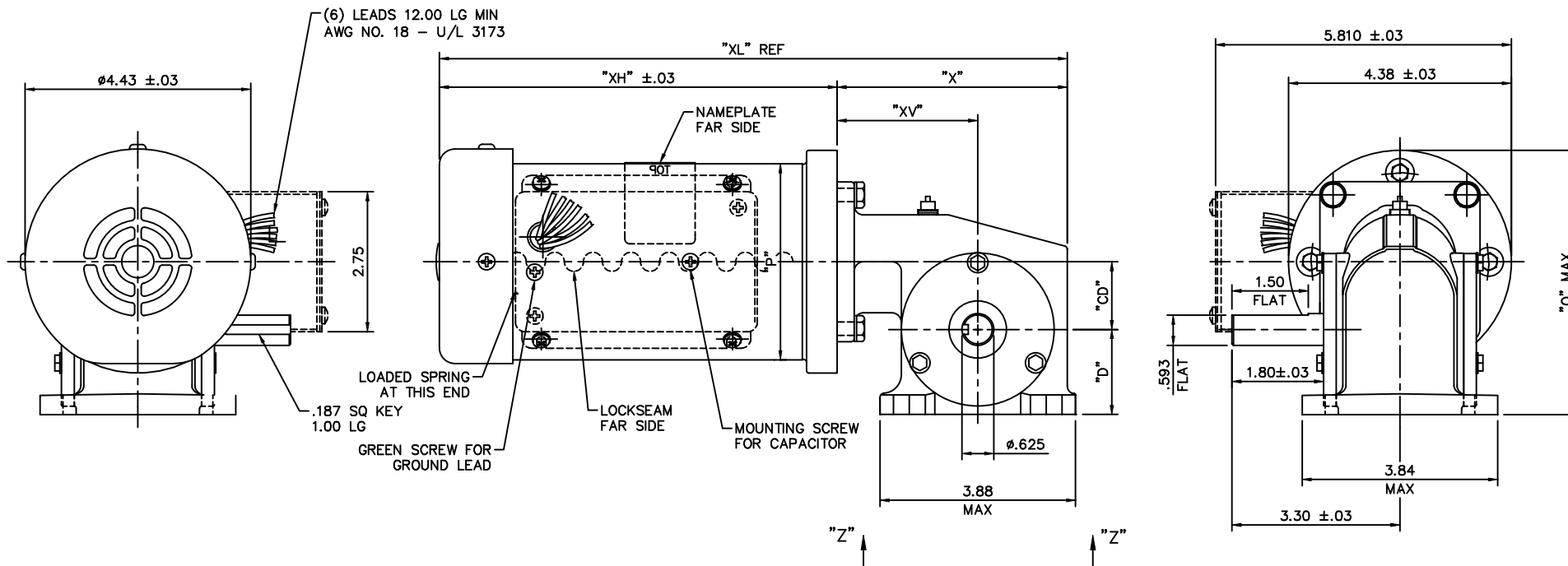
Nameplate Specifications

Output HP	0.16 Hp	Output KW	0.12 kW
Frequency	60 Hz	Voltage	110 V
Current	2.0/1.0 A	Speed	83 rpm
Service Factor	1	Phase	1
Duty	Continuous	Insulation Class	F
KVA Code	D	Frame	38
Enclosure	Totally Enclosed Fan Cooled	Overload Protector	No
Ambient Temperature	40 °C	Drive End Bearing Size	6201
Opp Drive End Bearing Size	6201	UL	Recognized
CSA	Y	CE	Y

Technical Specifications

Rotation	Reversible	Mounting	Special
Shaft Type	Right Angle	Overall Length	12.31 in
Frame Length	5.88 in	Shaft Diameter	0.625 in
Shaft Extension	1.8 in		
Outline Drawing	M1030422-M1145039	Connection Diagram	M1005040.02

This is an uncontrolled document once printed or downloaded and is subject to change without notice. Date Created: 10/15/2018



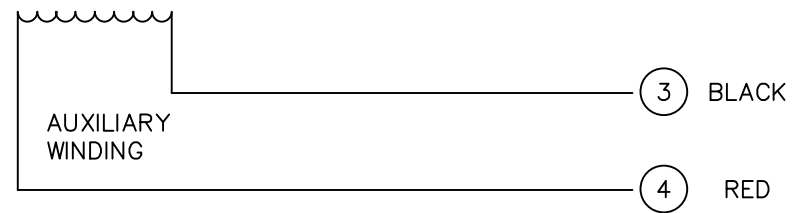
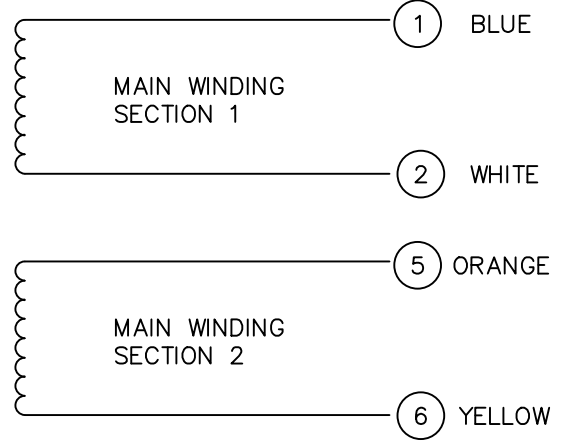
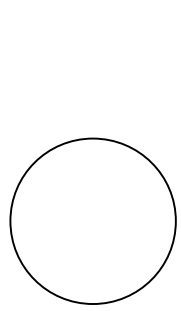
VIEW Z-Z

CATALOG NUMBER	SPEED RANGE RPM	FULL LOAD TORQUE LB.-IN.	INPUT HP	OVERHUNG LOAD LBS.	GEARMOTOR TYPE & FRAME	RATIO TO 1	"P"	"X"	"XH"	"XL"	"XV"	"D"	"O"	"CD"
M1145037.00	29	110	1/6	235	13F60-38F	60	3.85	4.50	7.81	12.31	2.74	1.67	5.20	1.333
M1145038.00	43	113	1/6	235	13F40-38F	40	3.85	4.50	7.81	12.31	2.74	1.67	5.20	1.333
M1145039.00	85	75	1/6	235	13F20-38F	20	3.85	4.50	7.81	12.31	2.74	1.67	5.20	1.333
M1145040.00	170	43	1/6	235	13F10-38F	10	3.85	4.50	7.81	12.31	2.74	1.67	5.20	1.333
M1145041.00	340	23	1/6	235	13F05-38F	5	3.85	4.50	7.81	12.31	2.74	1.67	5.20	1.333
M1145082.00	57	95	1/6	235	13F30-38F	30	3.85	4.50	7.81	12.31	2.74	1.67	5.20	1.333

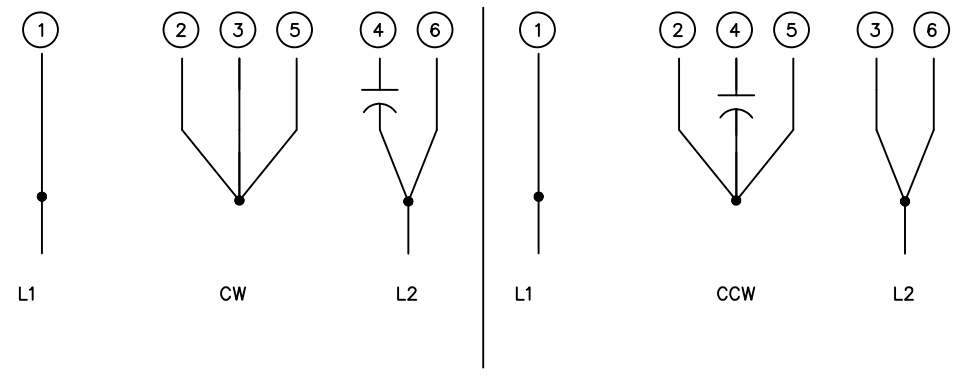
				TOLERANCES UNLESS SPECIFIED		LEESON ELECTRIC MOTORS GEARMOTORS AND DRIVES	DRAWN SPV 02/13/95
08	CHANGED TO DIE CAST GEARBOX PER ECN 06-3024.	RPB 7/13/06	BC	DEC.	INCHES		CHK
07	CORRECTED VIEW "Z-Z" PER OTHER TWO VIEWS	BPW 03/15/02		.X	±.1	APPD	
PER ECR 73469				.XX	±.03	TITLE	SCALE 1=2
06	ADDED CATALOG NUMBER M1145082.00 AND	SAD 01/13/99		.XXX	±.005	38 FRAME A.C. RIGHT ANGLE GEARMOTOR	REF
UPDATED F.L. TORQUE TO MATCH THE CATALOG				.XXXX	±.0005	MAT'L	FMF
NO.	REVISION	BY & DATE	CHK	ANG	±1/2"	FINISH	PREV
THIS DRAWING IN DESIGN AND DETAIL IS OUR PROPERTY AND MUST NOT BE USED EXCEPT IN CONNECTION WITH OUR WORK ALL RIGHTS OF DESIGN AND INVENTION ARE RESERVED THIS IS AN ELECTRONICALLY GENERATED DOCUMENT - DO NOT SCALE THIS PRINT						CAD FILE	M1030422
						SIZE	DRAWING NO.
						B	M1030422.00
						REV.	08

M1005040.02

COLORED LEADS

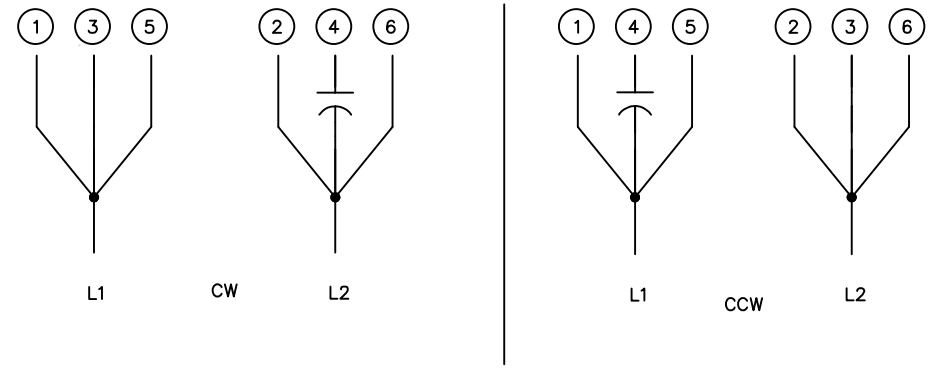


HIGH VOLTAGE CONNECTIONS



ROTATION VIEWING LEAD END OF MOTOR

LOW VOLTAGE CONNECTIONS



ROTATION VIEWING LEAD END OF MOTOR

TOLERANCES UNLESS OTHERWISE SPECIFIED

DECIMALS

.00 ± .01

.000 ± .005

.0000 ± .0005

FRACTIONS ± 1/64

ANGLES ± 1/2°

INCH/MM

LEESON ELECTRIC CORPORATION

DRAWN DK
CH'K'D. 10/3/91

TITLE
EXTERNAL WIRING DIAGRAM
DUAL VOLTAGE DUAL ROTATION

APPR. 10/3/91

MAT'L.

SCALE NONE

REF. FMF PR91376

FINISH
LECO CORP.

SIZE
A

DRAWING NO.
M1005040.02

THIS DRAWING IN DESIGN AND DETAIL IS OUR PROPERTY AND MUST NOT BE USED EXCEPT IN CONNECTION WITH OUR WORK ALL RIGHTS OF DESIGN AND INVENTION ARE RESERVED

NO.	REVISION	BY	DATE
02	REDRAWN ON CAD	AJR	6/28/99
01	REMOVED CAP FROM LEFT DIAGRAM	DD	9/16/95