

# PRODUCT INFORMATION PACKET



Model No: CM38P17FZ11C

Catalog No: M1145032.00

..1/6HP..40RPM.38.TEFC.115/230V.1PH.60HZ.....CM38P17FZ11C.P240...43:1.AC  
GEARMOTORS..219LBIN.....

P240 Series



Regal and Leeson are trademarks of Regal Beloit Corporation or one of its affiliated companies.

©2018 Regal Beloit Corporation, All Rights Reserved. MC017097E





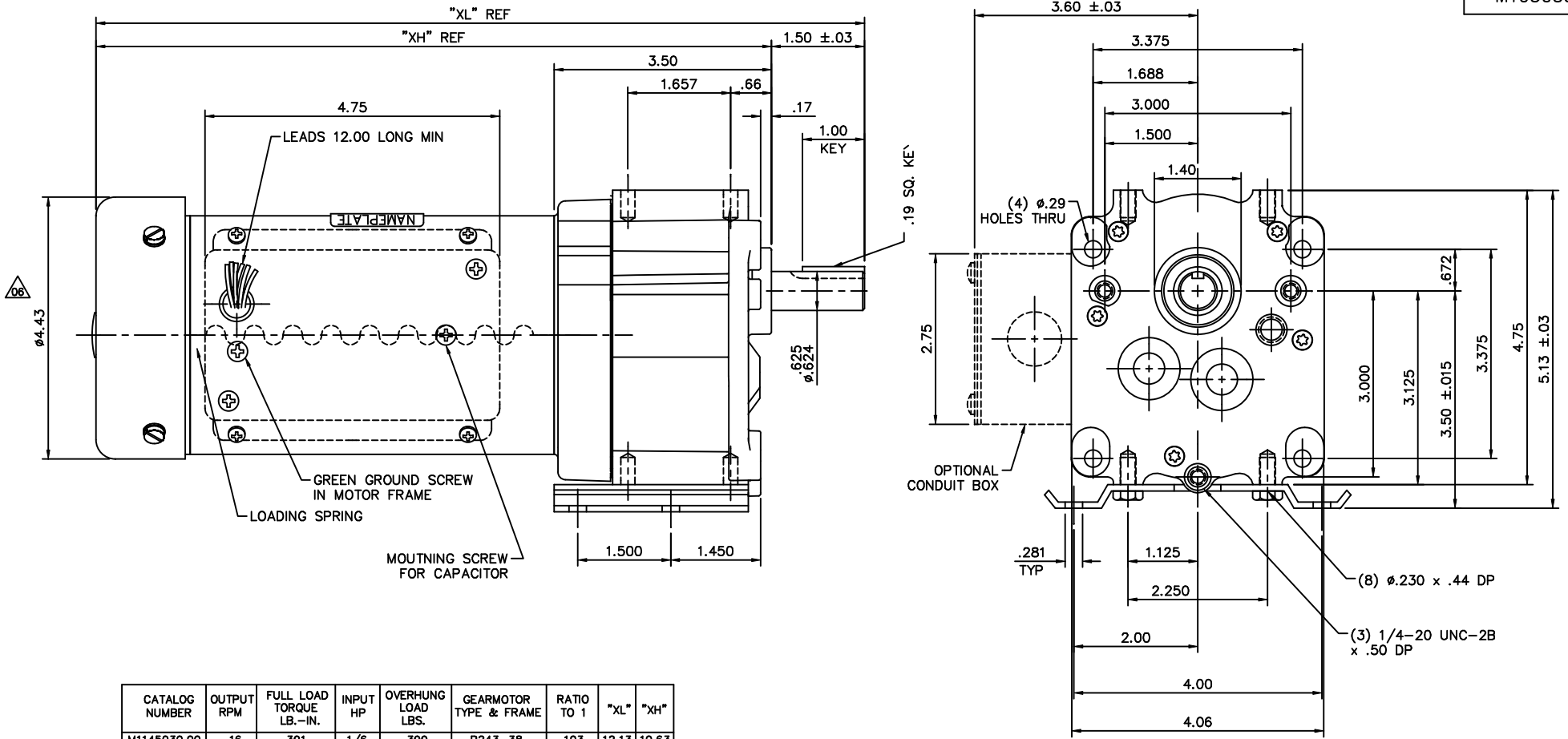
### Nameplate Specifications

Output HP	<b>0.16 Hp</b>	Output KW	<b>0.12 kW</b>
Frequency	<b>60 Hz</b>	Voltage	<b>110 V</b>
Current	<b>2.0/1.0 A</b>	Speed	<b>40 rpm</b>
Service Factor	<b>1</b>	Phase	<b>1</b>
Duty	<b>Continuous</b>	Insulation Class	<b>F</b>
KVA Code	<b>D</b>	Frame	<b>38</b>
Enclosure	<b>Totally Enclosed Fan Cooled</b>	Overload Protector	<b>No</b>
Ambient Temperature	<b>40 °C</b>	Drive End Bearing Size	<b>6201</b>
Opp Drive End Bearing Size	<b>6201</b>	UL	<b>Recognized</b>
CSA	<b>Y</b>	CE	<b>Y</b>

### Technical Specifications

Rotation	<b>Reversible</b>	Mounting	<b>Special</b>
Shaft Type	<b>Parallel</b>	Overall Length	<b>12.13 in</b>
Frame Length	<b>5.88 in</b>	Shaft Diameter	<b>0.625 in</b>
Shaft Extension	<b>1.5 in</b>		
Outline Drawing	<b>M1030381</b>	Connection Diagram	<b>M1005040.02</b>

This is an uncontrolled document once printed or downloaded and is subject to change without notice. Date Created: 10/15/2018

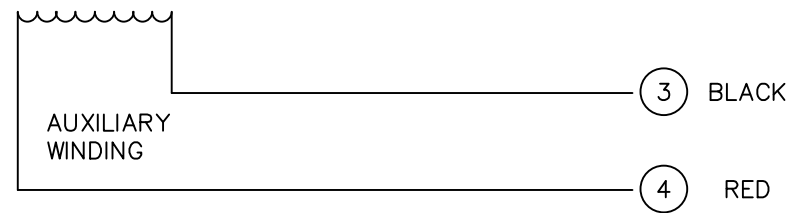
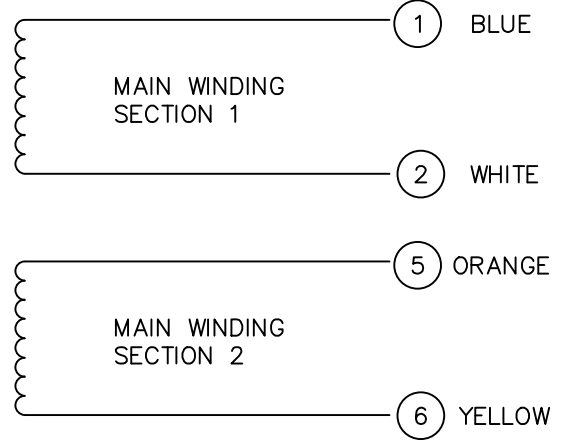
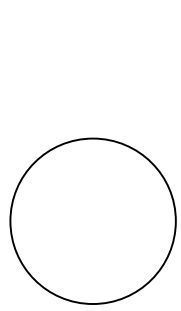


CATALOG NUMBER	OUTPUT RPM	FULL LOAD TORQUE LB.-IN.	INPUT HP	OVERHUNG LOAD LBS.	GEARMOTOR TYPE & FRAME	RATIO TO 1	"XL"	"XH"
M1145030.00	16	391	1/6	399	P243-38	103	12.13	10.63
M1145031.00	30	295	1/6	330	P243-38	58	12.13	10.63
M1145032.00	40	219	1/6	303	P243-38	43	12.13	10.63
M1145033.00	60	157	1/6	268	P242-38	29	12.13	10.63
M1145034.00	90	103	1/6	237	P242-38	19	12.13	10.63
M1145035.00	156	60	1/6	201	P242-38	10.6	12.13	10.63

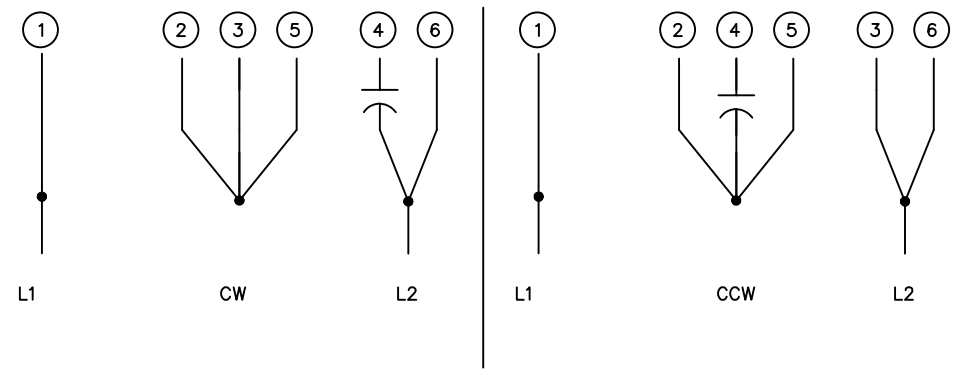
07	EXTENDED 3 PT MOUNTING HOLES .14" TO MAKE FLUSH	RLW 6/25/02		TOLERANCES UNLESS SPECIFIED	<b>LEESON</b> ELECTRIC MOTORS GEARMOTORS AND DRIVES	DRAWN DWF 10/03/94
06	ADDED FANGUARD DIM	BPW 12/19/01	DEC.	INCHES		CHK
05	REV'D NAMEPLATE APPEARANCE FOR ASEMBLY	BJB 12/11/01	DWF	.X ±.1	APPD SPV 10/03/94	
CLARITY PER ECR 65231				.XX ±.03	TITLE	SCALE 5-8
04	3.50 WAS 3.562, 5.13 WAS 5.19	SPV 04/28/97		.XXX ±.005	OUTLINE DRAWING	REF
03	ADDED FLAT TO FAN SHROUD	DWF 09/23/96		.XXXX ±.0005	P240 GEARMOTOR - 38 FRAME A.C.	FMF M1145030
NO.	REVISION	BY & DATE	CHK	ANG ±1/2"	MAT'L	PREV
THIS DRAWING IN DESIGN AND DETAIL IS OUR PROPERTY AND MUST NOT BE USED EXCEPT IN CONNECTION WITH OUR WORK ALL RIGHTS OF DESIGN AND INVENTION ARE RESERVED THIS IS AN ELECTRONICALLY GENERATED DOCUMENT - DO NOT SCALE THIS PRINT					RFP	CAD FILE M1030381
					FINISH	SIZE B
					DIST	DRAWING NO. M1030381
						REV. 07

M1005040.02

COLORED LEADS

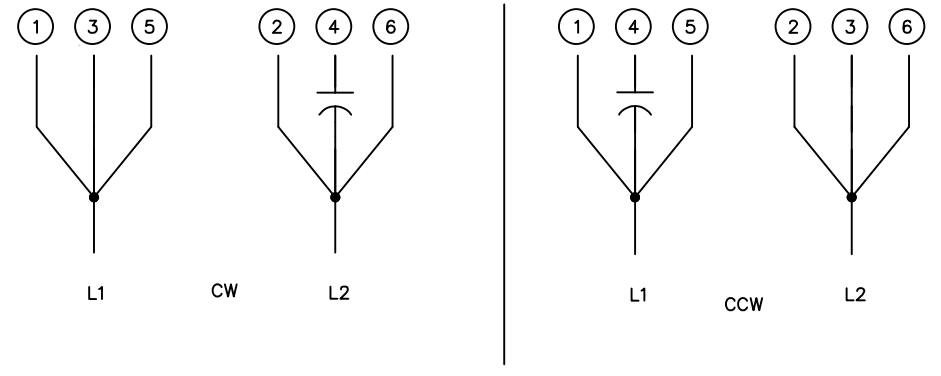


HIGH VOLTAGE CONNECTIONS



ROTATION VIEWING LEAD END OF MOTOR

LOW VOLTAGE CONNECTIONS



ROTATION VIEWING LEAD END OF MOTOR

				TOLERANCES UNLESS OTHERWISE SPECIFIED		<b>LEESON</b> ELECTRIC CORPORATION				
				DECIMALS						
				.00	± .01	DRAWN	DK	TITLE EXTERNAL WIRING DIAGRAM DUAL VOLTAGE DUAL ROTATION		
02	REDRAWN ON CAD	AJR	6/28/99	.000	± .005	CH'K'D.	10/3/91			
01	REMOVED CAP FROM LEFT DIAGRAM	DD	9/16/95	.0000	± .0005	APPR.	10/3/91	MAT'L.		
NO.	REVISION	BY	DATE	FRACTIONS	± 1/64	SCALE	NONE			
THIS DRAWING IN DESIGN AND DETAIL IS OUR PROPERTY AND MUST NOT BE USED EXCEPT IN CONNECTION WITH OUR WORK ALL RIGHTS OF DESIGN AND INVENTION ARE RESERVED				ANGLES	± 1/2°	REF.		FINISH	SIZE A	DRAWING NO. M1005040.02
				INCH/MM		FMF	PR91376	LECO CORP.		