

PRODUCT INFORMATION PACKET



Model No: CM38T17NK2A
Catalog No: M1140173.00
..1/6HP..1725RPM.38.TENV.230V.3PH.60HZ.....INVERTER RATED.....
10:1 Speed Ratio



Regal and Leeson are trademarks of Regal Beloit Corporation or one of its affiliated companies.
©2018 Regal Beloit Corporation, All Rights Reserved. MC017097E





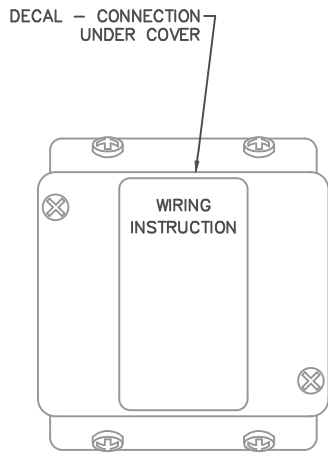
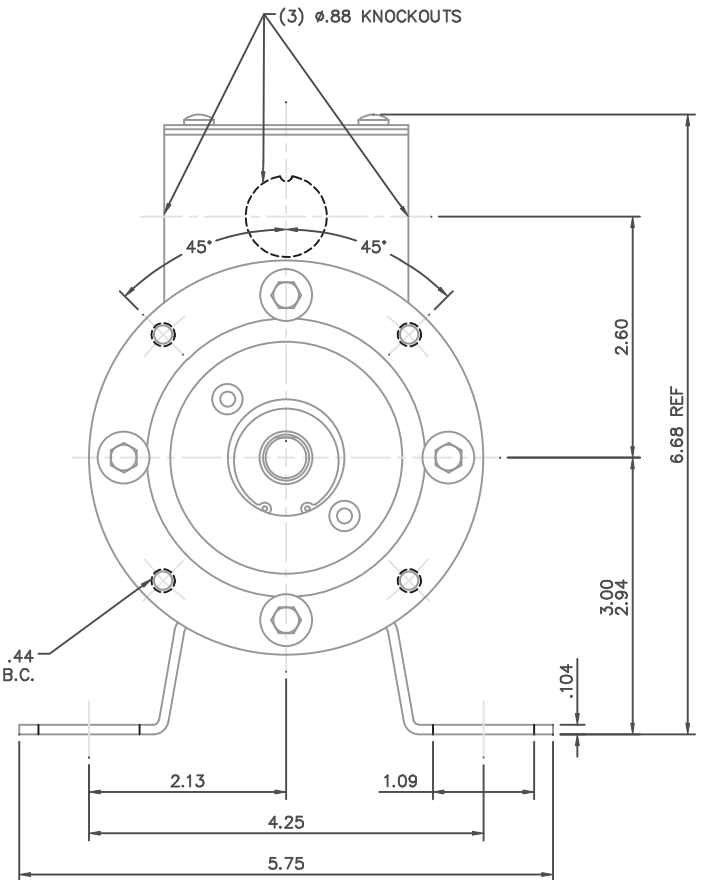
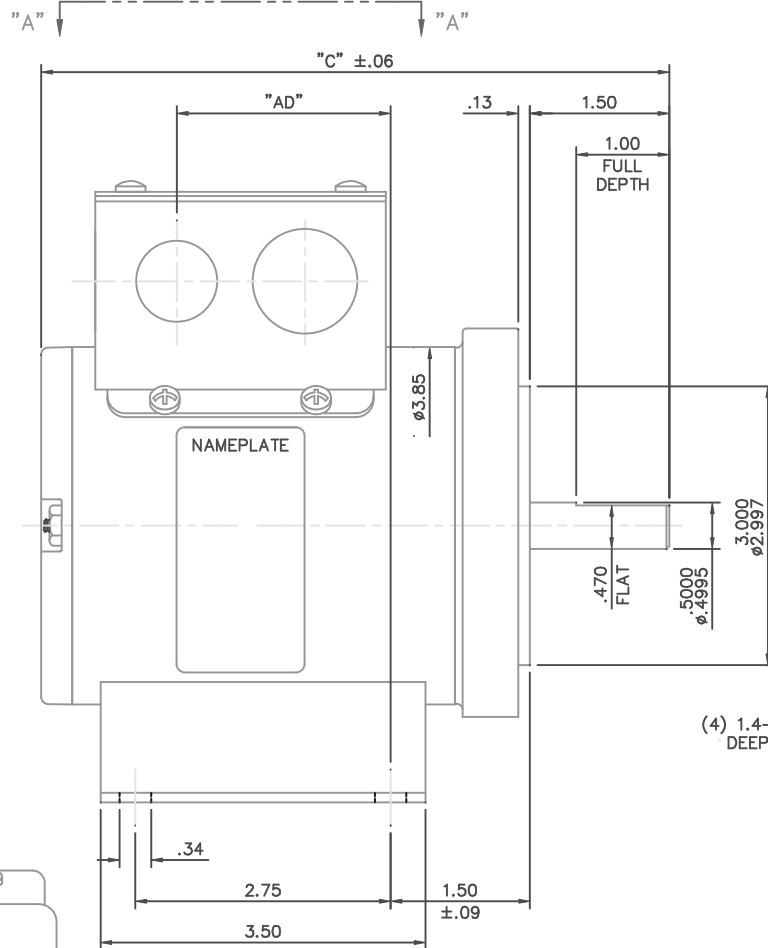
Nameplate Specifications

| | | | |
|----------------------------|--|------------------------|-----------------------|
| Output HP | 0.17 Hp | Output KW | 0.13 kW |
| Frequency | 60 Hz | Voltage | 208-230 V |
| Current | 0.72 A | Speed | 1725 rpm |
| Service Factor | 1 | Phase | 3 |
| Efficiency | 67.5 % | Duty | Continuous |
| Insulation Class | F | Design Code | NO DESIGN CODE |
| KVA Code | J | Frame | S48C |
| Enclosure | Totally Enclosed Non Ventilated | Overload Protector | No |
| Ambient Temperature | 40 °C | Drive End Bearing Size | 6201 |
| Opp Drive End Bearing Size | 608 | UL | Recognized |
| CSA | Y | CE | N |
| IP Code | 43 | | |

Technical Specifications

| | | | |
|-----------------------|------------------------------------|-----------------------|------------------------|
| Electrical Type | Squirrel Cage Induction Run | Starting Method | Across The Line |
| Poles | 4 | Rotation | Reversible |
| Mounting | Rigid base | Motor Orientation | HORIZONTAL |
| Drive End Bearing | BALL | Opp Drive End Bearing | BALL |
| Frame Material | Rolled Steel | Shaft Type | NEMA 48 |
| Overall Length | 7.77 in | Frame Length | 5.13 in |
| Shaft Diameter | 0.500 in | Shaft Extension | 1.5 in |
| Assembly/Box Mounting | F1 ONLY | | |
| Outline Drawing | M1030995 | Connection Diagram | 005102.01 |

This is an uncontrolled document once printed or downloaded and is subject to change without notice. Date Created: 10/15/2018



VIEW "A"-"A"

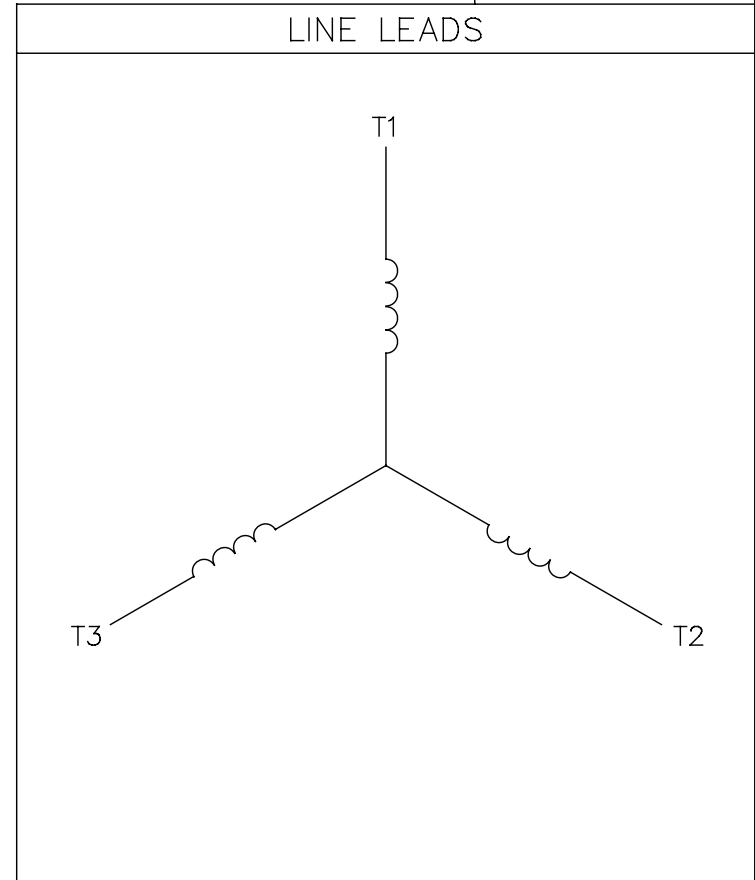
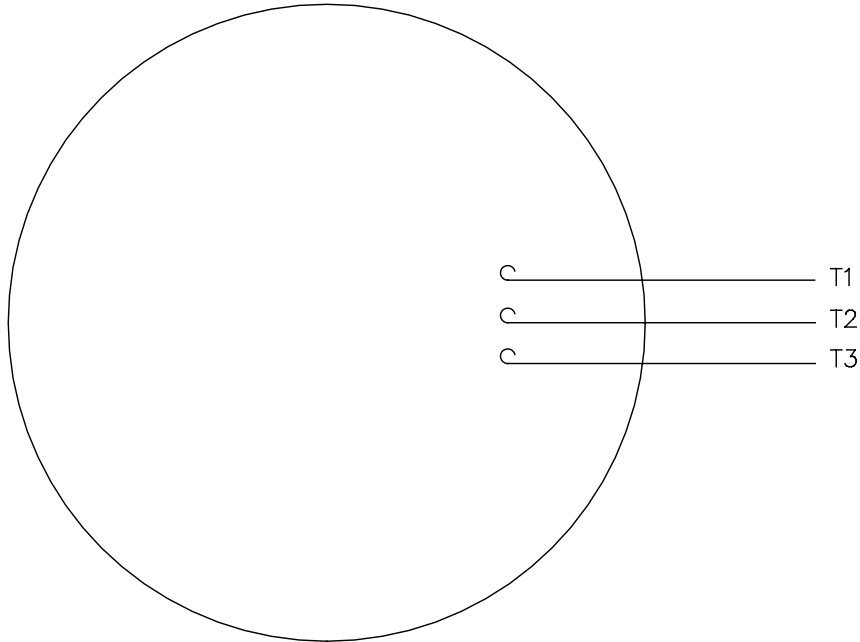
| DASH No. | "C" | "AD" |
|----------|------|------|
| 413 | 6.77 | 2.30 |
| 513 | 7.77 | 3.30 |
| 563 | 8.27 | 3.80 |

MAXIMUM FACE RUNOUT TO BE .004 T.I.R.
 MAXIMUM PILOT ECCENTRICITY .004 T.I.R.
 PERMISSIBLE SHAFT RUNOUT TO BE .002 T.I.R.

| NO. | | REVISION | BY & DATE | CHK | ANG | ±1/2" | FINISH | LEESON ELECTRIC MOTORS GEARMOTORS AND DRIVES | | DRAWN | RDW 5/19/05 |
|--|--|----------|-----------|------|---------|----------|----------|--|--|-------|-------------|
| THIS DRAWING IN DESIGN AND DETAIL IS OUR PROPERTY AND MUST NOT BE USED EXCEPT IN CONNECTION WITH OUR WORK ALL RIGHTS OF DESIGN AND INVENTION ARE RESERVED THIS IS AN ELECTRONICALLY GENERATED DOCUMENT - DO NOT SCALE THIS PRINT | | | | RFP | 5/19/05 | CAD FILE | M1030995 | SIZE | DRAWING NO. | B | M1030995 |
| | | | | DIST | | | | TITLE | OUTLINE - S48C FRAME A.C. TENV - RIGID "C" | APPD | SW 5/19/05 |
| | | | | | | | | MAT'L | | SCALE | 3=4 |
| | | | | | | | | REF | PR040174 | FMF | |
| | | | | | | | | PREV | | REV. | |

005102-01

VIEW FROM OUTSIDE OF MOTOR AT SWITCH END.



CONNECT LEADS AS FOLLOWS
FOR FOUR CONDUCTOR CORD ()

| | | | | |
|-------|-------------|---------------|---------------|---------|
| CORD | L1 (RED) | L2 (WHITE) | L3 (BLACK) | (GREEN) |
| MOTOR | T1 | T2 | T3 | GROUND |

| | | | | | | | | | | |
|--|------------------------------------|--------------|-----|--------------------------------|--------|--|--|-----------------------|-------------|-------------|
| | | | | TOLERANCES UNLESS SPECIFIED | | REGAL™ Regal Beloit America, Inc. | | DRAWN JRW 9/11/75 | | |
| | | | | DEC. | INCHES | | | CHK | | |
| | | | | .X | ±.1 | | | APPD JCW 9/11/75 | | |
| 08 | UPDATED TO REGAL LOGO | SAJ 06/26/15 | AJY | .XX | ±.01 | TITLE EXTERNAL WIRING DIAGRAM TYPE "T" W/O PROTECTOR | | SCALE 1=1 | | |
| 07 | UPDATED TO CURRENT STANDARDS | DBT 5/30/97 | | .XXX | ±.005 | | | REF W-T6343-6 | | |
| 06 | REDRAWN ON CAD; ADDED DECAL NUMBER | SAW 1/24/95 | | .XXXX | ±.0005 | | | MAT'L. DECAL - 004169 | | FMF 6T17FB7 |
| NO. | REVISION | BY & DATE | CHK | ANG | ±1/2" | FINISH | | PREV | | |
| THIS DRAWING IN DESIGN AND DETAIL IS OUR PROPERTY AND MUST NOT BE USED EXCEPT IN CONNECTION WITH OUR WORK ALL RIGHTS OF DESIGN AND INVENTION ARE RESERVED THIS IS AN ELECTRONICALLY GENERATED DOCUMENT - DO NOT SCALE THIS PRINT | | | | RFP | 5/1/02 | CAD FILE 00510201 | | SIZE | DRAWING NO. | REV. |
| | | | | DIST BRF-NLV | | | | A | 005102-01 | 08 |

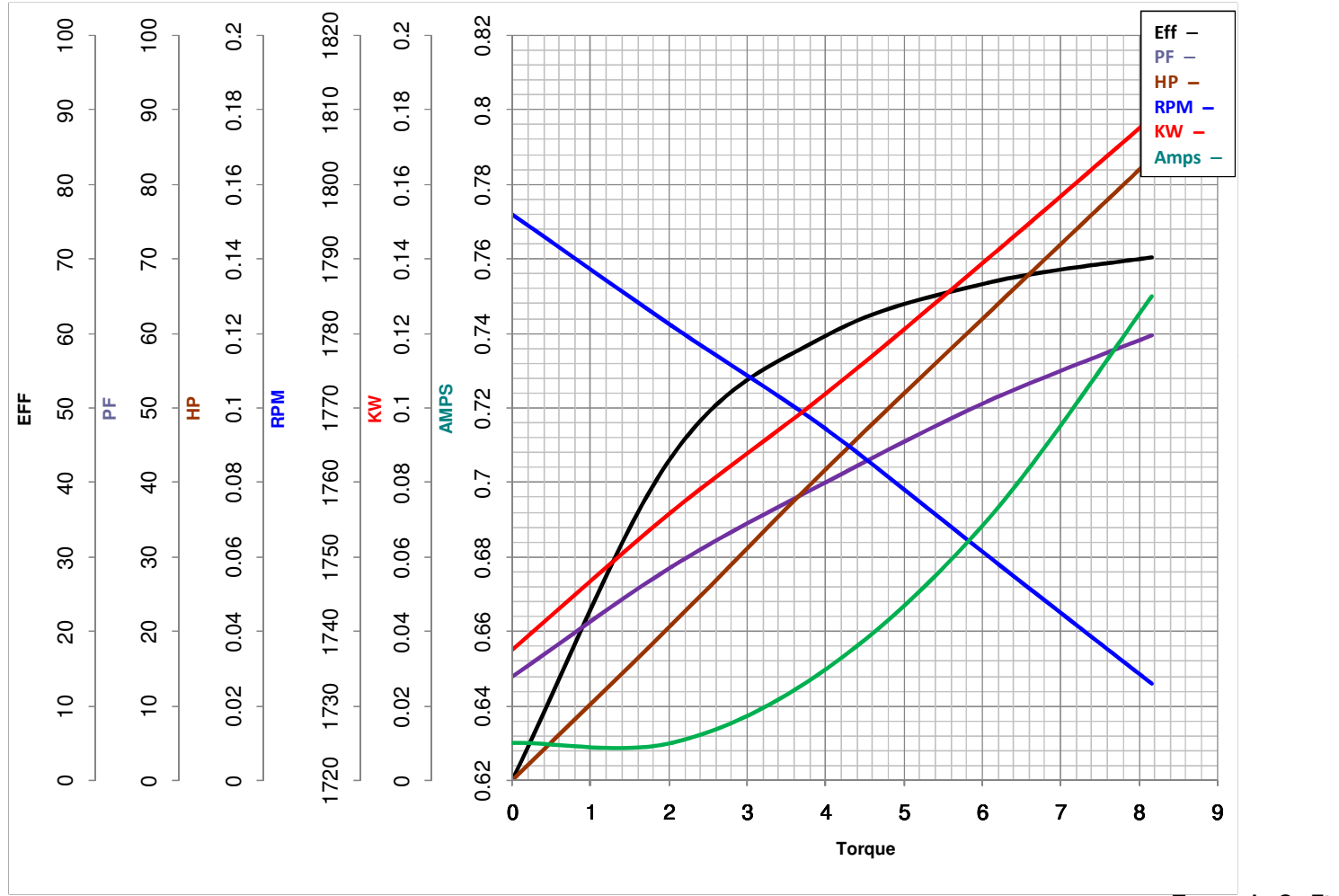


LEESON ELECTRIC CORPORATION
TYPICAL PERFORMANCE CURVE for AC MOTOR

Model No M1140173.00

Catalog No M1140173.00

Curve at 460 Volts HP 0.167 PHASE 3
60 HZ
0.167 HP VOLTS 208-230
HZ 60 RPM 1725



| | | | |
|------------------|--------------------|------------------|-------------------|
| FL TORQUE | <u>8.16</u> Oz.Ft | FL AMPS | <u>0.72</u> |
| BD TORQUE | <u>29.6</u> Oz.Ft | PU TORQUE | <u>27.3</u> Oz.Ft |
| LR TORQUE | <u>27.66</u> Oz.Ft | LR AMPS | <u>3.8</u> |
| WINDING | MT38420-1 | Date | 5/25/2018 |