

PRODUCT INFORMATION PACKET



Model No: CM38T17FK3A
Catalog No: M1140172.00
..1/4HP..1725RPM.38.TEFC.230V.3PH.60HZ.....INVERTER RATED.....
10:1 Speed Ratio



Regal and Leeson are trademarks of Regal Beloit Corporation or one of its affiliated companies.
©2018 Regal Beloit Corporation, All Rights Reserved. MC017097E





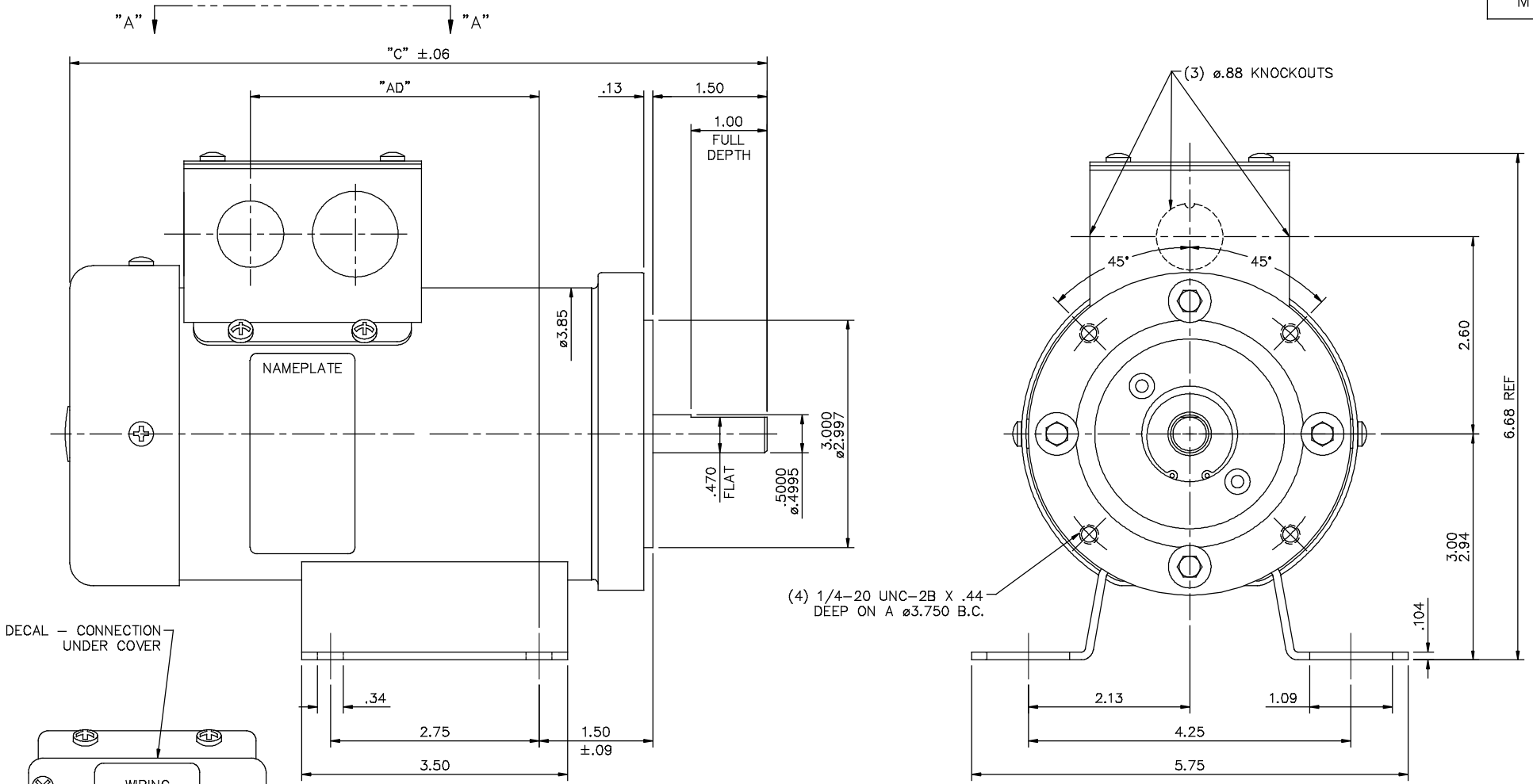
Nameplate Specifications

Output HP	0.25 Hp	Output KW	0.19 kW
Frequency	60 Hz	Voltage	230 V
Current	1.1 A	Speed	1725 rpm
Service Factor	1	Phase	3
Efficiency	71.5 %	Duty	Continuous
Insulation Class	F	Design Code	NO DESIGN CODE
KVA Code	K	Frame	S48C
Enclosure	Totally Enclosed Fan Cooled	Overload Protector	No
Ambient Temperature	40 °C	Drive End Bearing Size	6201
Opp Drive End Bearing Size	6201	UL	Recognized
CSA	Y	CE	N
IP Code	54		

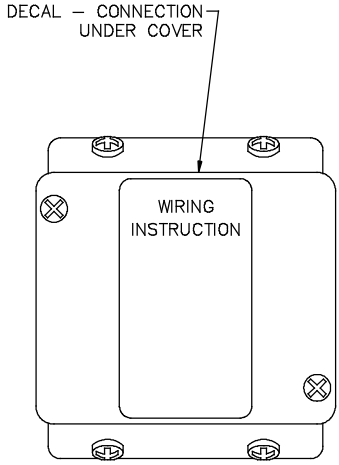
Technical Specifications

Electrical Type	Squirrel Cage Induction Run	Starting Method	Across The Line
Poles	4	Rotation	Reversible
Mounting	Rigid base	Motor Orientation	HORIZONTAL
Drive End Bearing	BALL	Opp Drive End Bearing	BALL
Frame Material	Rolled Steel	Shaft Type	NEMA 48
Overall Length	9.19 in	Frame Length	5.63 in
Shaft Diameter	0.500 in	Shaft Extension	1.5 in
Assembly/Box Mounting	F3		
Outline Drawing	M1030996-563	Connection Diagram	005102.01

This is an uncontrolled document once printed or downloaded and is subject to change without notice. Date Created: 10/15/2018



MAXIMUM FACE RUNOUT TO BE .004 T.I.R.
 MAXIMUM PILOT ECCENTRICITY .004 T.I.R.
 PERMISSIBLE SHAFT RUNOUT TO BE .002 T.I.R.



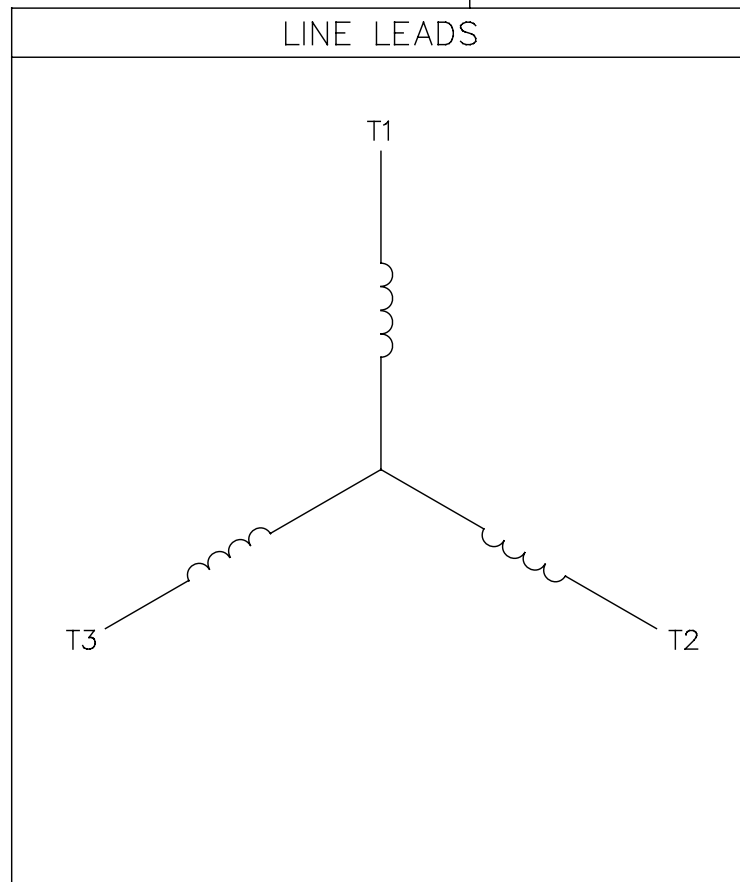
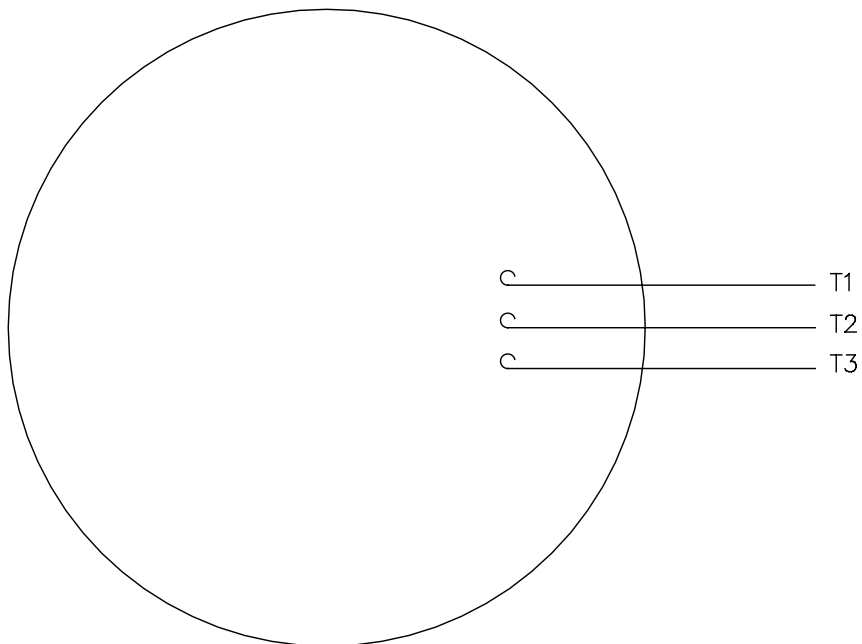
DASH NO.	"C"	"AD"
413	7.68	2.30
513	8.68	3.30
563	9.18	3.80

TOLERANCES UNLESS SPECIFIED		DEC.		INCHES		LEESON	ELECTRIC MOTORS GEARMOTORS AND DRIVES	DRAWN	RDW	5/26/05
.X	±.1	.XX	±.03	.XXX	±.005			TITLE	OUTLINE - S4BC FRAME A.C. TEFC - RIGID "C"	CHK
.XXX	±.005	.XXXX	±.0005	MAT'L		SCALE	3=4	REF	PR040176	
NO.	REVISION	BY & DATE	CHK	ANG	±1/2"	FINISH		FMF		
			RFP	5/26/05	CAD FILE	M1030996	SIZE	DRAWING NO.		REV.
			DIST				B	M1030996		

THIS DRAWING IN DESIGN AND DETAIL IS OUR PROPERTY AND MUST NOT BE USED EXCEPT IN CONNECTION WITH OUR WORK ALL RIGHTS OF DESIGN AND INVENTION ARE RESERVED THIS IS AN ELECTRONICALLY GENERATED DOCUMENT - DO NOT SCALE THIS PRINT

005102-01

VIEW FROM OUTSIDE OF MOTOR AT SWITCH END.



CONNECT LEADS AS FOLLOWS
FOR FOUR CONDUCTOR CORD ()

CORD	L1 (RED)	L2 (WHITE)	L3 (BLACK)	(GREEN)
MOTOR	T1	T2	T3	GROUND

				TOLERANCES UNLESS SPECIFIED		REGAL ™ Regal Beloit America, Inc.		DRAWN JRW 9/11/75		
				DEC.	INCHES			CHK		
				.X	±.1			APPD JCW 9/11/75		
08	UPDATED TO REGAL LOGO	SAJ 06/26/15	AJY	.XX	±.01	TITLE EXTERNAL WIRING DIAGRAM TYPE "T" W/O PROTECTOR		SCALE 1=1		
07	UPDATED TO CURRENT STANDARDS	DBT 5/30/97		.XXX	±.005			REF W-T6343-6		
06	REDRAWN ON CAD; ADDED DECAL NUMBER	SAW 1/24/95		.XXXX	±.0005			FMF 6T17FB7		
NO.	REVISION	BY & DATE	CHK	ANG	±1/2"	FINISH		PREV		
THIS DRAWING IN DESIGN AND DETAIL IS OUR PROPERTY AND MUST NOT BE USED EXCEPT IN CONNECTION WITH OUR WORK ALL RIGHTS OF DESIGN AND INVENTION ARE RESERVED THIS IS AN ELECTRONICALLY GENERATED DOCUMENT - DO NOT SCALE THIS PRINT				RFP	5/1/02	CAD FILE 00510201		SIZE	DRAWING NO.	REV.
				DIST BRF-NLV				A	005102-01	08

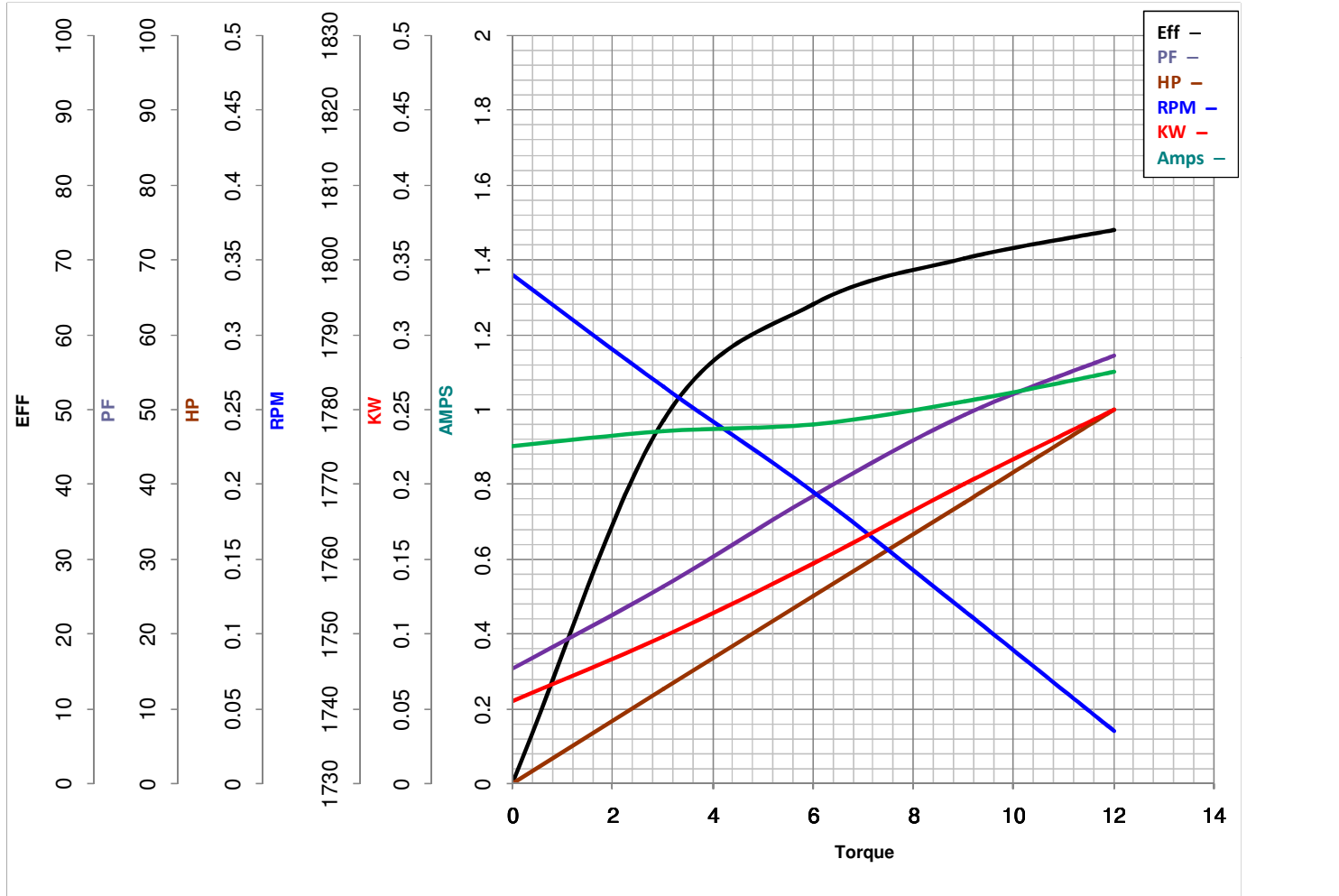


Model No M1140172.00

Catalog No M1140172.00

LEESON ELECTRIC CORPORATION
TYPICAL PERFORMANCE CURVE for AC MOTOR

Curve at 460 Volts HP 0.25 PHASE 3
60 HZ
0.25 HP VOLTS 230
 HZ 60 RPM 1725



FL TORQUE	<u>12</u>	Oz.Ft	FL AMPS	<u>1.1</u>	
BD TORQUE	<u>49.0</u>	Oz.Ft	PU TORQUE	<u>46.0</u>	Oz.Ft
LR TORQUE	<u>47</u>	Oz.Ft	LR AMPS	<u>6</u>	
WINDING	MT38432-1		Date	5/22/2018	