

PRODUCT INFORMATION PACKET



Model No: CM34D17NZ32A

Catalog No: M1135293.00

512.RT ANGLE.1.2.7:1.250RPM.46LBIN.1/4HP.34..WORM.DC GEARMOTORS SER. 12 SUB-FHP.12V.DC.TENV.CM34D17NZ32A

Right Angle



Regal and Leeson are trademarks of Regal Beloit Corporation or one of its affiliated companies.

©2018 Regal Beloit Corporation, All Rights Reserved. MC017097E





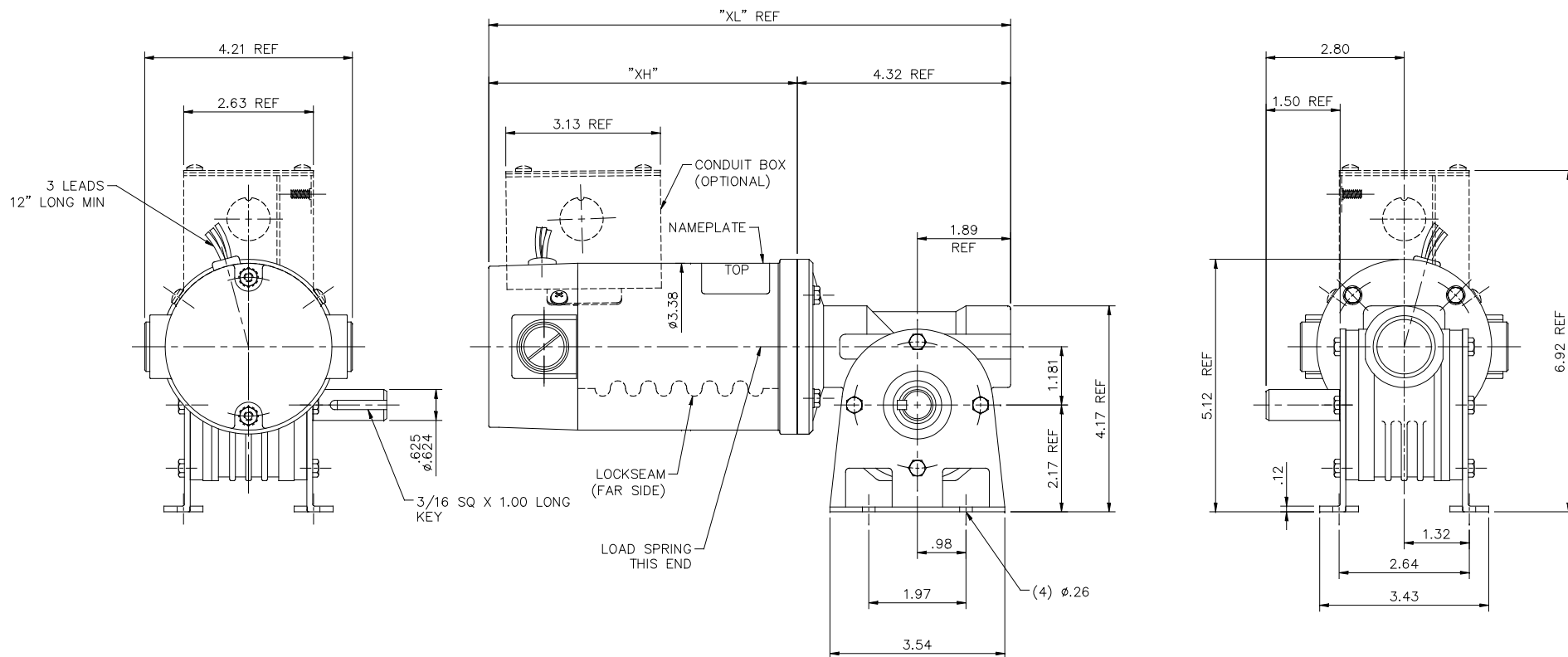
Nameplate Specifications

Output HP	0.25 Hp	Output KW	0.19 kW
Voltage	12 V	Current	23.0 A
Speed	250 rpm	Service Factor	1
Efficiency	51.7 %	Duty	Continuous
Insulation Class	H	Frame	34
Enclosure	Totally Enclosed Non Ventilated	Overload Protector	No
Ambient Temperature	40 °C	Drive End Bearing Size	6201
Opp Drive End Bearing Size	608	UL	Recognized
CSA	Y	CE	N

Technical Specifications

Rotation	Reversible	Mounting	Special
Shaft Type	Right Angle	Overall Length	11.82 in
Frame Length	5.31 in	Shaft Diameter	0.625 in
Shaft Extension	1.5 in		
Outline Drawing	M1030894-M1135293	Connection Diagram	M100514301

This is an uncontrolled document once printed or downloaded and is subject to change without notice. Date Created: 10/15/2018

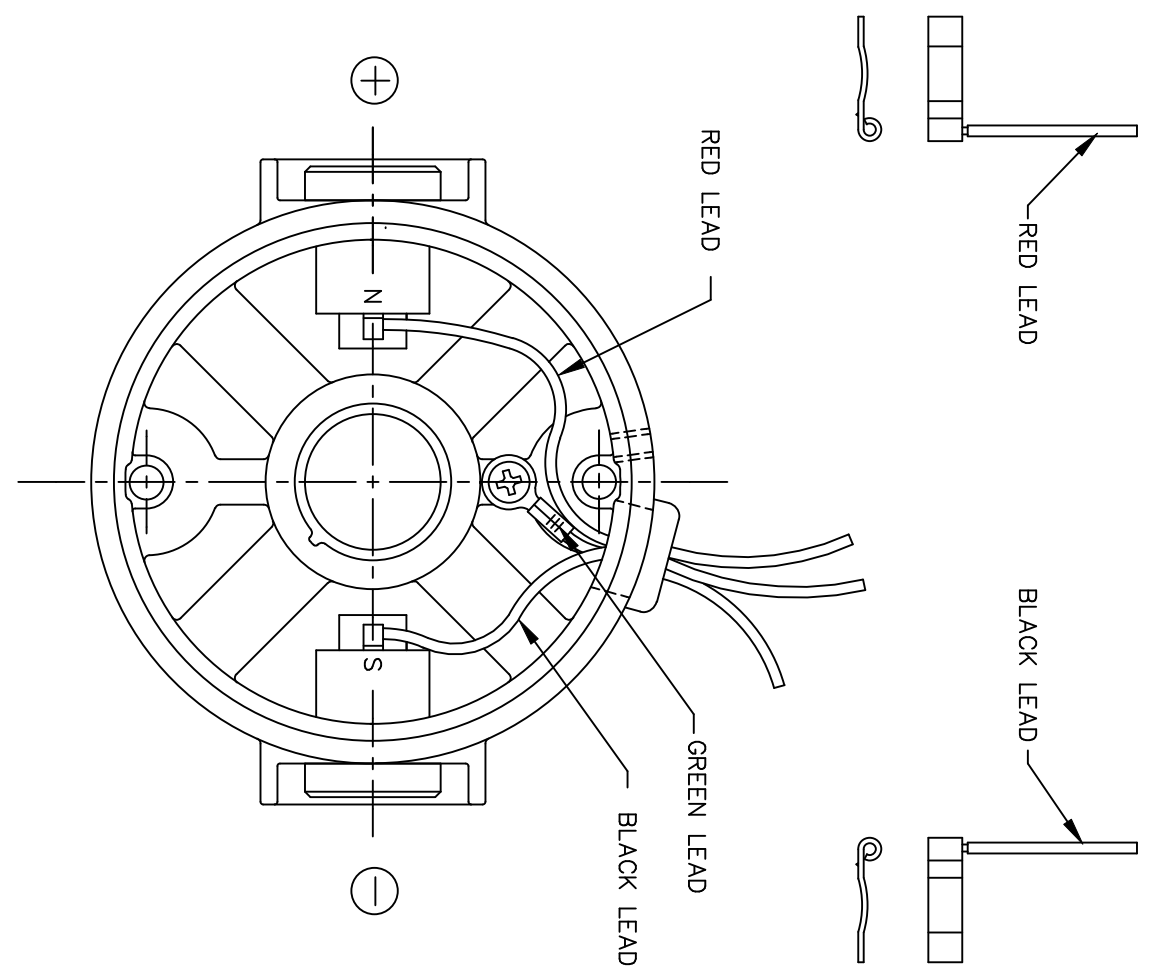


CATALOG NUMBER	OUTPUT RPM	FULL LOAD TORQUE LB.-IN.	F.L. AMPS	INPUT HP	RATIO TO 1	"XL"	"XH"
M1135284.00	45	94	15	1/8	39	10.57	6.25
M1135285.00	27	134	14	1/8	61	10.57	6.25
M1135293.00	250	46	23	1/4	7	11.82	7.50
M1135294.00	167	61	21	1/4	10.6	11.82	7.50
M1135295.00	115	85	23	1/4	15	11.82	7.50
M1135296.00	90	100	24	1/4	19	11.82	7.50
M1135297.00	58	158	24	1/4	30	11.82	7.50

TOLERANCES UNLESS SPECIFIED		LEESON	ELECTRIC MOTORS GEARMOTORS AND DRIVES	DRAWN	SMB	08/13/03
DEC.	INCHES			CHK	IPG	08/13/03
.X	±.1			APPD		
.XX	±.03	TITLE	OUTLINE - 34 FRAME DC	SCALE	1=2	
.XXX	±.005		512 BRAVO GEARBOX - 12V	REF	PRO30240	
.XXXX	±.0005	MAT'L.		FMF	M1135284.00	
NO.	REVISION	BY & DATE	FINISH	PREV		
			CAD FILE	M1030894	SIZE	DRAWING NO.
			RFP		B	M1030894
			DIST			P

THIS DRAWING IN DESIGN AND DETAIL IS OUR PROPERTY AND MUST NOT BE USED EXCEPT IN CONNECTION WITH OUR WORK ALL RIGHTS OF DESIGN AND INVENTION ARE RESERVED THIS IS AN ELECTRONICALLY GENERATED DOCUMENT - DO NOT SCALE THIS PRINT

D.C. MOTORS



EXTERNAL CONNECTIONS FOR CW ROTATION
 VIEWING LEAD END OF MOTOR WITH RED LEAD
 POSITIVE AND BLACK LEAD NEGATIVE (-)
 FOR CCW ROTATION REVERSE POLARITY

				TOLERANCES UNLESS OTHERWISE SPECIFIED		LEESON ELECTRIC CORPORATION			
				DECIMALS					
03	CORRECTED "N" AND "S", ECR 80000 (PER B.C.)	VS	08/15/02	.00	± .01	DRAWN DWF 3/26/93	TITLE CONNECTION DIAGRAM		
02	ROTATED DETAIL VIEWS OF LEADS	SAD	2/4/98	.000	± .005	CH'K'D.			
01	REVERSE ROTATION WAS CW	SPV	6/3/94	.0000	± .0005	APPR.	MAT'L.		
NO.	REVISION	BY	DATE	FRACTIONS	± 1/64	SCALE 1=1			
THIS DRAWING IN DESIGN AND DETAIL IS OUR PROPERTY AND MUST NOT BE USED EXCEPT IN CONNECTION WITH OUR WORK ALL RIGHTS OF DESIGN OR INVENTION ARE RESERVED				ANGLES	± 1/2'	REF. M1005124	FINISH LEESON	SIZE A	DRAWING NO.
				INCH/MM		FMF M1125046	STOCK		M1005143-01

```
ERROR: syntaxerror
OFFENDING COMMAND: --nostringval--
STACK:
/p2e
-savelevel-
```