

PRODUCT INFORMATION PACKET



Model No: CM34D17NZ30A

Catalog No: M1135291.00

512.RT ANGLE.1.2.39:1.45RPM.87LBIN.1/8HP.34..WORM.DC GEARMOTORS SER. 12 SUB-
FHP.90V.DC.TENV.CM34D17NZ30A

Right Angle



Regal and Leeson are trademarks of Regal Beloit Corporation or one of its affiliated companies.

©2018 Regal Beloit Corporation, All Rights Reserved. MC017097E





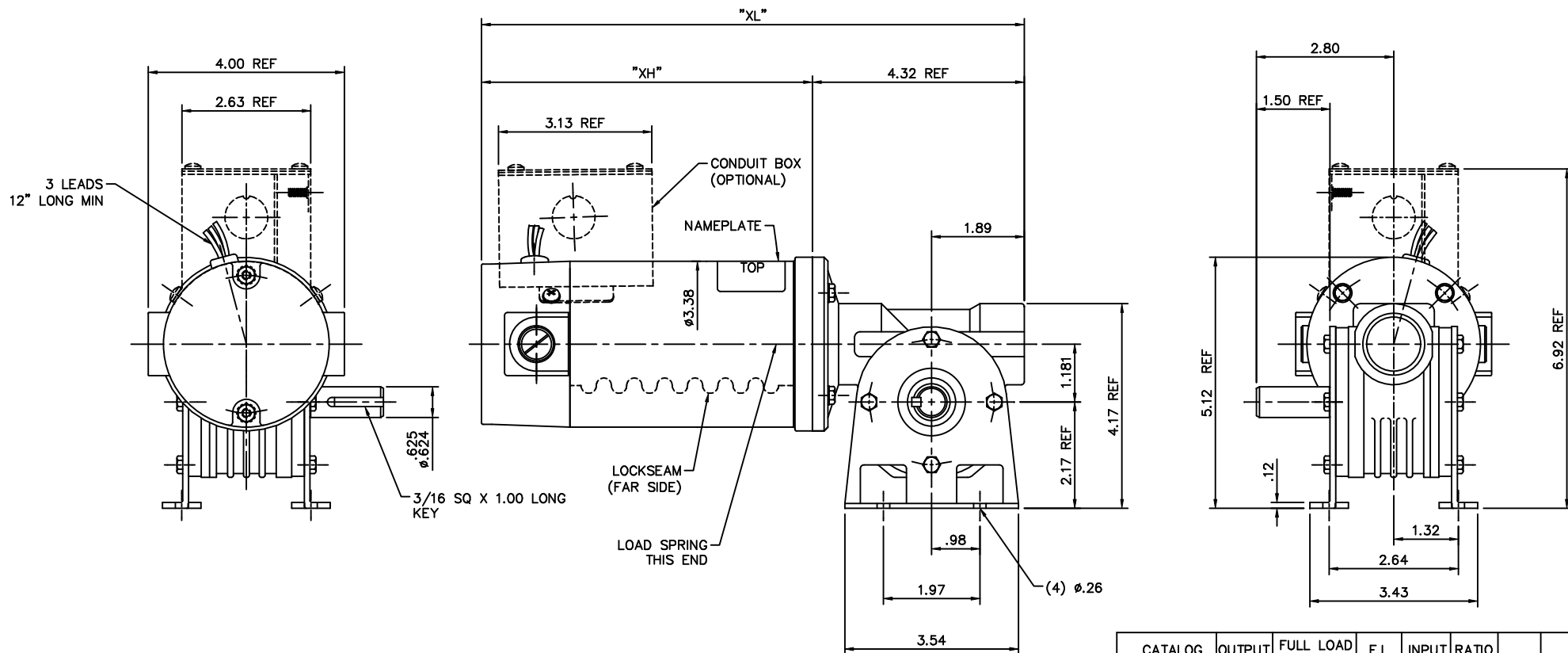
Nameplate Specifications

Output HP	0.13 Hp	Output KW	0.10 kW
Voltage	90 V	Current	1.6 A
Speed	45 rpm	Service Factor	1
Efficiency	33.9 %	Duty	Continuous
Insulation Class	H	Frame	34
Enclosure	Totally Enclosed Non Ventilated	Overload Protector	No
Ambient Temperature	40 °C	Drive End Bearing Size	6201
Opp Drive End Bearing Size	608	UL	Recognized
CSA	Y	CE	Y

Technical Specifications

Rotation	Reversible	Mounting	Special
Shaft Type	Right Angle	Overall Length	11.07 in
Frame Length	4.56 in	Shaft Diameter	0.625 in
Shaft Extension	1.5 in		
Outline Drawing	M1030899-M1135291	Connection Diagram	M100512401

This is an uncontrolled document once printed or downloaded and is subject to change without notice. Date Created: 10/15/2018



CATALOG NUMBER	OUTPUT RPM	FULL LOAD TORQUE LB.-IN.	F.L. AMPS	INPUT HP	RATIO TO 1	"XL"	"XH"
M1135291.00	45	87	1.6	1/8	39	11.07	6.75
M1135292.00	28	125	1.6	1/8	61	11.07	6.75

REVISION		BY & DATE	CHK	ANG	FINISH	CAD FILE		SIZE	DRAWING NO.	REV.
03	OAL GEARBOX WAS 4.23 REF, XL DISTANCE WAS 10.98	SMB 12/03/03	IPG	.X	±.1	M1030899		B	M1030899.00	03
02	ADDED 5.12 REF DIM TO SIDE VIEW PER ECR 82340	SMB 9/17/03	IPG	.XXX	±.005	M1030899		B	M1030899.00	02
01	ADDED ITEM # M1135292.00	SMB 9/10/03	IPG	.XXXX	±.0005	M1030899		B	M1030899.00	01
<p>THIS DRAWING IN DESIGN AND DETAIL IS OUR PROPERTY AND MUST NOT BE USED EXCEPT IN CONNECTION WITH OUR WORK ALL RIGHTS OF DESIGN AND INVENTION ARE RESERVED THIS IS AN ELECTRONICALLY GENERATED DOCUMENT - DO NOT SCALE THIS PRINT</p>										

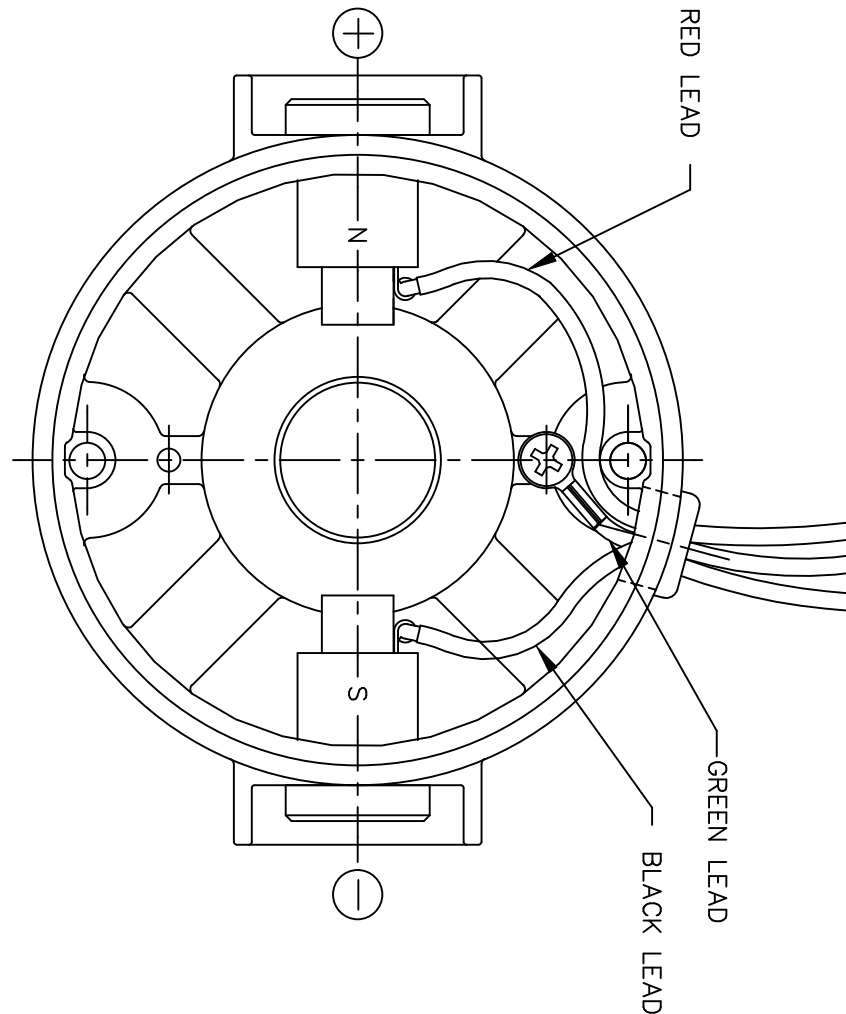


ELECTRIC MOTORS
GEARMOTORS
AND DRIVES

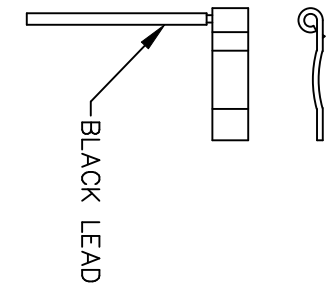
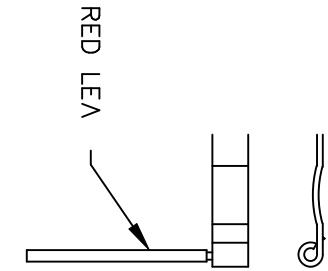
TITLE OUTLINE - 34 FRAME DC
512 BRAVO GEARBOX - 90V

ERROR: undefined
OFFENDING COMMAND: Pscript_W
STACK :

D.C. MOTORS



EXTERNAL CONNECTIONS FOR CW ROTATION
VIEWING LEAD END OF MOTOR WITH RED LEAD
POSITIVE AND BLACK LEAD NEGATIVE (-)
FOR CCW ROTATION REVERSE POLARITY



07	CORRECTED "N" & "S", ECR 80000 (PER BC)	VS	8/14/02	BC	TOLERANCES UNLESS SPECIFIED		LEESON ELECTRIC MOTORS GEARMOTORS AND DRIVES	DRAWN	SPV 12/10/91
06	REMOVED GROUND HOLE	TMZ	3/16/95	DEC.	INCHES			CHK	DWF 5/20/92
05	REVERSE ROTATION WAS CW	SPV	6/3/94	.X	±.1		TITLE	APPD	
04	CHANGED ROTATION FROM CCW TO CW	MJS	3/9/93	.XX	±.01			SCALE	1=1
03	REVISED ROTATION NOTE	DWF	1/6/93	.XXX	±.005		MAT'L.	REF	
02	ADDED GREEN LEAD	DWF	8/1/92	.XXXX	±.0005			FINISH	FMF M9131D2N22
NO.	REVISION	BY & DATE	CHK	ANG	±1/2"			PREV	
THIS DRAWING IN DESIGN AND DETAIL IS OUR PROPERTY AND MUST NOT BE USED EXCEPT IN CONNECTION WITH OUR WORK ALL RIGHTS OF DESIGN AND INVENTION ARE RESERVED THIS IS AN ELECTRONICALLY GENERATED DOCUMENT - DO NOT SCALE THIS PRINT				RFP	CAD FILE	M100512401	SIZE	DRAWING NO.	REV.
				DIST			A	M1005124.01	07