

PRODUCT INFORMATION PACKET



Model No: CM34D17FZ7A

Catalog No: M1135290.00

512.RT ANGLE.1.2.30:1.58RPM.158LBIN.1/4HP.34..WORM.DC GEARMOTORS SER. 12 SUB-FHP.90V.DC.TEFC.CM34D17FZ7A

Right Angle



Regal and Leeson are trademarks of Regal Beloit Corporation or one of its affiliated companies.

©2018 Regal Beloit Corporation, All Rights Reserved. MC017097E





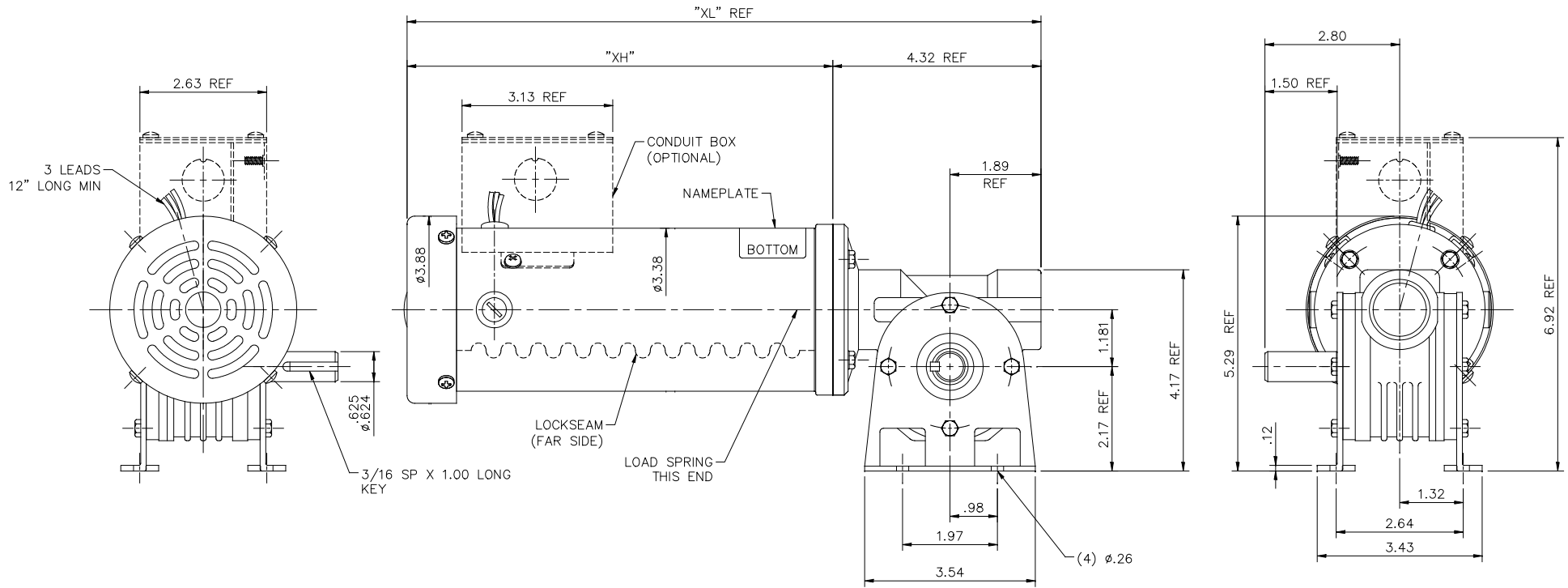
Nameplate Specifications

Output HP	0.25 Hp	Output KW	0.19 kW
Voltage	90 V	Current	2.8 A
Speed	58 rpm	Service Factor	1
Efficiency	42.3 %	Duty	Continuous
Insulation Class	H	Frame	34
Enclosure	Totally Enclosed Fan Cooled	Overload Protector	No
Ambient Temperature	40 °C	Drive End Bearing Size	6201
Opp Drive End Bearing Size	6201	UL	Recognized
CSA	Y	CE	Y

Technical Specifications

Rotation	Reversible	Mounting	Special
Shaft Type	Right Angle	Overall Length	13.16 in
Frame Length	7.43 in	Shaft Diameter	0.625 in
Shaft Extension	1.5 in		
Outline Drawing	M1030897-M1135290	Connection Diagram	M100526401

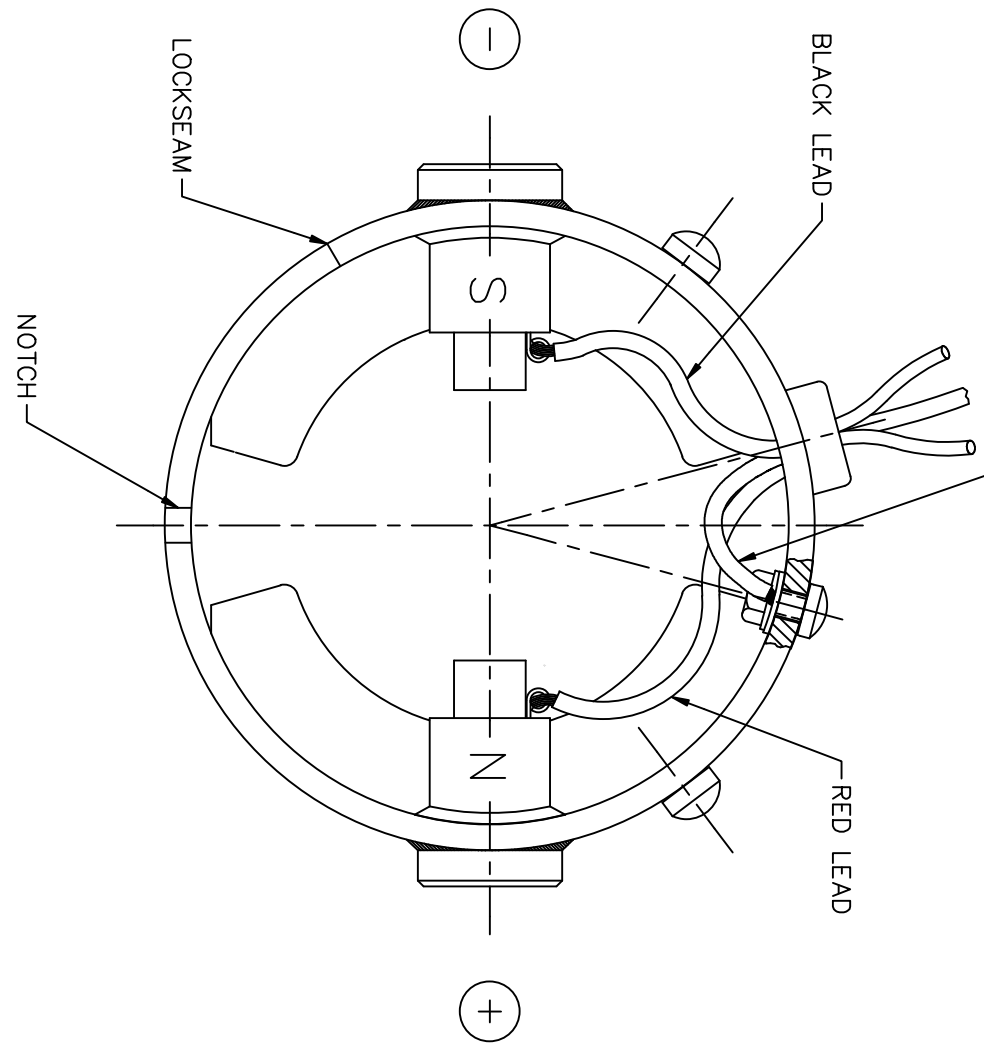
This is an uncontrolled document once printed or downloaded and is subject to change without notice. Date Created: 10/15/2018




CATALOG NUMBER	OUTPUT RPM	FULL LOAD TORQUE LB.-IN.	F.L. AMPS	INPUT HP	RATIO TO 1	"XL"	"XH"
M1135286.00	250	46	2.6	1/4	7	13.16	8.84
M1135287.00	167	61	2.6	1/4	10.6	13.16	8.84
M1135288.00	115	85	2.6	1/4	15	13.16	8.84
M1135289.00	90	100	2.6	1/4	19	13.16	8.84
M1135290.00	58	158	2.8	1/4	30	13.16	8.84

TOLERANCES UNLESS SPECIFIED		DEC.	INCHES	TITLE	DRAWN	SMB	08/27/03		
DEC.	INCHES								
	.X	±.1		ELECTRIC MOTORS GEARMOTORS AND DRIVES	CHK	IPG	08/27/03		
	.XX	±.03			APPD	SCALE	1=2		
N	ADDED REF. TO "XL" DIMENSION, ECO-0130202	IPG	8/28/17	.XXX	±.005	REF	PRO30237		
M	ADDED REF. TO 1.89 DIMENSION, ECO-0128454	IPG	7/31/17	.XXXX	±.0005	FMF	M1135286.00		
NO.	REVISION	BY & DATE	CHK	ANG	±1/2"	FINISH	PREV		
THIS DRAWING IN DESIGN AND DETAIL IS OUR PROPERTY AND MUST NOT BE USED EXCEPT IN CONNECTION WITH OUR WORK ALL RIGHTS OF DESIGN AND INVENTION ARE RESERVED THIS IS AN ELECTRONICALLY GENERATED DOCUMENT - DO NOT SCALE THIS PRINT				RFP	CAD FILE	M1030897	SIZE	DRAWING NO.	REV.
				DIST	B	M1030897	N		

DC MOTORS



EXTERNAL CONNECTIONS FOR CW ROTATION VIEWING
LEAD END OF MOTOR WITH RED LEAD POSITIVE (+)
AND BLACK LEAD NEGATIVE (-)
FOR CCW ROTATION REVERSE POLARITY

				TOLERANCES UNLESS SPECIFIED		 ELECTRIC MOTORS GEARMOTORS AND DRIVES	DRAWN SMB 08/22/03		
				DEC.	INCHES		CHK IPG 08/22/03	APPD	
02	CHANGED FRAME POLARITY, SWITCHED LEADS, ISAAC	IPG 3/17/2010	SK	.X	±.1	TITLE CONNECTION DIAGRAM	SCALE 1=1		
	10-1072			.XX	±.03		REF PR030237		
01	CHANGED ROTATION NOTE TO READ FOR CW ROTATION FROM LEAD END, ECR 82328	SMB 9/3/03	IPG	.XXX	±.005		FMF M1135286.00		
				.XXXX	±.0005	MAT'L.	PREV		
NO.	REVISION	BY & DATE	CHK	ANG	±1/2'	FINISH			
THIS DRAWING IN DESIGN AND DETAIL IS OUR PROPERTY AND MUST NOT BE USED EXCEPT IN CONNECTION WITH OUR WORK ALL RIGHTS OF DESIGN AND INVENTION ARE RESERVED THIS IS AN ELECTRONICALLY GENERATED DOCUMENT - DO NOT SCALE THIS PRINT				RFP		CAD FILE M100526401	SIZE A	DRAWING NO. M1005264.01	REV. 02
				DIST					