

PRODUCT INFORMATION PACKET

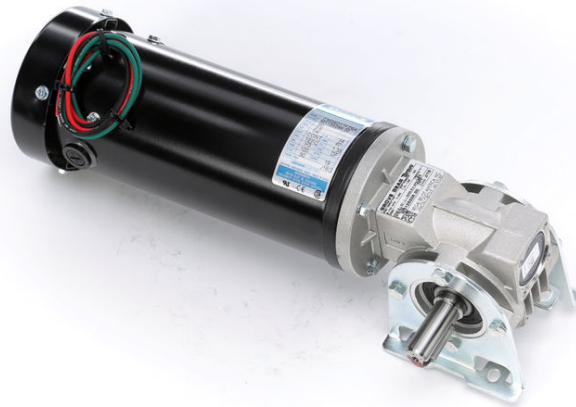


Model No: CM34D17FZ6A

Catalog No: M1135289.00

512.RT ANGLE.1.2.19:1.90RPM.100LBIN.1/4HP.34..WORM.DC GEARMOTORS SER. 12 SUB-FHP.90V.DC.TEFC.CM34D17FZ6A

Right Angle



Regal and Leeson are trademarks of Regal Beloit Corporation or one of its affiliated companies.

©2018 Regal Beloit Corporation, All Rights Reserved. MC017097E





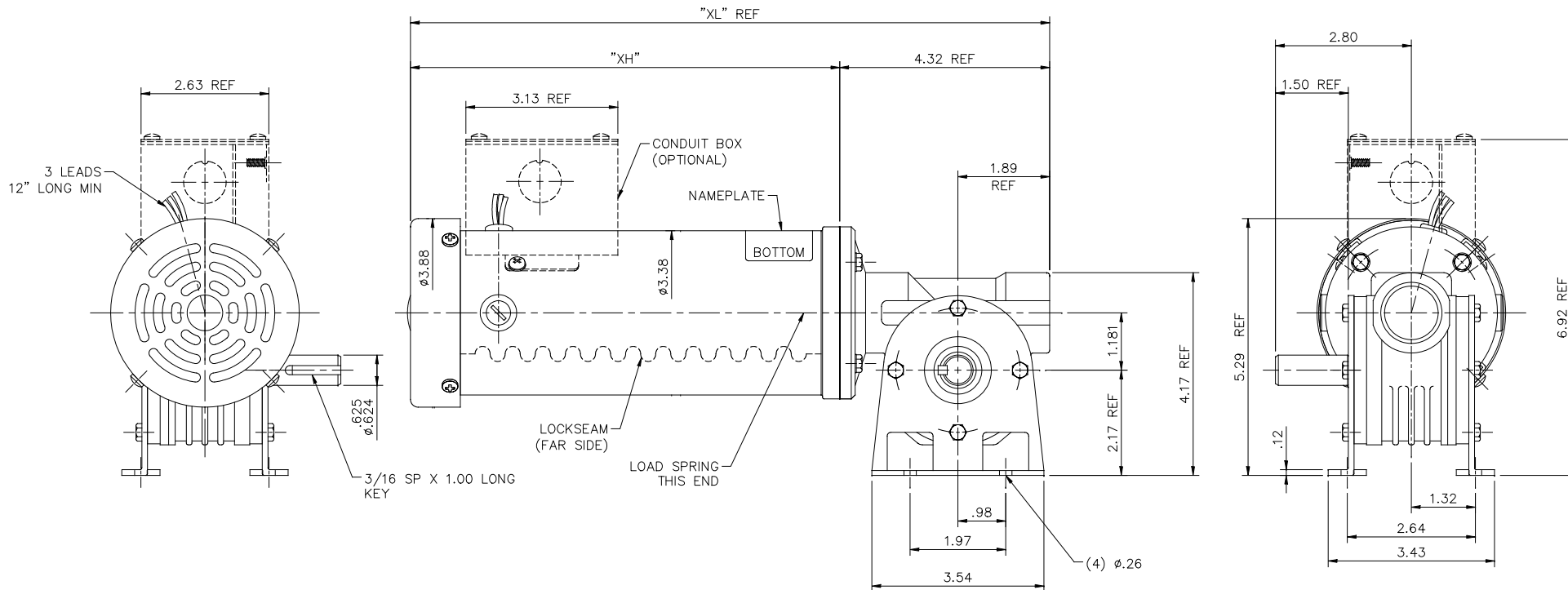
Nameplate Specifications

| | | | |
|----------------------------|------------------------------------|------------------------|-------------------|
| Output HP | 0.25 Hp | Output KW | 0.19 kW |
| Voltage | 90 V | Current | 2.6 A |
| Speed | 90 rpm | Service Factor | 1 |
| Efficiency | 50 % | Duty | Continuous |
| Insulation Class | H | Frame | 34 |
| Enclosure | Totally Enclosed Fan Cooled | Overload Protector | No |
| Ambient Temperature | 40 °C | Drive End Bearing Size | 6201 |
| Opp Drive End Bearing Size | 6201 | UL | Recognized |
| CSA | Y | CE | Y |

Technical Specifications

| | | | |
|-----------------|--------------------------|--------------------|-------------------|
| Rotation | Reversible | Mounting | Special |
| Shaft Type | Right Angle | Overall Length | 13.16 in |
| Frame Length | 7.43 in | Shaft Diameter | 0.625 in |
| Shaft Extension | 1.5 in | | |
| Outline Drawing | M1030897-M1135289 | Connection Diagram | M100526401 |

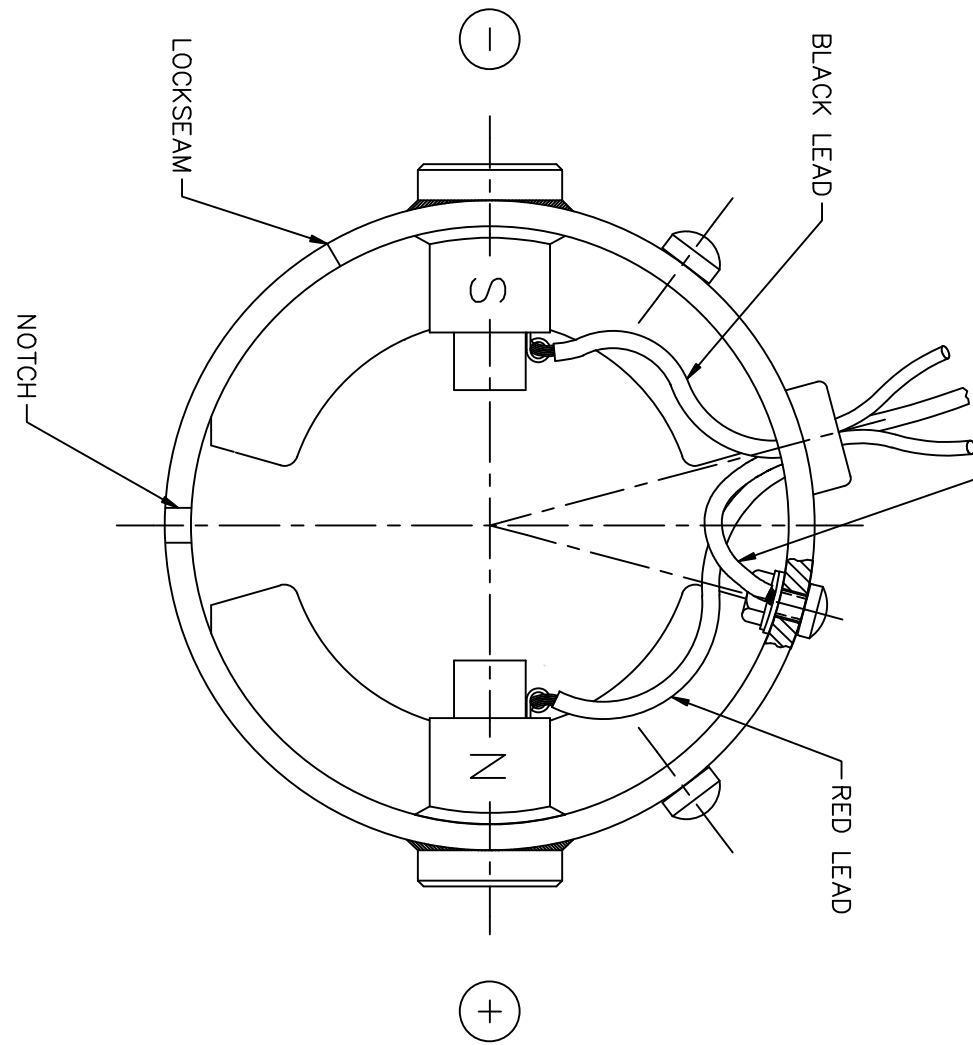
This is an uncontrolled document once printed or downloaded and is subject to change without notice. Date Created: 10/15/2018




| CATALOG NUMBER | OUTPUT RPM | FULL LOAD TORQUE LB.-IN. | F.L. AMPS | INPUT HP | RATIO TO 1 | "XL" | "XH" |
|----------------|------------|--------------------------|-----------|----------|------------|-------|------|
| M1135286.00 | 250 | 46 | 2.6 | 1/4 | 7 | 13.16 | 8.84 |
| M1135287.00 | 167 | 61 | 2.6 | 1/4 | 10.6 | 13.16 | 8.84 |
| M1135288.00 | 115 | 85 | 2.6 | 1/4 | 15 | 13.16 | 8.84 |
| M1135289.00 | 90 | 100 | 2.6 | 1/4 | 19 | 13.16 | 8.84 |
| M1135290.00 | 58 | 158 | 2.8 | 1/4 | 30 | 13.16 | 8.84 |

| TOLERANCES UNLESS SPECIFIED | | INCHES | | LEESON | ELECTRIC MOTORS GEARMOTORS AND DRIVES | DRAWN | SMB 08/27/03 |
|--|---|-----------|---------|--------|---|----------|--|
| DEC. | INCHES | XX | ±.03 | | | CHK | IPG 08/27/03 |
| N | ADDED REF. TO "XL" DIMENSION, ECO-0130202 | IPG | 8/28/17 | .XXX | ±.005 | TITLE | OUTLINE - 34 FRAME DC 512 BRAVO GEARBOX - 90V |
| M | ADDED REF. TO 1.89 DIMENSION, ECO-0128454 | IPG | 7/31/17 | .XXX | ±.0005 | MAT'L | |
| NO. | REVISION | BY & DATE | CHK | ANG | ±1/2" | FINISH | |
| THIS DRAWING IN DESIGN AND DETAIL IS OUR PROPERTY AND MUST NOT BE USED EXCEPT IN CONNECTION WITH OUR WORK ALL RIGHTS OF DESIGN AND INVENTION ARE RESERVED THIS IS AN ELECTRONICALLY GENERATED DOCUMENT - DO NOT SCALE THIS PRINT | | | | RFP | | CAD FILE | M1030897 |
| | | | | DIST | | SIZE | DRAWING NO. B M1030897 |
| | | | | | | REV. | N |

DC MOTORS



EXTERNAL CONNECTIONS FOR CW ROTATION VIEWING
LEAD END OF MOTOR WITH RED LEAD POSITIVE (+)
AND BLACK LEAD NEGATIVE (-)
FOR CCW ROTATION REVERSE POLARITY

| | | | | TOLERANCES UNLESS SPECIFIED | |  ELECTRIC MOTORS GEARMOTORS AND DRIVES | DRAWN SMB 08/22/03 | | | |
|--|--|---------------|-----|-----------------------------|--------|---|--------------------|-----------------|-------------|------|
| | | | | DEC. | INCHES | | CHK IPG 08/22/03 | APPD | | |
| 02 | CHANGED FRAME POLARITY, SWITCHED LEADS, ISAAC | IPG 3/17/2010 | SK | .X | ±.1 | TITLE CONNECTION DIAGRAM | SCALE | 1=1 | | |
| | 10-1072 | | | .XX | ±.03 | | REF | PR030237 | | |
| 01 | CHANGED ROTATION NOTE TO READ FOR CW ROTATION FROM LEAD END, ECR 82328 | SMB 9/3/03 | IPG | .XXX | ±.005 | | MAT'L. | FMF M1135286.00 | | |
| | | | | .XXXX | ±.0005 | FINISH | PREV | | | |
| NO. | REVISION | BY & DATE | CHK | ANG | ±1/2' | | | | | |
| THIS DRAWING IN DESIGN AND DETAIL IS OUR PROPERTY AND MUST NOT BE USED EXCEPT IN CONNECTION WITH OUR WORK ALL RIGHTS OF DESIGN AND INVENTION ARE RESERVED THIS IS AN ELECTRONICALLY GENERATED DOCUMENT - DO NOT SCALE THIS PRINT | | | | RFP | | CAD FILE | M100526401 | SIZE | DRAWING NO. | REV. |
| | | | | DIST | | A | M1005264.01 | 02 | | |