

# PRODUCT INFORMATION PACKET



Model No: CM34D17FZ5A

Catalog No: M1135288.00

512.RT ANGLE.1.2.15:1.115RPM.85LBIN.1/4HP.34..WORM.DC GEARMOTORS SER. 12 SUB-FHP.90V.DC.TEFC.CM34D17FZ5A

Right Angle



Regal and Leeson are trademarks of Regal Beloit Corporation or one of its affiliated companies.

©2018 Regal Beloit Corporation, All Rights Reserved. MC017097E





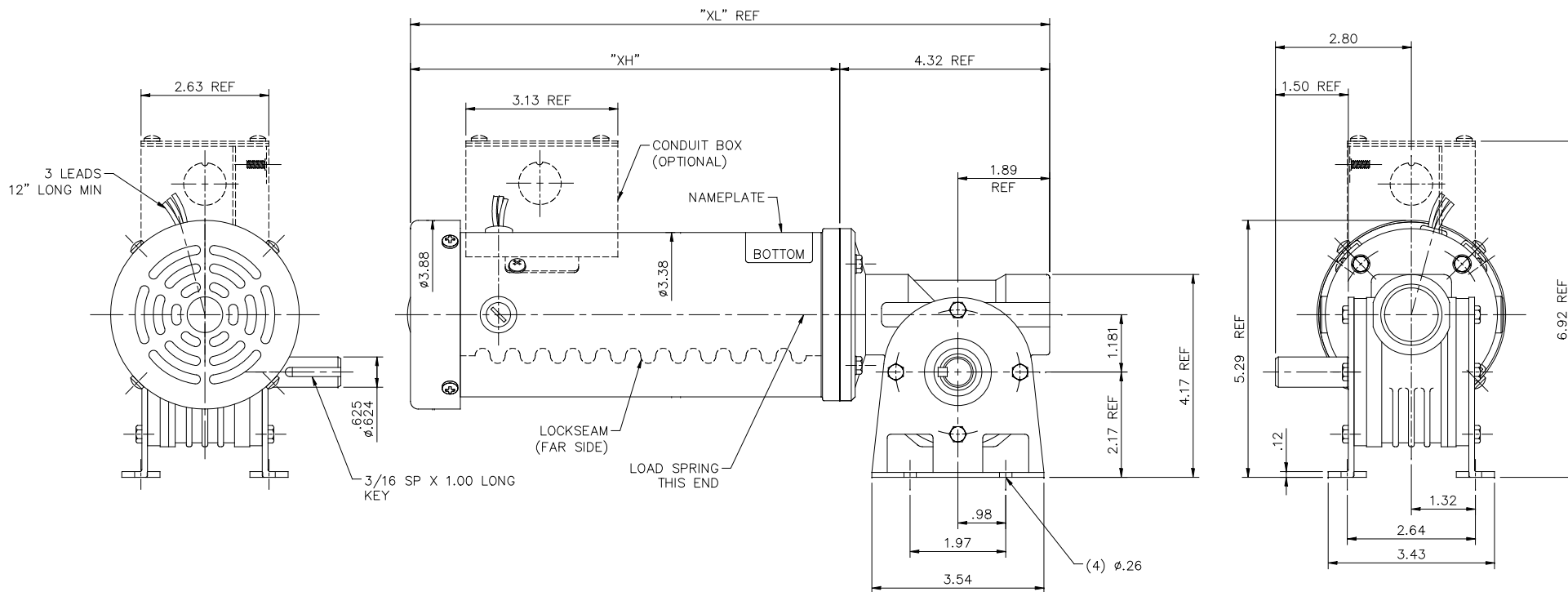
**Nameplate Specifications**

Output HP	<b>0.25 Hp</b>	Output KW	<b>0.19 kW</b>
Voltage	<b>90 V</b>	Current	<b>2.6 A</b>
Speed	<b>115 rpm</b>	Service Factor	<b>1</b>
Efficiency	<b>49 %</b>	Duty	<b>Continuous</b>
Insulation Class	<b>H</b>	Frame	<b>34</b>
Enclosure	<b>Totally Enclosed Fan Cooled</b>	Overload Protector	<b>No</b>
Ambient Temperature	<b>40 °C</b>	Drive End Bearing Size	<b>6201</b>
Opp Drive End Bearing Size	<b>6201</b>	UL	<b>Recognized</b>
CSA	<b>Y</b>	CE	<b>Y</b>

**Technical Specifications**

Rotation	<b>Reversible</b>	Mounting	<b>Special</b>
Shaft Type	<b>Right Angle</b>	Overall Length	<b>13.16 in</b>
Frame Length	<b>7.43 in</b>	Shaft Diameter	<b>0.625 in</b>
Shaft Extension	<b>1.5 in</b>		
Outline Drawing	<b>M1030897-M1135288</b>	Connection Diagram	<b>M100526401</b>

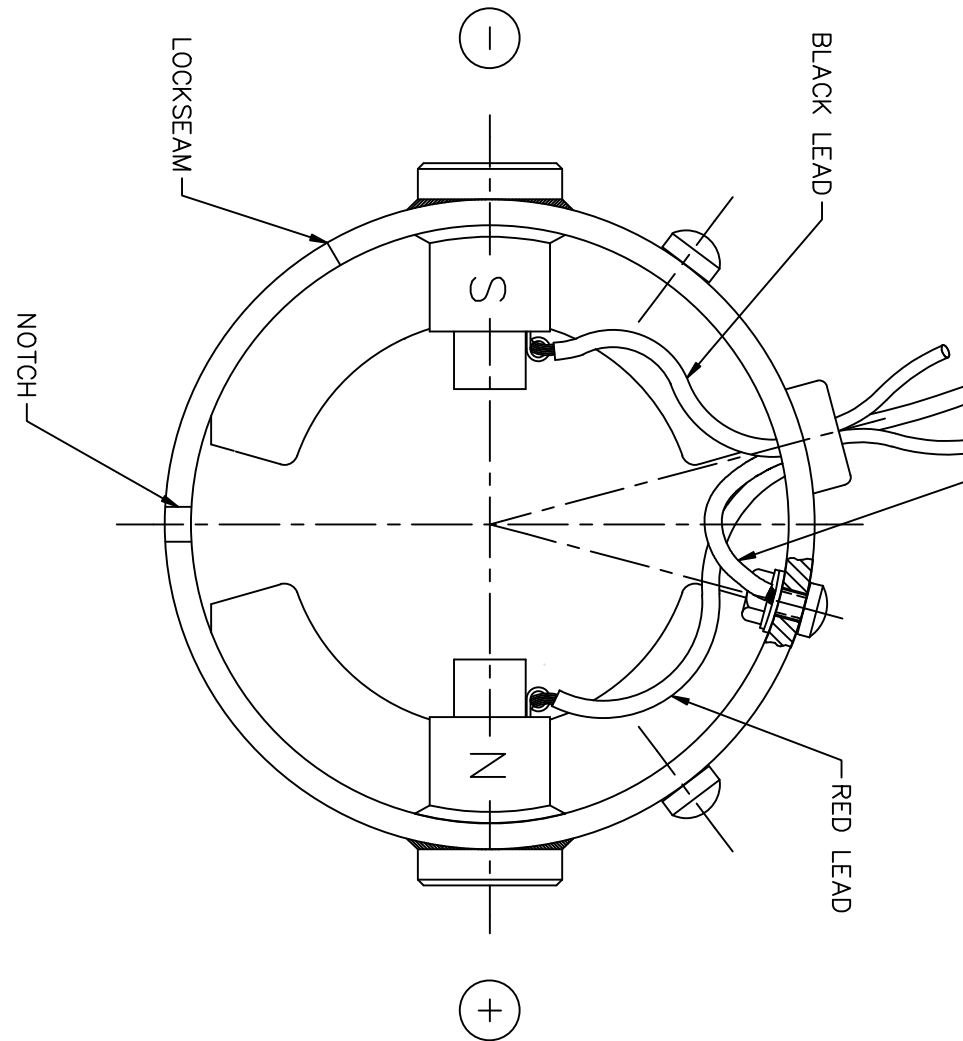
**This is an uncontrolled document once printed or downloaded and is subject to change without notice. Date Created: 10/15/2018**



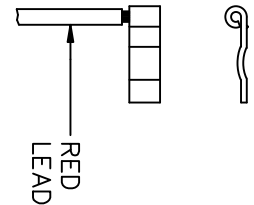
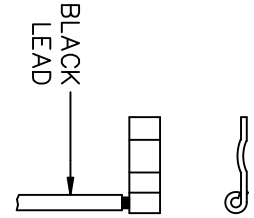
CATALOG NUMBER	OUTPUT RPM	FULL LOAD TORQUE LB.-IN.	F.L. AMPS	INPUT HP	RATIO TO 1	"XL"	"XH"
M1135286.00	250	46	2.6	1/4	7	13.16	8.84
M1135287.00	167	61	2.6	1/4	10.6	13.16	8.84
M1135288.00	115	85	2.6	1/4	15	13.16	8.84
M1135289.00	90	100	2.6	1/4	19	13.16	8.84
M1135290.00	58	158	2.8	1/4	30	13.16	8.84

TOLERANCES UNLESS SPECIFIED		DEC.	INCHES	TITLE	DRAWN	SMB	08/27/03		
DEC.	INCHES								
	.X		±.1	ELECTRIC MOTORS GEARMOTORS AND DRIVES	CHK	IPG	08/27/03		
	.XX		±.03						
N	ADDED REF. TO "XL" DIMENSION, ECO-0130202	IPG	8/28/17	512 BRAVO GEARBOX - 90V	APPD				
M	ADDED REF. TO 1.89 DIMENSION, ECO-0128454	IPG	7/31/17		SCALE		1=2		
			.XXX	±.005	REF		PRO30237		
			.XXX	±.0005	FMF		M1135286.00		
NO.	REVISION	BY & DATE	CHK	ANG	FINISH	PREV			
THIS DRAWING IN DESIGN AND DETAIL IS OUR PROPERTY AND MUST NOT BE USED EXCEPT IN CONNECTION WITH OUR WORK ALL RIGHTS OF DESIGN AND INVENTION ARE RESERVED THIS IS AN ELECTRONICALLY GENERATED DOCUMENT - DO NOT SCALE THIS PRINT				RFP	CAD FILE	M1030897	SIZE	DRAWING NO.	REV.
				DIST			B	M1030897	N


DC MOTORS



GROUND LEAD  
INSTALL SO LEAD DOES NOT  
CREATE INTERFERENCE WITH  
THROUGH BOLT



EXTERNAL CONNECTIONS FOR CW ROTATION VIEWING  
LEAD END OF MOTOR WITH RED LEAD POSITIVE (+)  
AND BLACK LEAD NEGATIVE (-)  
FOR CCW ROTATION REVERSE POLARITY

				TOLERANCES UNLESS SPECIFIED		 ELECTRIC MOTORS GEARMOTORS AND DRIVES	DRAWN SMB 08/22/03		
				DEC.	INCHES		CHK IPG 08/22/03	APPD	
02	CHANGED FRAME POLARITY, SWITCHED LEADS, ISAAC	IPG 3/17/2010	SK	.X	±.1	TITLE CONNECTION DIAGRAM	SCALE 1=1		
	10-1072			.XX	±.03		REF PR030237		
01	CHANGED ROTATION NOTE TO READ FOR CW ROTATION FROM LEAD END, ECR 82328	SMB 9/3/03	IPG	.XXX	±.005		FMF M1135286.00		
				.XXXX	±.0005	MAT'L.	PREV		
NO.	REVISION	BY & DATE	CHK	ANG	±1/2'	FINISH			
THIS DRAWING IN DESIGN AND DETAIL IS OUR PROPERTY AND MUST NOT BE USED EXCEPT IN CONNECTION WITH OUR WORK ALL RIGHTS OF DESIGN AND INVENTION ARE RESERVED THIS IS AN ELECTRONICALLY GENERATED DOCUMENT - DO NOT SCALE THIS PRINT				RFP		CAD FILE M100526401	SIZE A	DRAWING NO. M1005264.01	REV. 02
				DIST					