

PRODUCT INFORMATION PACKET



Model No: CM34D17FZ4A

Catalog No: M1135287.00

512.RT ANGLE.1.2.10.6:1.167RPM.61LBIN.1/4HP.34..WORM.DC GEARMOTORS SER. 12 SUB-FHP.90V.DC.TEFC.CM34D17FZ4A

Right Angle



Regal and Leeson are trademarks of Regal Beloit Corporation or one of its affiliated companies.

©2018 Regal Beloit Corporation, All Rights Reserved. MC017097E





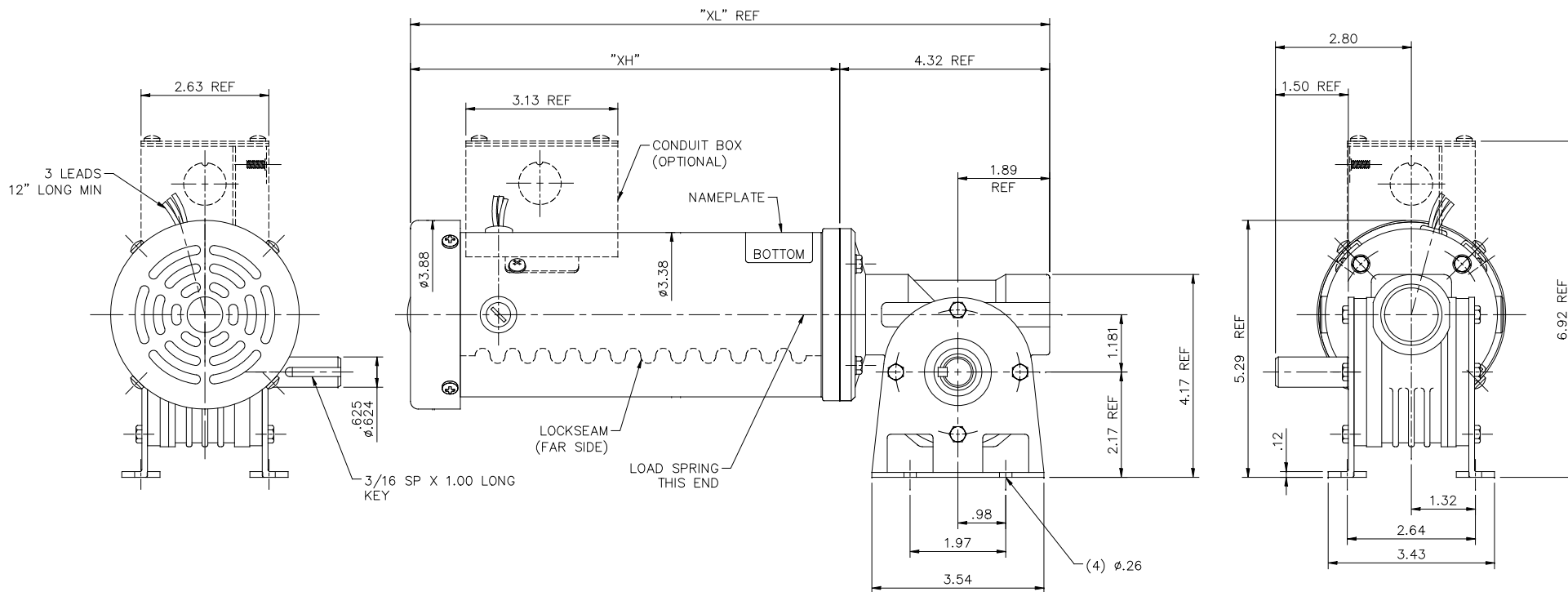
Nameplate Specifications

Output HP	0.25 Hp	Output KW	0.19 kW
Voltage	90 V	Current	2.6 A
Speed	167 rpm	Service Factor	1
Efficiency	56 %	Duty	Continuous
Insulation Class	H	Frame	34
Enclosure	Totally Enclosed Fan Cooled	Overload Protector	No
Ambient Temperature	40 °C	Drive End Bearing Size	6201
Opp Drive End Bearing Size	6201	UL	Recognized
CSA	Y	CE	Y


Technical Specifications

Rotation	Reversible	Mounting	Special
Shaft Type	Right Angle	Overall Length	13.16 in
Frame Length	7.43 in	Shaft Diameter	0.625 in
Shaft Extension	1.5 in		
Outline Drawing	M1030897-M1135287	Connection Diagram	M100526401

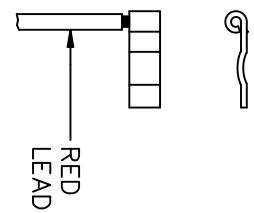
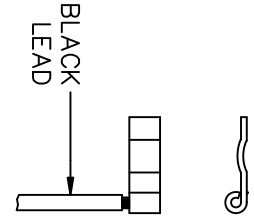
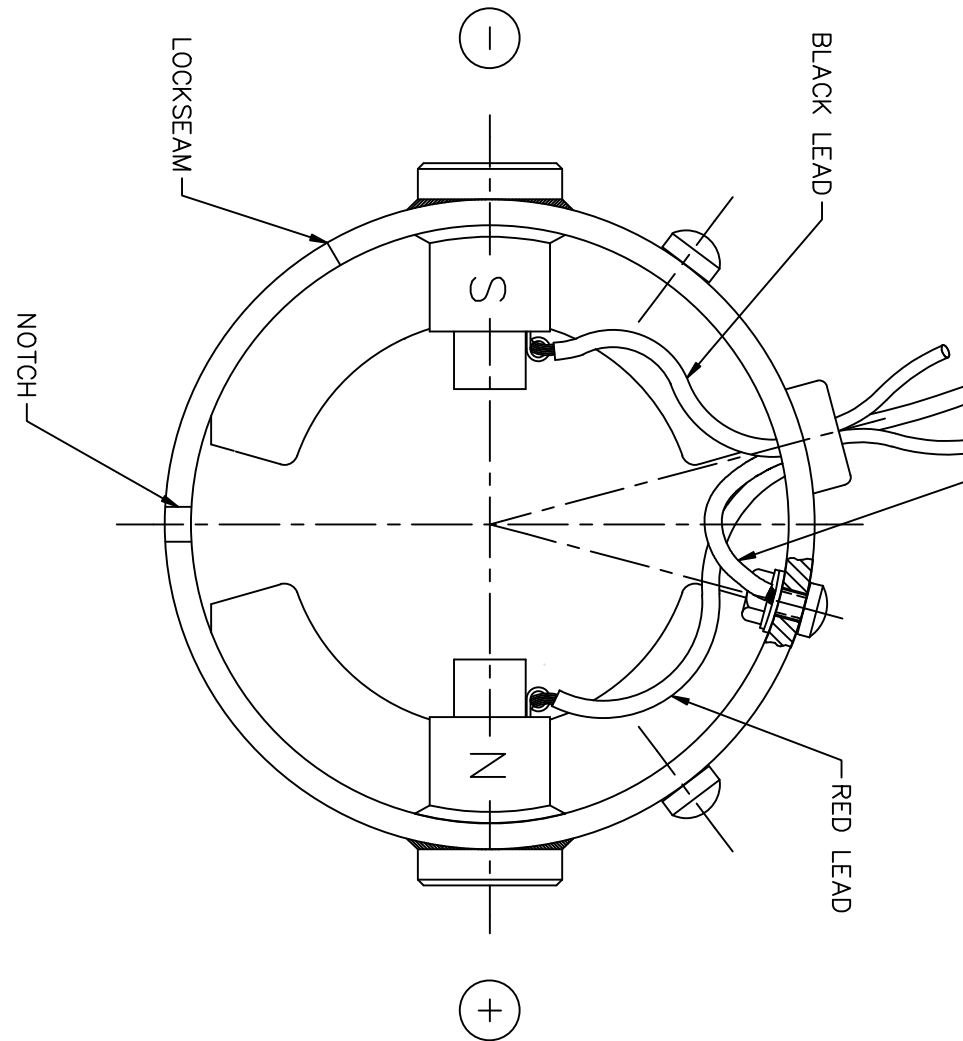
This is an uncontrolled document once printed or downloaded and is subject to change without notice. Date Created: 10/15/2018



CATALOG NUMBER	OUTPUT RPM	FULL LOAD TORQUE LB.-IN.	F.L. AMPS	INPUT HP	RATIO TO 1	"XL"	"XH"
M1135286.00	250	46	2.6	1/4	7	13.16	8.84
M1135287.00	167	61	2.6	1/4	10.6	13.16	8.84
M1135288.00	115	85	2.6	1/4	15	13.16	8.84
M1135289.00	90	100	2.6	1/4	19	13.16	8.84
M1135290.00	58	158	2.8	1/4	30	13.16	8.84


		TOLERANCES UNLESS SPECIFIED		 ELECTRIC MOTORS GEARMOTORS AND DRIVES	DRAWN SMB 08/27/03
		DEC.	INCHES		CHK IPG 08/27/03
		.X	±.1	APPD	SCALE 1=2
N	ADDED REF. TO "XL" DIMENSION, ECO-0130202	IPG	8/28/17	.XX ±.03	TITLE OUTLINE - 34 FRAME DC 512 BRAVO GEARBOX - 90V
M	ADDED REF. TO 1.89 DIMENSION, ECO-0128454	IPG	7/31/17	.XXX ±.005	REF PR030237
NO.	REVISION	BY & DATE	CHK ANG ±1/2"	.XXX ±.0005	MAT'L
THIS DRAWING IN DESIGN AND DETAIL IS OUR PROPERTY AND MUST NOT BE USED EXCEPT IN CONNECTION WITH OUR WORK ALL RIGHTS OF DESIGN AND INVENTION ARE RESERVED THIS IS AN ELECTRONICALLY GENERATED DOCUMENT - DO NOT SCALE THIS PRINT			RFP	FINISH	FMF M1135286.00
				CAD FILE M1030897	PREV
				SIZE B	DRAWING NO. M1030897
					REV. N

DC MOTORS



GROUND LEAD
INSTALL SO LEAD DOES NOT
CREATE INTERFERENCE WITH
THROUGH BOLT

EXTERNAL CONNECTIONS FOR CW ROTATION VIEWING
LEAD END OF MOTOR WITH RED LEAD POSITIVE (+)
AND BLACK LEAD NEGATIVE (-)
FOR CCW ROTATION REVERSE POLARITY

				TOLERANCES UNLESS SPECIFIED		 ELECTRIC MOTORS GEARMOTORS AND DRIVES	DRAWN SMB 08/22/03		
				DEC.	INCHES		CHK IPG 08/22/03	APPD	
02	CHANGED FRAME POLARITY, SWITCHED LEADS, ISAAC	IPG 3/17/2010	SK	.X	±.1	TITLE CONNECTION DIAGRAM	SCALE 1=1		
	10-1072			.XX	±.03		REF PR030237		
01	CHANGED ROTATION NOTE TO READ FOR CW ROTATION FROM LEAD END, ECR 82328	SMB 9/3/03	IPG	.XXX	±.005		FMF M1135286.00		
				.XXXX	±.0005	MAT'L.	PREV		
NO.	REVISION	BY & DATE	CHK	ANG	±1/2'	FINISH			
THIS DRAWING IN DESIGN AND DETAIL IS OUR PROPERTY AND MUST NOT BE USED EXCEPT IN CONNECTION WITH OUR WORK ALL RIGHTS OF DESIGN AND INVENTION ARE RESERVED THIS IS AN ELECTRONICALLY GENERATED DOCUMENT - DO NOT SCALE THIS PRINT				RFP		CAD FILE M100526401	SIZE A	DRAWING NO. M1005264.01	REV. 02
				DIST					