

PRODUCT INFORMATION PACKET



Model No: CM34D17NZ28A

Catalog No: M1135284.00

512.RT ANGLE.1.2.39:1.45RPM.94LBIN.1/8HP.34..WORM.DC GEARMOTORS SER. 12 SUB-FHP.12V.DC.TENV.CM34D17NZ28A

Right Angle



Regal and Leeson are trademarks of Regal Beloit Corporation or one of its affiliated companies.

©2018 Regal Beloit Corporation, All Rights Reserved. MC017097E





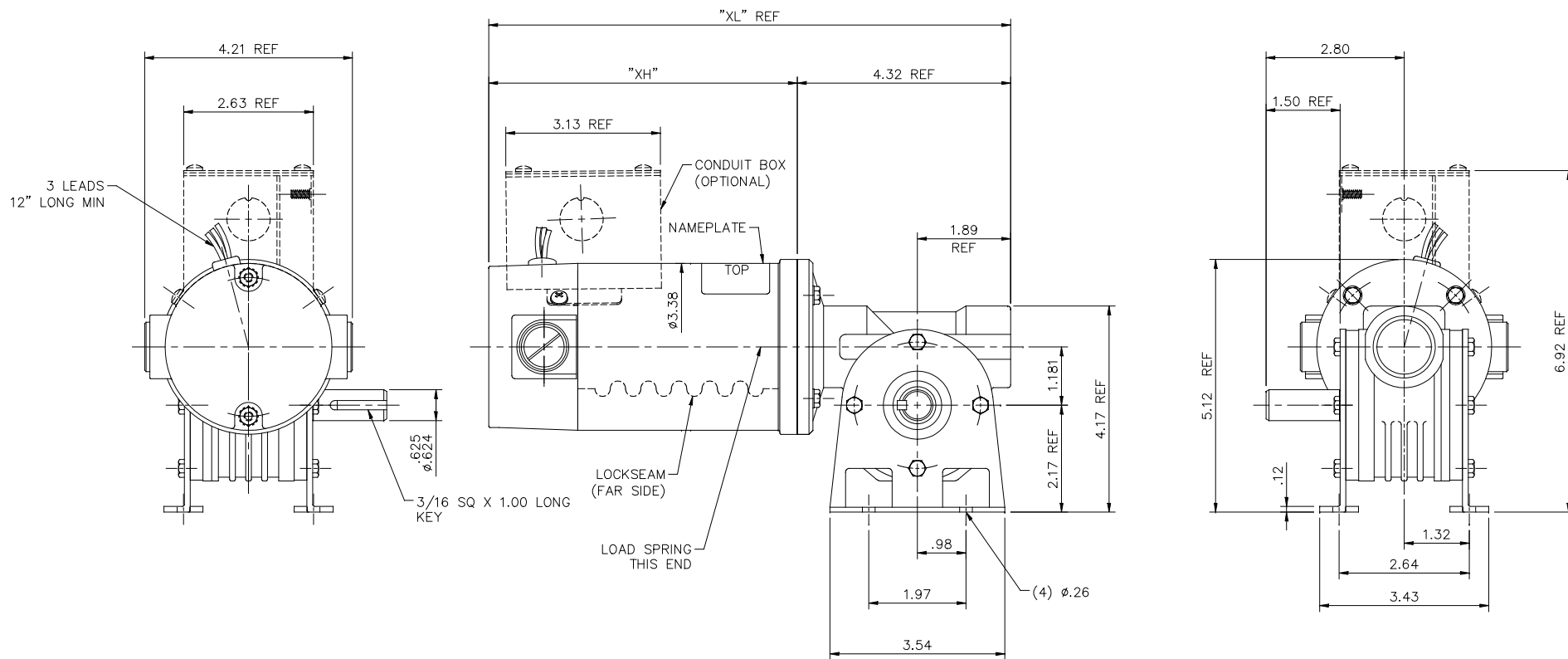
Nameplate Specifications

Output HP	0.13 Hp	Output KW	0.10 kW
Voltage	12 V	Current	15.0 A
Speed	45 rpm	Service Factor	1
Efficiency	27.9 %	Duty	Continuous
Insulation Class	H	Frame	34
Enclosure	Totally Enclosed Non Ventilated	Overload Protector	No
Ambient Temperature	40 °C	Drive End Bearing Size	6201
Opp Drive End Bearing Size	608	UL	Recognized
CSA	Y	CE	N

Technical Specifications


Rotation	Reversible	Mounting	Special
Shaft Type	Right Angle	Overall Length	10.57 in
Frame Length	4.06 in	Shaft Diameter	0.625 in
Shaft Extension	1.5 in		
Outline Drawing	M1030894-M1135284	Connection Diagram	M100512401

This is an uncontrolled document once printed or downloaded and is subject to change without notice. Date Created: 10/15/2018

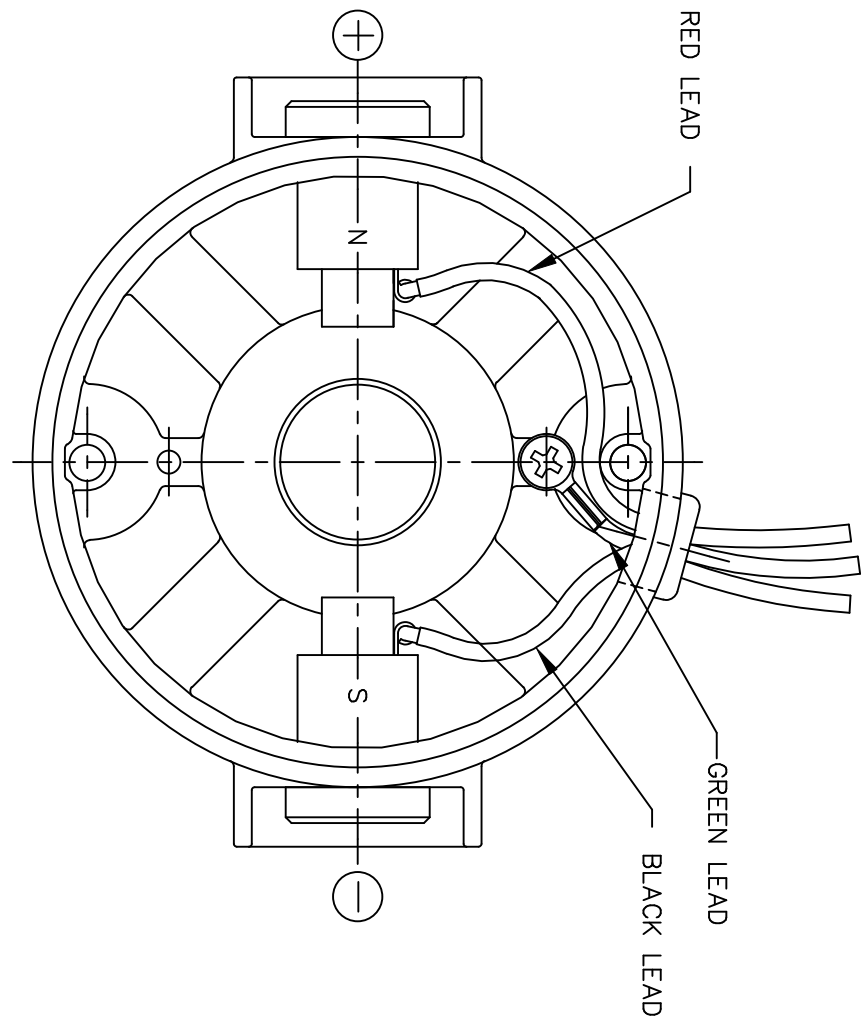


CATALOG NUMBER	OUTPUT RPM	FULL LOAD TORQUE LB.-IN.	F.L. AMPS	INPUT HP	RATIO TO 1	"XL"	"XH"
M1135284.00	45	94	15	1/8	39	10.57	6.25
M1135285.00	27	134	14	1/8	61	10.57	6.25
M1135293.00	250	46	23	1/4	7	11.82	7.50
M1135294.00	167	61	21	1/4	10.6	11.82	7.50
M1135295.00	115	85	23	1/4	15	11.82	7.50
M1135296.00	90	100	24	1/4	19	11.82	7.50
M1135297.00	58	158	24	1/4	30	11.82	7.50

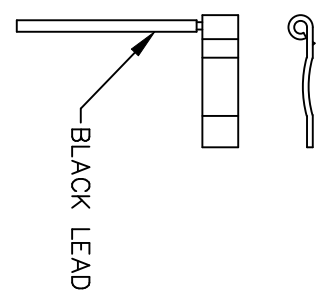
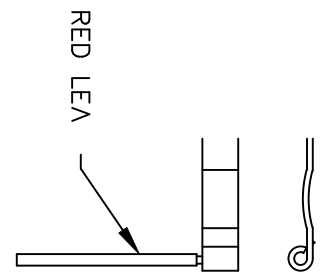
ITEM No.	ITEM REV
-00	010

		TOLERANCES UNLESS SPECIFIED		 ELECTRIC MOTORS GEARMOTORS AND DRIVES	DRAWN	SMB 08/13/03
		DEC.	INCHES		CHK	IPG 08/13/03
		.X	±.1		APPD	
		.XX	±.03	TITLE	SCALE	1=2
P	ADDED REF. TO "XL" DIMENSION, ECO-0130202	IPG	8/28/17	OUTLINE - 34 FRAME DC	REF	PRO30240
N	ADDED REF. TO 1.89 DIMENSION, ECO-0128454	IPG	7/31/17	512 BRAVO GEARBOX - 12V	FMF	M1135284.00
NO.	REVISION	BY & DATE	CHK ANG ±1/2"	MAT'L	PREV	
THIS DRAWING IN DESIGN AND DETAIL IS OUR PROPERTY AND MUST NOT BE USED EXCEPT IN CONNECTION WITH OUR WORK ALL RIGHTS OF DESIGN AND INVENTION ARE RESERVED THIS IS AN ELECTRONICALLY GENERATED DOCUMENT - DO NOT SCALE THIS PRINT				RFP	CAD FILE	M1030894
				DIST	SIZE	DRAWING NO.
					B	M1030894
						REV. P

D.C. MOTORS



EXTERNAL CONNECTIONS FOR CW ROTATION
 VIEWING LEAD END OF MOTOR WITH RED LEAD
 POSITIVE AND BLACK LEAD NEGATIVE (-)
 FOR CCW ROTATION REVERSE POLARITY



07	CORRECTED "N" & "S", ECR 80000 (PER BC)	VS	8/14/02	BC	TOLERANCES UNLESS SPECIFIED		LEESON ELECTRIC MOTORS GEARMOTORS AND DRIVES	DRAWN	SPV 12/10/91		
06	REMOVED GROUND HOLE	TMZ	3/16/95	DEC.	INCHES			CHK	DWF 5/20/92		
05	REVERSE ROTATION WAS CW	SPV	6/3/94	.X	±.1		TITLE	APPD			
04	CHANGED ROTATION FROM CCW TO CW	MJS	3/9/93	.XX	±.01			SCALE	1=1		
03	REVISED ROTATION NOTE	DWF	1/6/93	.XXX	±.005		MAT'L.	REF			
02	ADDED GREEN LEAD	DWF	8/1/92	.XXXX	±.0005			FMF	M9131D2N22		
NO.	REVISION	BY & DATE	CHK	ANG	±1/2"		FINISH	PREV			
THIS DRAWING IN DESIGN AND DETAIL IS OUR PROPERTY AND MUST NOT BE USED EXCEPT IN CONNECTION WITH OUR WORK ALL RIGHTS OF DESIGN AND INVENTION ARE RESERVED THIS IS AN ELECTRONICALLY GENERATED DOCUMENT - DO NOT SCALE THIS PRINT				RFP	CAD FILE			M100512401	SIZE	DRAWING NO.	REV.
				DIST				A	M1005124.01	07	