

PRODUCT INFORMATION PACKET



Model No: CM34D25NZ161A
Catalog No: M1135252.00
...20:1.125RPM.90LBIN.1/4HP.34...DC GEARMOTORS SUB-FHP.12V.DC.TENV
Right Angle



Regal and Leeson are trademarks of Regal Beloit Corporation or one of its affiliated companies.
©2018 Regal Beloit Corporation, All Rights Reserved. MC017097E





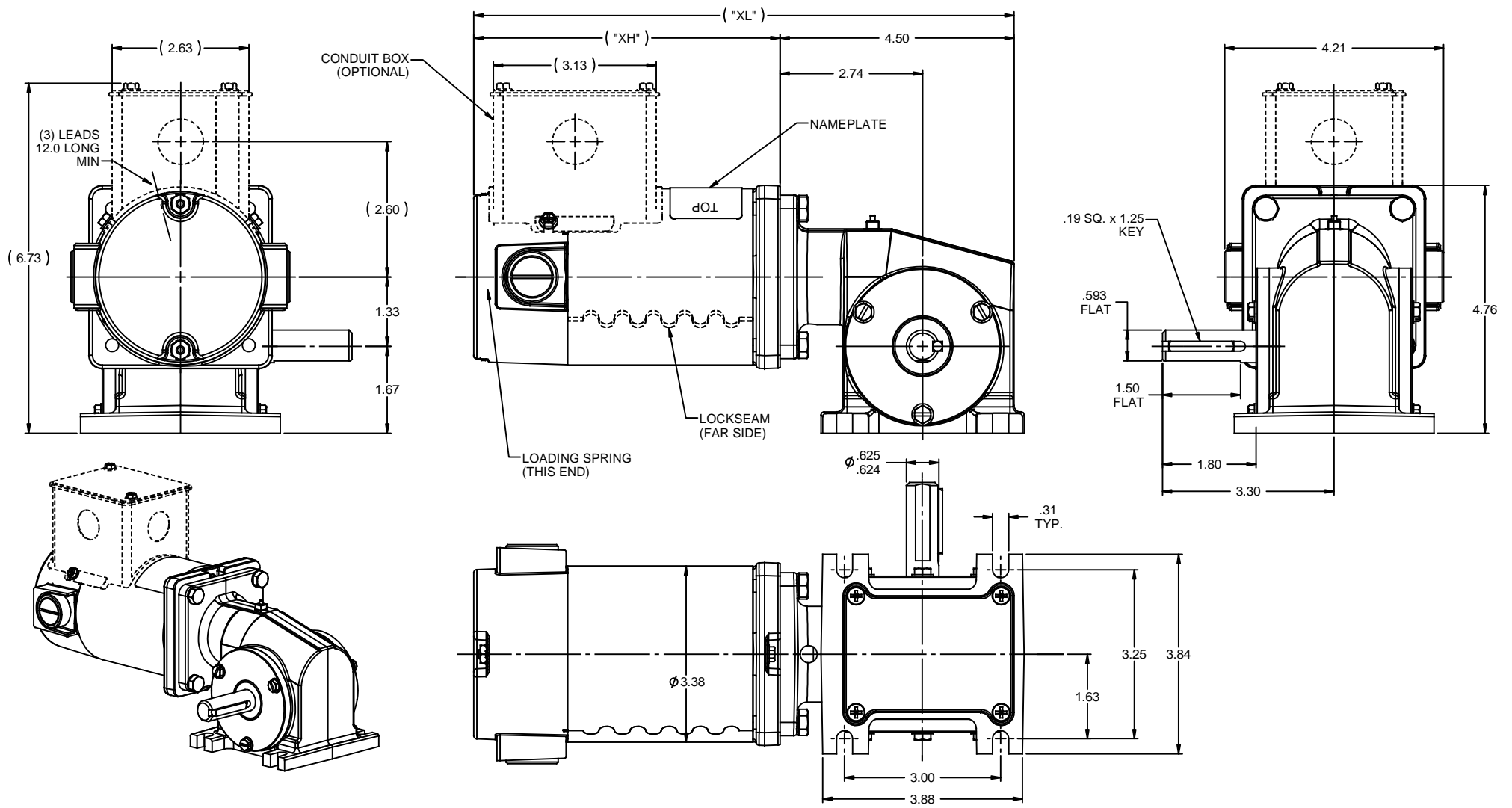
Nameplate Specifications

Output HP	0.25 Hp	Output KW	0.19 kW
Voltage	12 V	Current	21.0 A
Speed	125 rpm	Service Factor	1
Efficiency	38.6 %	Duty	Continuous
Insulation Class	F	Frame	34
Enclosure	Totally Enclosed Non Ventilated	Overload Protector	No
Ambient Temperature	40 °C	Drive End Bearing Size	6201
Opp Drive End Bearing Size	608	UL	Recognized
CSA	Y	CE	N

Technical Specifications

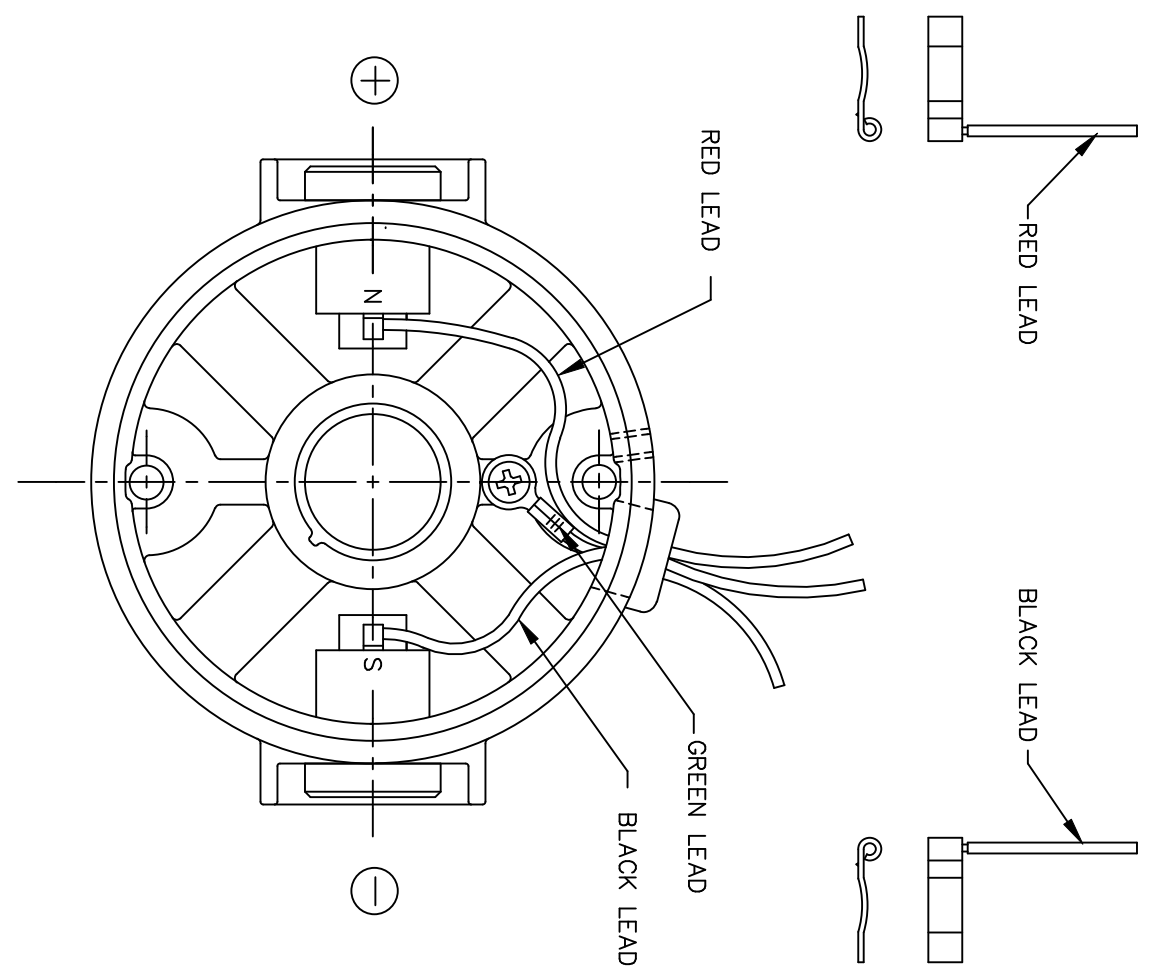
Rotation	Reversible	Mounting	Special
Shaft Type	Right Angle	Overall Length	12.64 in
Frame Length	5.81 in	Shaft Diameter	0.625 in
Shaft Extension	1.8 in		
Outline Drawing	M1030810-M1135252	Connection Diagram	M100514301

This is an uncontrolled document once printed or downloaded and is subject to change without notice. Date Created: 10/15/2018



CATALOG NUMBER	SPEED RANGE RPM	FULL LOAD TORQUE LB-IN	INPUT H.P.	OVER-HUNG LOAD LBS.	GEAR MOTOR TYPE & FRAME	RATIO	"XH"	"XL"	TOLERANCES UNLESS SPECIFIED		TITLE	DRAWN
									DEC	INCHES		
M1135249.00	42-7	80	1/8	235	13F60-34C	60:1	5.89	10.39	--	REDRAWN IN SOLIDWORKS	PG 8/17/10	IPG 1/23/01
M1135250.00	250-4	25	1/8	235	13F10-34C	10:1	5.89	10.39	07	CHANGED TO DIE CAST GEARBOX, ECN 06-3023	RPB 7/12/06	CHK
M1135251.00	62-1	135	1/4	235	13F40-34G	40:1	8.14	12.64	NO	REVISION	BY & DATE	APPR
M1135252.00	125-2.1	90	1/4	235	13F20-34G	20:1	8.14	12.64		THIRD ANGLE PROJECTION		SAD 1/23/01
											SCALE	9:16
											REF	M1030350
											FMF	M1135249.00
											PAGE	OF
											REV	--
											SIZE	DRAWING NO
											B	M1030810
											NETWORK FILE NAME	M1030810

D.C. MOTORS



EXTERNAL CONNECTIONS FOR CW ROTATION
 VIEWING LEAD END OF MOTOR WITH RED LEAD
 POSITIVE AND BLACK LEAD NEGATIVE (-)
 FOR CCW ROTATION REVERSE POLARITY

				TOLERANCES UNLESS OTHERWISE SPECIFIED		LEESON ELECTRIC CORPORATION			
				DECIMALS					
03	CORRECTED "N" AND "S", ECR 80000 (PER B.C.)	VS	08/15/02	.00	± .01	DRAWN DWF 3/26/93	TITLE CONNECTION DIAGRAM		
02	ROTATED DETAIL VIEWS OF LEADS	SAD	2/4/98	.000	± .005	CH'K'D.			
01	REVERSE ROTATION WAS CW	SPV	6/3/94	.0000	± .0005	APPR.	MAT'L.		
NO.	REVISION	BY	DATE	FRACTIONS	± 1/64	SCALE 1=1			
THIS DRAWING IN DESIGN AND DETAIL IS OUR PROPERTY AND MUST NOT BE USED EXCEPT IN CONNECTION WITH OUR WORK ALL RIGHTS OF DESIGN OR INVENTION ARE RESERVED				ANGLES	± 1/2'	REF. M1005124	FINISH LEESON	SIZE A	DRAWING NO. M1005143-01
				INCH/MM		FMF M1125046	STOCK		

```
ERROR: syntaxerror
OFFENDING COMMAND: --nostringval--
STACK:
/p2e
-savelevel-
```