

# PRODUCT INFORMATION PACKET



Model No: CM34D25NZ160A  
Catalog No: M1135251.00  
...40:1.62RPM.135LBIN.1/4HP.34....12V.DC.TENV  
Right Angle



Regal and Leeson are trademarks of Regal Beloit Corporation or one of its affiliated companies.  
©2018 Regal Beloit Corporation, All Rights Reserved. MC017097E





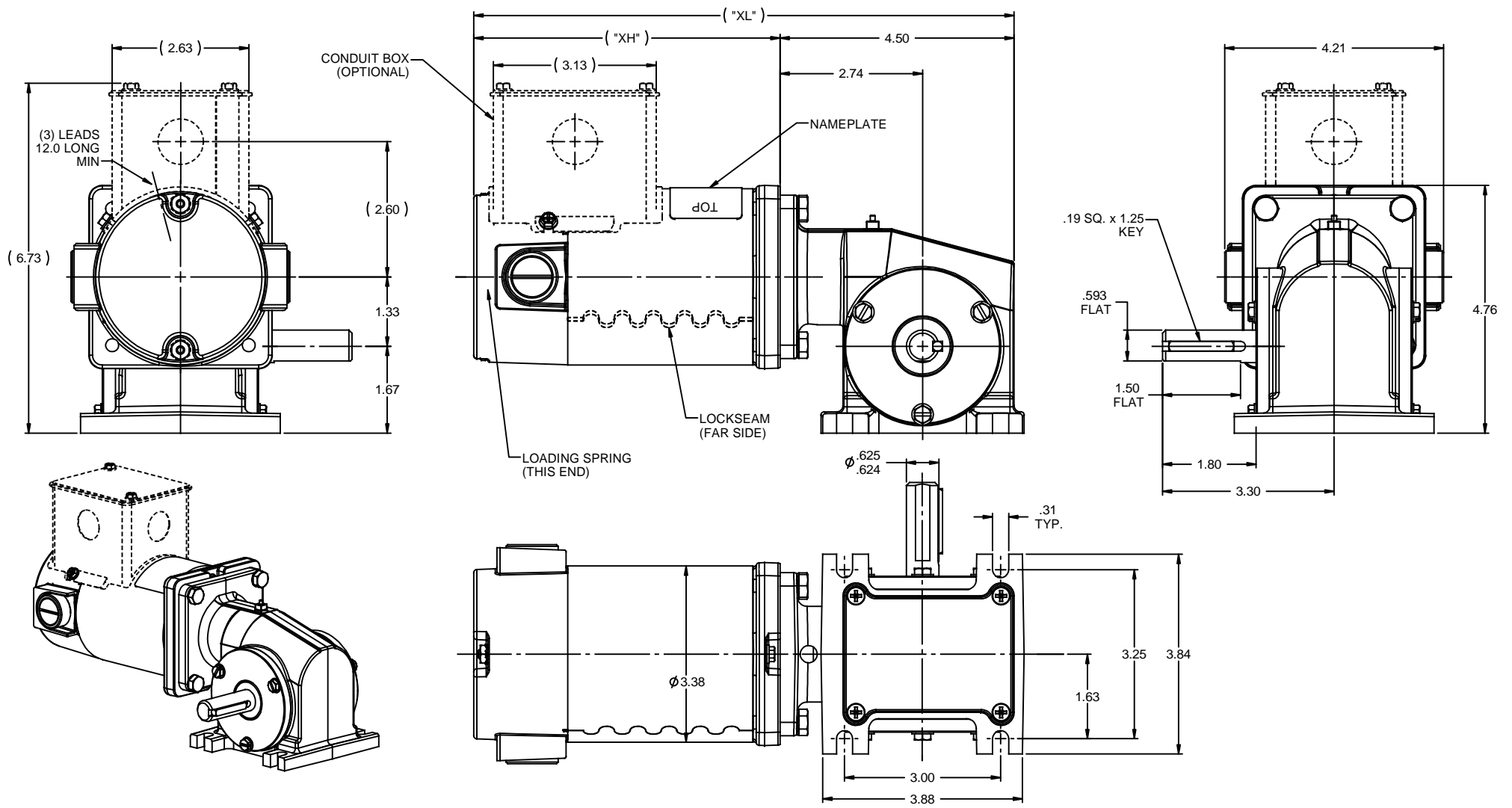
### Nameplate Specifications

Output HP	<b>0.25 Hp</b>	Output KW	<b>0.19 kW</b>
Voltage	<b>12 V</b>	Current	<b>21.0 A</b>
Speed	<b>62 rpm</b>	Service Factor	<b>1</b>
Efficiency	<b>30 %</b>	Duty	<b>Continuous</b>
Insulation Class	<b>F</b>	Frame	<b>34</b>
Enclosure	<b>Totally Enclosed Non Ventilated</b>	Overload Protector	<b>No</b>
Ambient Temperature	<b>40 °C</b>	Drive End Bearing Size	<b>6201</b>
Opp Drive End Bearing Size	<b>608</b>	UL	<b>Recognized</b>
CSA	<b>Y</b>	CE	<b>N</b>

### Technical Specifications

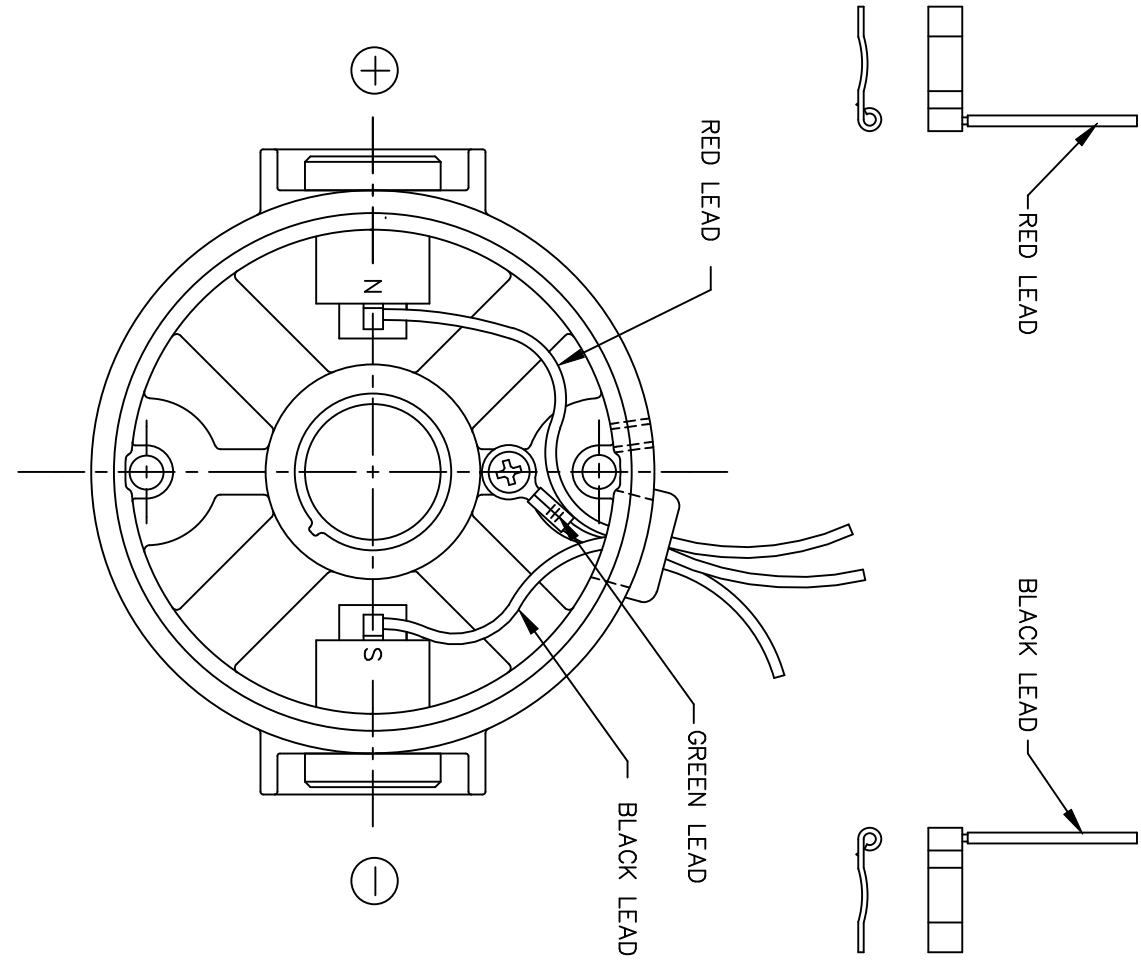
Rotation	<b>Reversible</b>	Mounting	<b>Special</b>
Shaft Type	<b>Right Angle</b>	Overall Length	<b>12.64 in</b>
Frame Length	<b>5.81 in</b>	Shaft Diameter	<b>0.625 in</b>
Shaft Extension	<b>1.8 in</b>		
Outline Drawing	<b>M1030810-M1135251</b>	Connection Diagram	<b>M100514301</b>

**This is an uncontrolled document once printed or downloaded and is subject to change without notice. Date Created: 10/15/2018**



CATALOG NUMBER	SPEED RANGE RPM	FULL LOAD TORQUE LB-IN	INPUT H.P.	OVERHUNG LOAD LBS.	GEAR MOTOR TYPE & FRAME	RATIO	"XH"	"XL"	TOLERANCES UNLESS SPECIFIED		LEESON	ELECTRIC MOTORS GEARMOTORS AND DRIVES	DRAWN IPG 1/23/01			
									DEC	INCHES				CHK	REV	
M1135249.00	42-7	80	1/8	235	13F60-34C	60:1	5.89	10.39	--	REDRAWN IN SOLIDWORKS	PG 8/17/10	XX ±.03	TITLE OUTLINE	SCALE 9:16		
M1135250.00	250-4	25	1/8	235	13F10-34C	10:1	5.89	10.39	07	CHANGED TO DIE CAST GEARBOX, ECN 06-3023	RPB 7/12/06	XXX ±.005	34 FRAME DC - 13 SERIES 12 V. GEARMOTOR	REF M1030350		
M1135251.00	62-1	135	1/4	235	13F40-34G	40:1	8.14	12.64	NO			BC XXXX ±.0005	MATL	FMF M1135249.00		
M1135252.00	125-2.1	90	1/4	235	13F20-34G	20:1	8.14	12.64		REVISION	BY & DATE	CHK ANG ±1/2"	FINISH	PAGE OF		
THIRD ANGLE PROJECTION												RFP	PREV	SIZE	DRAWING NO	REV
												NETWORK FILE NAME	M1030810	<b>B</b>	<b>M1030810</b>	--

D.C. MOTORS



EXTERNAL CONNECTIONS FOR CW ROTATION  
 VIEWING LEAD END OF MOTOR WITH RED LEAD  
 POSITIVE AND BLACK LEAD NEGATIVE (-)  
 FOR CCW ROTATION REVERSE POLARITY

				TOLERANCES UNLESS OTHERWISE SPECIFIED		<b>LEESON</b> ELECTRIC CORPORATION			
				DECIMALS					
03	CORRECTED "N" AND "S", ECR 80000 (PER B.C.)	VS	08/15/02	.00	± .01	DRAWN DWF 3/26/93	TITLE CONNECTION DIAGRAM		
02	ROTATED DETAIL VIEWS OF LEADS	SAD	2/4/98	.000	± .005	CH'K'D.			
01	REVERSE ROTATION WAS CW	SPV	6/3/94	.0000	± .0005	APPR.	MAT'L.		
NO.	REVISION	BY	DATE	FRACTIONS	± 1/64	SCALE 1=1			
THIS DRAWING IN DESIGN AND DETAIL IS OUR PROPERTY AND MUST NOT BE USED EXCEPT IN CONNECTION WITH OUR WORK ALL RIGHTS OF DESIGN OR INVENTION ARE RESERVED				ANGLES	± 1/2'	REF. M1005124	FINISH LEESON	SIZE A	DRAWING NO.
				INCH/MM		FMF M1125046	STOCK		M1005143-01

```
ERROR: syntaxerror
OFFENDING COMMAND: --nostringval--
STACK:
/p2e
-savelevel-
```