

# PRODUCT INFORMATION PACKET



Model No: CM34D25NZ159A  
Catalog No: M1135250.00  
...10:1.250RPM.25LBIN.1/8HP.34....12V.DC.TENV  
Right Angle



Regal and Leeson are trademarks of Regal Beloit Corporation or one of its affiliated companies.  
©2018 Regal Beloit Corporation, All Rights Reserved. MC017097E





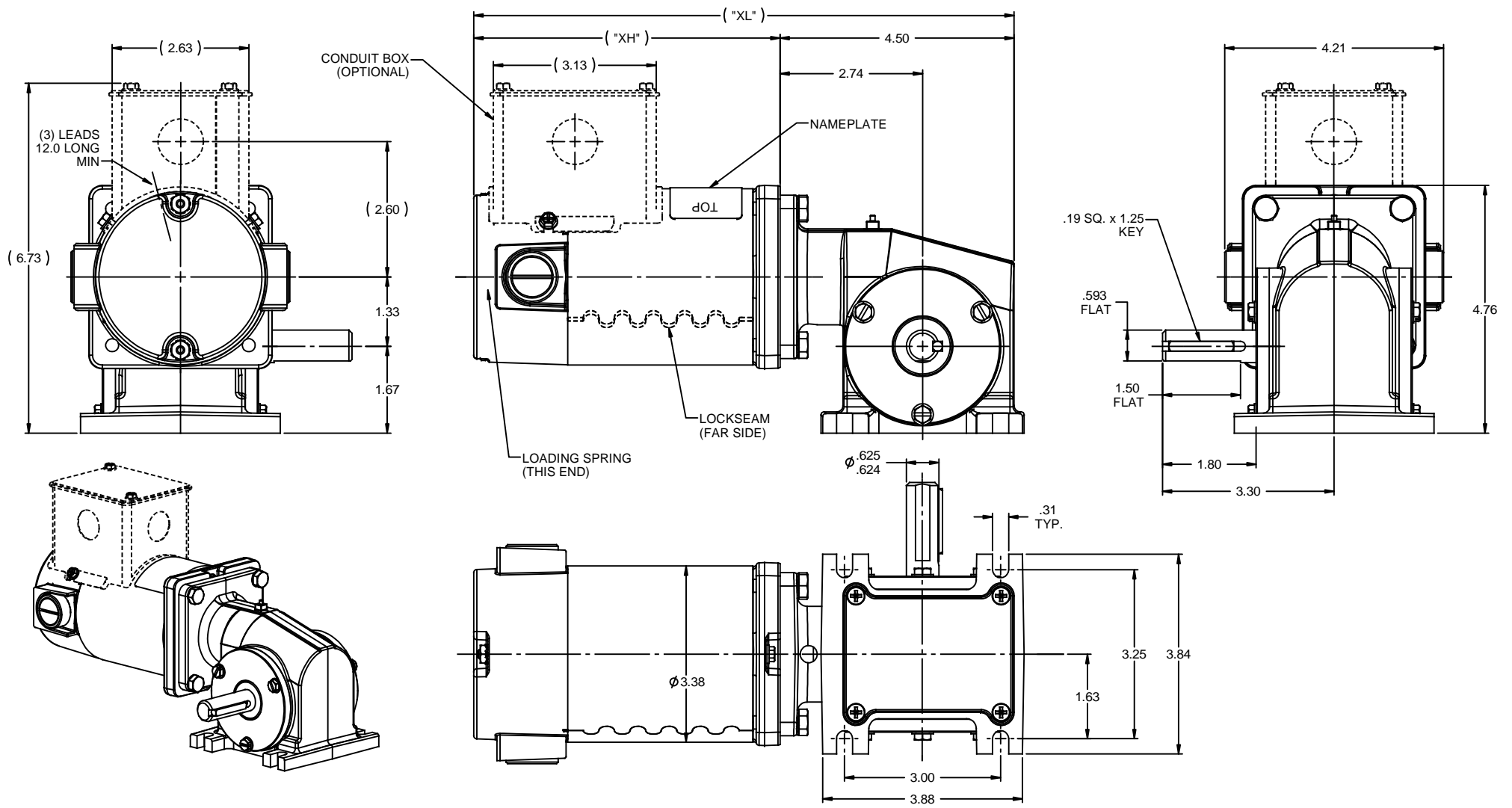
### Nameplate Specifications

Output HP	0.13 Hp	Output KW	0.10 kW
Voltage	12 V	Current	11.0 A
Speed	250 rpm	Service Factor	1
Efficiency	28.4 %	Duty	Continuous
Insulation Class	H	Frame	34
Enclosure	Totally Enclosed Non Ventilated	Overload Protector	No
Ambient Temperature	40 °C	Drive End Bearing Size	6201
Opp Drive End Bearing Size	608	UL	Recognized
CSA	Y	CE	N

### Technical Specifications

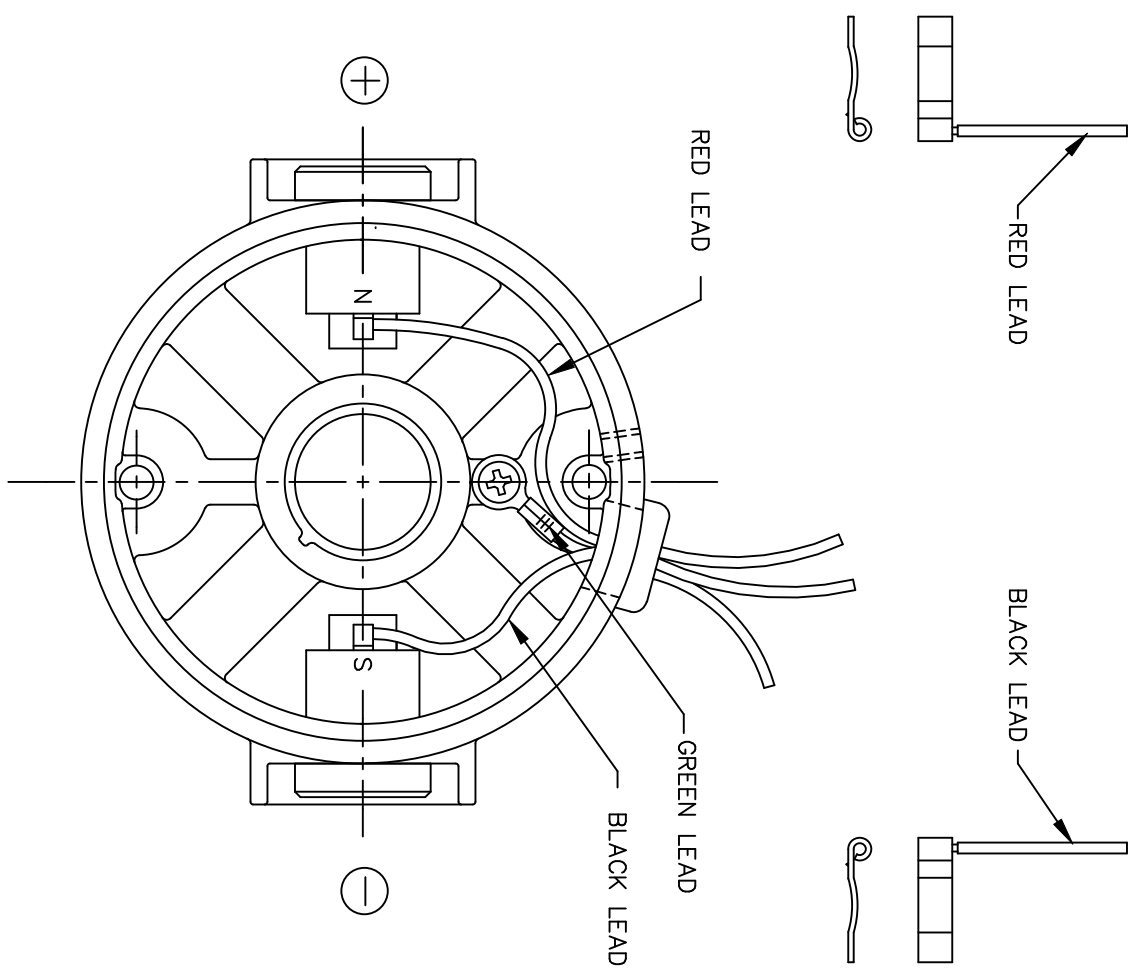
Rotation	Reversible	Mounting	Special
Shaft Type	Right Angle	Overall Length	10.39 in
Frame Length	3.56 in	Shaft Diameter	0.625 in
Shaft Extension	1.8 in		
Outline Drawing	M1030810-M1135250	Connection Diagram	M100514301

This is an uncontrolled document once printed or downloaded and is subject to change without notice. Date Created: 10/15/2018



CATALOG NUMBER	SPEED RANGE RPM	FULL LOAD TORQUE LB-IN	INPUT H.P.	OVERHUNG LOAD LBS.	GEAR MOTOR TYPE & FRAME	RATIO	"XH"	"XL"	TOLERANCES UNLESS SPECIFIED		LEESON	ELECTRIC MOTORS GEARMOTORS AND DRIVES	DRAWN IPG 1/23/01		
									DEC	INCHES				CHK	REV
M1135249.00	42-7	80	1/8	235	13F60-34C	60:1	5.89	10.39	--	REDRAWN IN SOLIDWORKS	PG 8/17/10	XX ±.03	TITLE OUTLINE	APPR SAD 1/23/01	
M1135250.00	250-4	25	1/8	235	13F10-34C	10:1	5.89	10.39	07	CHANGED TO DIE CAST GEARBOX, ECN 06-3023	RPB 7/12/06	XXX ±.005	34 FRAME DC - 13 SERIES 12 V. GEARMOTOR	SCALE 9:16	
M1135251.00	62-1	135	1/4	235	13F40-34G	40:1	8.14	12.64	NO	REVISION	BY & DATE	BC XXXX ±.0005	MATL	REF M1030350	
M1135252.00	125-2.1	90	1/4	235	13F20-34G	20:1	8.14	12.64		THIRD ANGLE PROJECTION		CHK ANG ±1/2"	FINISH	FMF M1135249.00	
											RFP	PREV	PAGE OF		
											NETWORK FILE NAME	M1030810	SIZE	DRAWING NO	REV
												B	M1030810	--	

D.C. MOTORS



EXTERNAL CONNECTIONS FOR CW ROTATION  
 VIEWING LEAD END OF MOTOR WITH RED LEAD  
 POSITIVE AND BLACK LEAD NEGATIVE (-)  
 FOR CCW ROTATION REVERSE POLARITY

				TOLERANCES UNLESS OTHERWISE SPECIFIED		<b>LEESON</b> ELECTRIC CORPORATION			
				DECIMALS					
03	CORRECTED "N" AND "S", ECR 80000 (PER B.C.)	VS	08/15/02	.00	± .01	DRAWN DWF 3/26/93	TITLE CONNECTION DIAGRAM		
02	ROTATED DETAIL VIEWS OF LEADS	SAD	2/4/98	.000	± .005	CH'K'D.			
01	REVERSE ROTATION WAS CW	SPV	6/3/94	.0000	± .0005	APPR.	MAT'L.		
NO.	REVISION	BY	DATE	FRACTIONS	± 1/64	SCALE 1=1			
THIS DRAWING IN DESIGN AND DETAIL IS OUR PROPERTY AND MUST NOT BE USED EXCEPT IN CONNECTION WITH OUR WORK ALL RIGHTS OF DESIGN OR INVENTION ARE RESERVED				ANGLES	± 1/2'	REF. M1005124	FINISH LEESON	SIZE A	DRAWING NO.
				INCH/MM		FMF M1125046	STOCK		M1005143-01

```
ERROR: syntaxerror
OFFENDING COMMAND: --nostringval--
STACK:
/p2e
-savelevel-
```