

PRODUCT INFORMATION PACKET



Model No: CM34D25NZ157A
Catalog No: M1135246.00
...29:1.83RPM.155LBIN.1/4HP.34....12V.DC.TENV
PE350 Series



Regal and Leeson are trademarks of Regal Beloit Corporation or one of its affiliated companies.
©2018 Regal Beloit Corporation, All Rights Reserved. MC017097E





Nameplate Specifications

Output HP	0.25 Hp	Output KW	0.19 kW
Voltage	12 V	Current	21.0 A
Speed	83 rpm	Service Factor	1
Efficiency	65.2 %	Duty	Continuous
Insulation Class	F	Frame	34
Enclosure	Totally Enclosed Non Ventilated	Overload Protector	No
Ambient Temperature	40 °C	Drive End Bearing Size	6201
Opp Drive End Bearing Size	608	UL	Recognized
CSA	Y	CE	N

Technical Specifications

Rotation	Reversible	Mounting	Special
Shaft Type	Parallel	Overall Length	13.31 in
Frame Length	6.06 in	Shaft Diameter	0.750 in
Shaft Extension	1.625 in		
Outline Drawing	M1030807-M1135246	Connection Diagram	M100514301

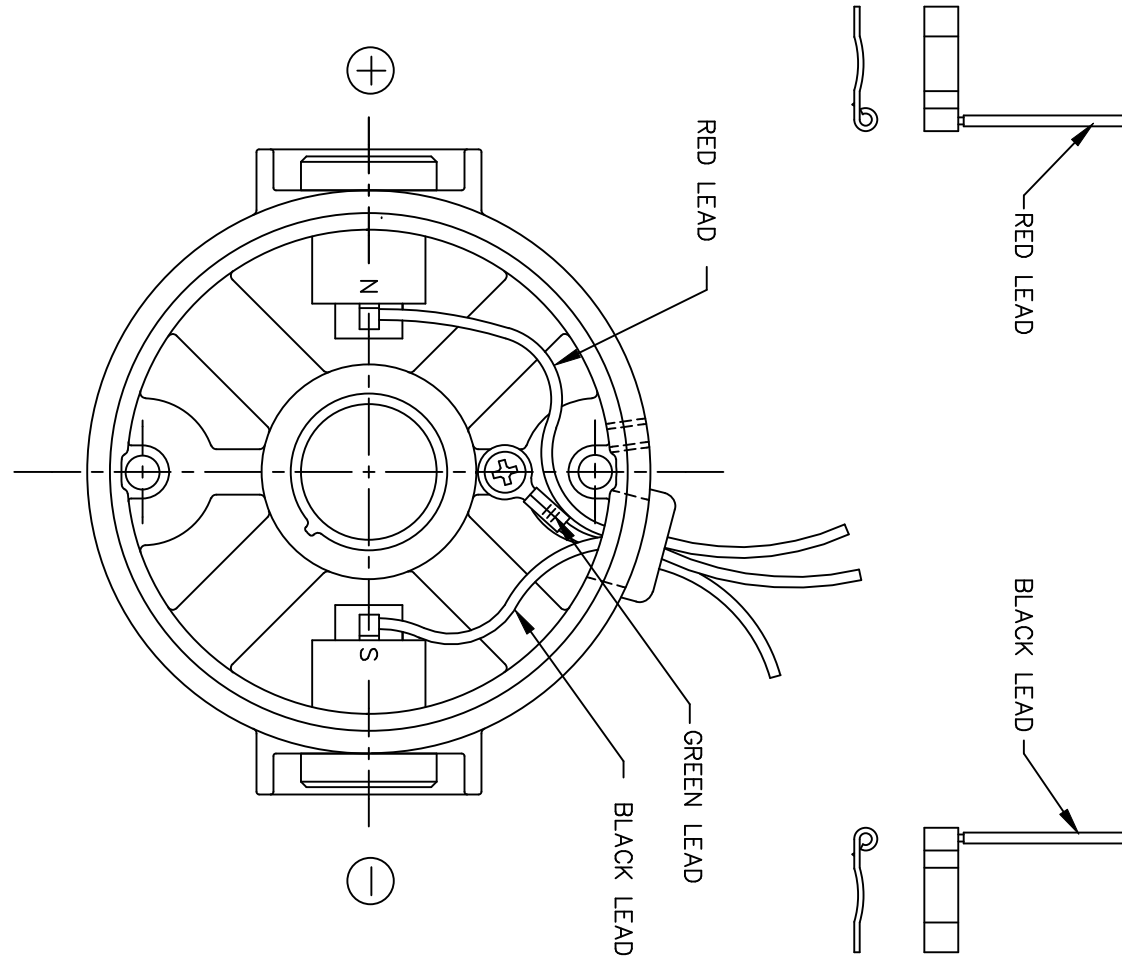
This is an uncontrolled document once printed or downloaded and is subject to change without notice. Date Created: 10/15/2018


```
ERROR: syntaxerror  
OFFENDING COMMAND: --nostringval--
```

```
STACK:
```

```
-dictionary-  
/Pscript_MinNT_Compat  
-dictionary-
```

D.C. MOTORS



EXTERNAL CONNECTIONS FOR CW ROTATION
 VIEWING LEAD END OF MOTOR WITH RED LEAD
 POSITIVE AND BLACK LEAD NEGATIVE (-)
 FOR CCW ROTATION REVERSE POLARITY

				TOLERANCES UNLESS OTHERWISE SPECIFIED		LEESON ELECTRIC CORPORATION			
				DECIMALS					
03	CORRECTED "N" AND "S", ECR 80000 (PER B.C.)	VS	08/15/02	.00	± .01	DRAWN DWF 3/26/93	TITLE CONNECTION DIAGRAM		
02	ROTATED DETAIL VIEWS OF LEADS	SAD	2/4/98	.000	± .005	CH'K'D.			
01	REVERSE ROTATION WAS CW	SPV	6/3/94	.0000	± .0005	APPR.	MAT'L.		
NO.	REVISION	BY	DATE	FRACTIONS	± 1/64	SCALE 1=1			
THIS DRAWING IN DESIGN AND DETAIL IS OUR PROPERTY AND MUST NOT BE USED EXCEPT IN CONNECTION WITH OUR WORK ALL RIGHTS OF DESIGN OR INVENTION ARE RESERVED				ANGLES	± 1/2'	REF. M1005124	FINISH LEESON	SIZE A	DRAWING NO. M1005143-01
				INCH/MM		FMF M1125046	STOCK		

```
ERROR: syntaxerror
OFFENDING COMMAND: --nostringval--
STACK:
/p2e
-savelevel-
```