

PRODUCT INFORMATION PACKET



Model No: CM34D25NZ57B

Catalog No: M1135114.00

...29:1.83RPM.155LBIN.1/4HP.34...DC GEARMOTORS SUB-FHP.90V..TENV.CM34D25NZ57B
PE350 Series



Regal and Leeson are trademarks of Regal Beloit Corporation or one of its affiliated companies.

©2018 Regal Beloit Corporation, All Rights Reserved. MC017097E





Nameplate Specifications

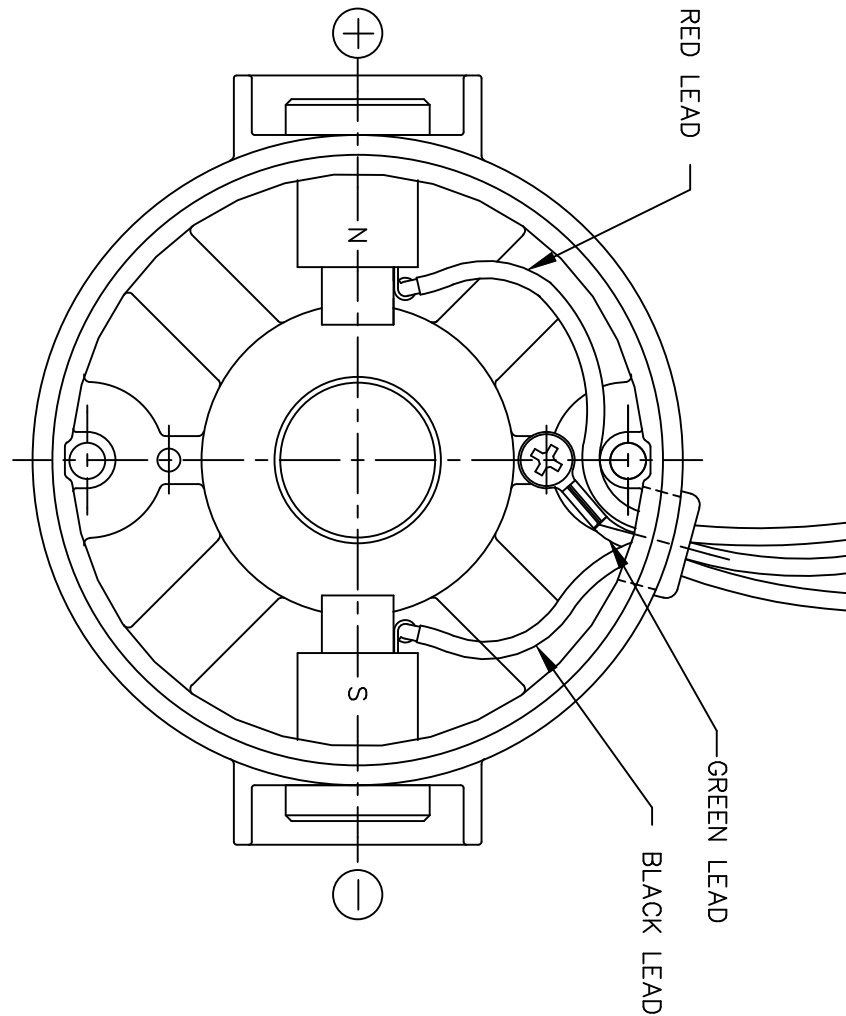
Output HP	0.25 Hp	Output KW	0.19 kW
Voltage	90 V	Current	2.3 A
Speed	83 rpm	Service Factor	1
Efficiency	72.5 %	Duty	Continuous
Insulation Class	F	Frame	34
Enclosure	Totally Enclosed Non Ventilated	Overload Protector	No
Ambient Temperature	40 °C	Drive End Bearing Size	6201
Opp Drive End Bearing Size	608	UL	Recognized
CSA	Y	CE	Y

Technical Specifications

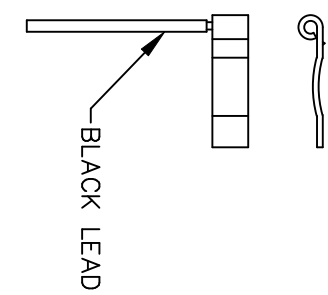
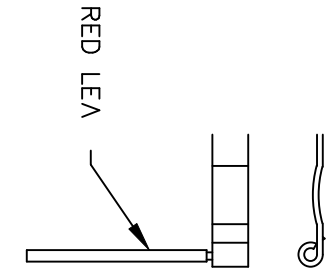
Rotation	Reversible	Mounting	Special
Shaft Type	Parallel	Overall Length	13.31 in
Frame Length	6.06 in	Shaft Diameter	0.750 in
Shaft Extension	1.625 in		
Outline Drawing	M1030589-M1135114	Connection Diagram	M100512401

This is an uncontrolled document once printed or downloaded and is subject to change without notice. Date Created: 10/15/2018

D.C. MOTORS



EXTERNAL CONNECTIONS FOR CW ROTATION
 VIEWING LEAD END OF MOTOR WITH RED LEAD
 POSITIVE AND BLACK LEAD NEGATIVE (-)
 FOR CCW ROTATION REVERSE POLARITY



07	CORRECTED "N" & "S", ECR 80000 (PER BC)	VS	8/14/02	BC	TOLERANCES UNLESS SPECIFIED		LEESON ELECTRIC MOTORS GEARMOTORS AND DRIVES	DRAWN	SPV 12/10/91	
06	REMOVED GROUND HOLE	TMZ	3/16/95	DEC.	INCHES			CHK	DWF 5/20/92	
05	REVERSE ROTATION WAS CW	SPV	6/3/94	.X	±.1		APPD			
04	CHANGED ROTATION FROM CCW TO CW	MJS	3/9/93	.XX	±.01		TITLE	CONNECTION DIAGRAM	SCALE	1=1
03	REVISED ROTATION NOTE	DWF	1/6/93	.XXX	±.005			REF		
02	ADDED GREEN LEAD	DWF	8/1/92	.XXXX	±.0005		MAT'L.	FMF	M9131D2N22	
NO.	REVISION	BY & DATE	CHK	ANG	±1/2"		FINISH	PREV		
THIS DRAWING IN DESIGN AND DETAIL IS OUR PROPERTY AND MUST NOT BE USED EXCEPT IN CONNECTION WITH OUR WORK ALL RIGHTS OF DESIGN AND INVENTION ARE RESERVED THIS IS AN ELECTRONICALLY GENERATED DOCUMENT - DO NOT SCALE THIS PRINT				RFP	CAD FILE	M100512401	SIZE	DRAWING NO.	REV.	
				DIST			A	M1005124.01	07	