

# PRODUCT INFORMATION PACKET



Model No: CM34D25NZ61C

Catalog No: M1135107.00

...180:1.14RPM.341LBIN.1/8HP.34...DC GEARMOTORS SUB-FHP.90V.DC.TENV  
PE350 Series



Regal and Leeson are trademarks of Regal Beloit Corporation or one of its affiliated companies.

©2018 Regal Beloit Corporation, All Rights Reserved. MC017097E





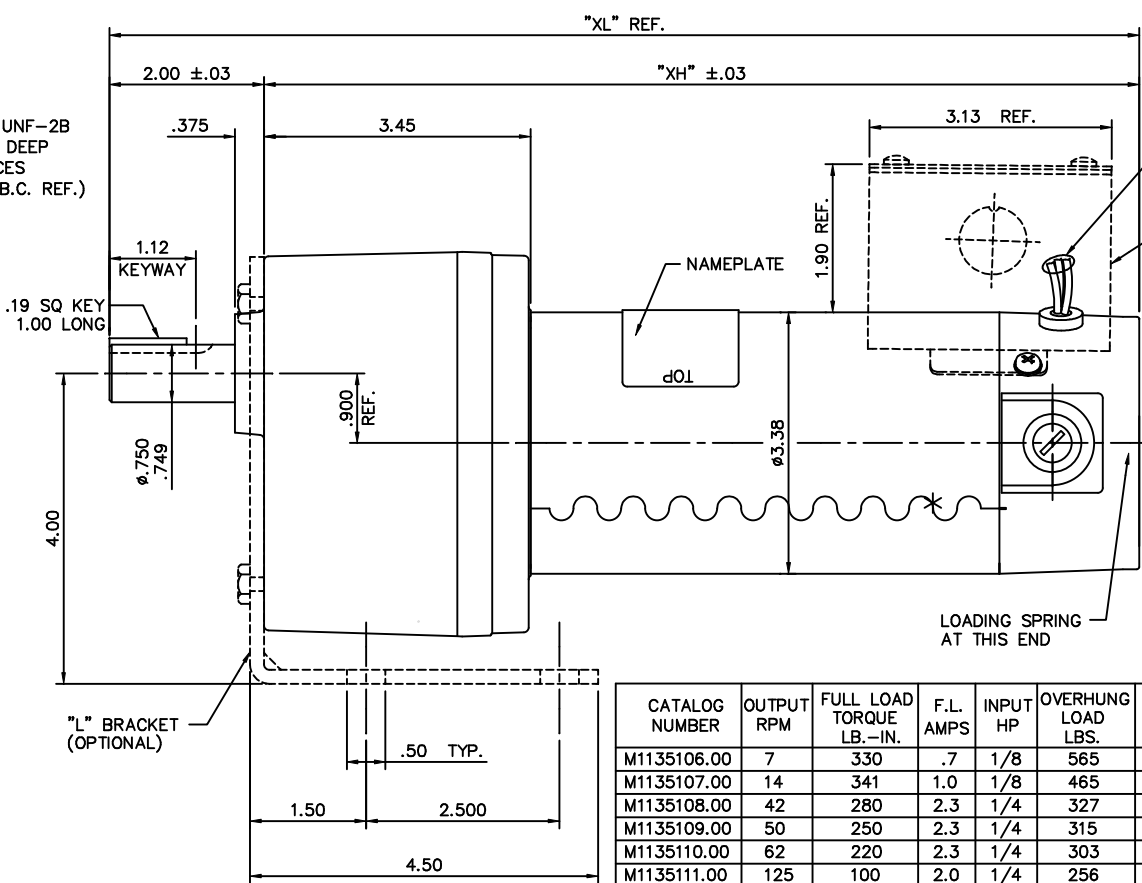
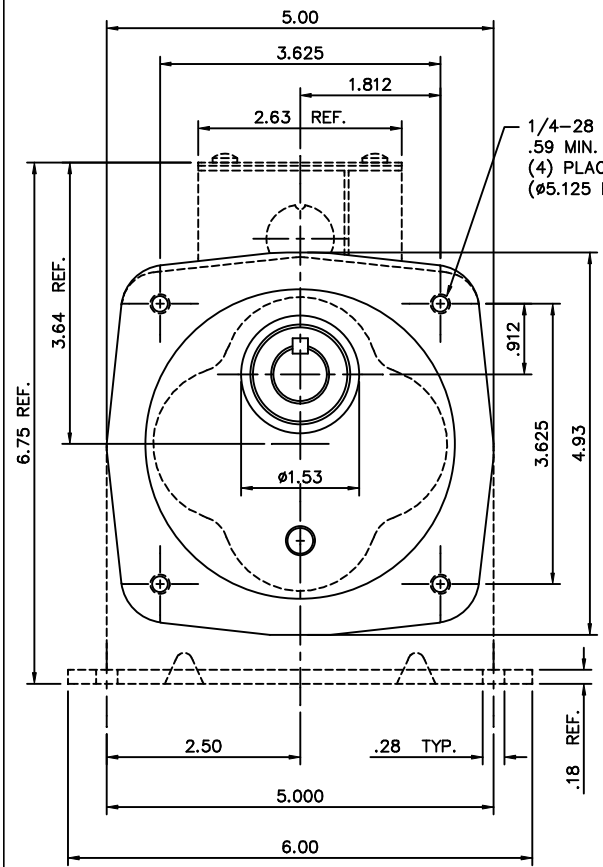
### Nameplate Specifications

Output HP	<b>0.13 Hp</b>	Output KW	<b>0.10 kW</b>
Voltage	<b>90 V</b>	Current	<b>1.0 A</b>
Speed	<b>14 rpm</b>	Service Factor	<b>1</b>
Efficiency	<b>47.2 %</b>	Duty	<b>Continuous</b>
Insulation Class	<b>F</b>	Frame	<b>34</b>
Enclosure	<b>Totally Enclosed Non Ventilated</b>	Overload Protector	<b>No</b>
Ambient Temperature	<b>40 °C</b>	Drive End Bearing Size	<b>6201</b>
Opp Drive End Bearing Size	<b>608</b>	UL	<b>Recognized</b>
CSA	<b>Y</b>	CE	<b>Y</b>

### Technical Specifications

Rotation	<b>Reversible</b>	Mounting	<b>Special</b>
Shaft Type	<b>Parallel</b>	Overall Length	<b>11.31 in</b>
Frame Length	<b>4.06 in</b>	Shaft Diameter	<b>0.750 in</b>
Shaft Extension	<b>1.625 in</b>		
Outline Drawing	<b>M1030589-M1135107</b>	Connection Diagram	<b>M100512401</b>

This is an uncontrolled document once printed or downloaded and is subject to change without notice. Date Created: 10/15/2018



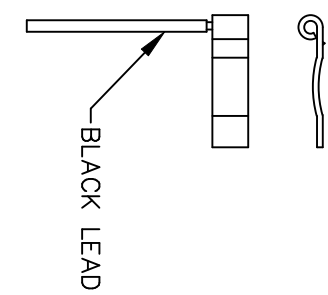
CATALOG NUMBER	OUTPUT RPM	FULL LOAD TORQUE LB.-IN.	F.L. AMPS	INPUT HP	OVERHUNG LOAD LBS.	GEARMOTOR TYPE & FRAME	RATIO TO 1	"XL"	"XH"
M1135106.00	7	330	.7	1/8	565	P353-34	336	11.31	9.31
M1135107.00	14	341	1.0	1/8	465	P353-34	180	11.31	9.31
M1135108.00	42	280	2.3	1/4	327	P353-34	58	13.31	11.31
M1135109.00	50	250	2.3	1/4	315	P353-34	50	13.31	11.31
M1135110.00	62	220	2.3	1/4	303	P353-34	43	13.31	11.31
M1135111.00	125	100	2.0	1/4	256	P352-34	22.67	13.31	11.31
M1135112.00	165	70	2.0	1/4	232	P352-34	15	13.31	11.31
M1135113.00	500	25	2.0	1/4	194	P352-34	5.44	13.31	11.31
M1135114.00	83	155	2.3	1/4	267	P352-34	29	13.31	11.31
M1135115.00	27	305	1.5	1/4	374	P353-34	91	13.31	11.31
M1135116.00	250	45	2.0	1/4	201	P352-34	10.6	13.31	11.31
M1135117.00	21	371	1.1	1/4	413	P353-34	124	13.31	11.31

		TOLERANCES UNLESS SPECIFIED			ELECTRIC MOTORS GEARMOTORS AND DRIVES	DRAWN DWF 6/26/97
	DEC.	INCHES				CHK
	.X	±.1				APPD
03	1/4-28 UNF-2B TAPS WERE .63 DEEP PER ECR81849.	RPB 11/24/03	BC	.XX	±.03	TITLE
02	1.12 KEYWAY WAS 1.03	IPG 11/30/00	SAD	.XXX	±.005	OUTLINE
01	UPDATED TO CATALOG INFORMATION PER KK	CAS 10/31/00	SAD	.XXXX	±.0005	34 FRAME PE350 STOCK - 90 V
NO.	REVISION	BY & DATE	CHK	ANG	±1/2"	MAT'L
THIS DRAWING IN DESIGN AND DETAIL IS OUR PROPERTY AND MUST NOT BE USED EXCEPT IN CONNECTION WITH OUR WORK ALL RIGHTS OF DESIGN AND INVENTION ARE RESERVED THIS IS AN ELECTRONICALLY GENERATED DOCUMENT - DO NOT SCALE THIS PRINT				RFP	CAD FILE	M1030589
				DIST	SIZE	DRAWING NO.
					B	M1030589.00
						REV.
						03

D.C. MOTORS



EXTERNAL CONNECTIONS FOR CW ROTATION  
 VIEWING LEAD END OF MOTOR WITH RED LEAD  
 POSITIVE AND BLACK LEAD NEGATIVE (-)  
 FOR CCW ROTATION REVERSE POLARITY



07	CORRECTED "N" & "S", ECR 80000 (PER BC)	VS	8/14/02	BC	TOLERANCES UNLESS SPECIFIED		<b>LEESON</b> ELECTRIC MOTORS GEARMOTORS AND DRIVES	DRAWN	SPV 12/10/91
06	REMOVED GROUND HOLE	TMZ	3/16/95	DEC.	INCHES			CHK	DWF 5/20/92
05	REVERSE ROTATION WAS CW	SPV	6/3/94	.X	±.1		APPD		
04	CHANGED ROTATION FROM CCW TO CW	MJS	3/9/93	.XX	±.01		TITLE	CONNECTION DIAGRAM	
03	REVISED ROTATION NOTE	DWF	1/6/93	.XXX	±.005		SCALE	1=1	
02	ADDED GREEN LEAD	DWF	8/1/92	.XXXX	±.0005		REF		
NO.	REVISION	BY & DATE	CHK	ANG	±1/2"		MAT'L.	FMF M9131D2N22	
				RFP	CAD FILE			SIZE	DRAWING NO.
				DIST	M100512401			A	M1005124.01
							REV.	07	