

PRODUCT INFORMATION PACKET



Model No: CM34D25NZ13C

Catalog No: M1135045.00

...10:1.250RPM.50LBIN.1/4HP.34...DC GEARMOTORS SUB-FHP.90V..TENV.CM34D25NZ13C
Right Angle



Regal and Leeson are trademarks of Regal Beloit Corporation or one of its affiliated companies.

©2018 Regal Beloit Corporation, All Rights Reserved. MC017097E





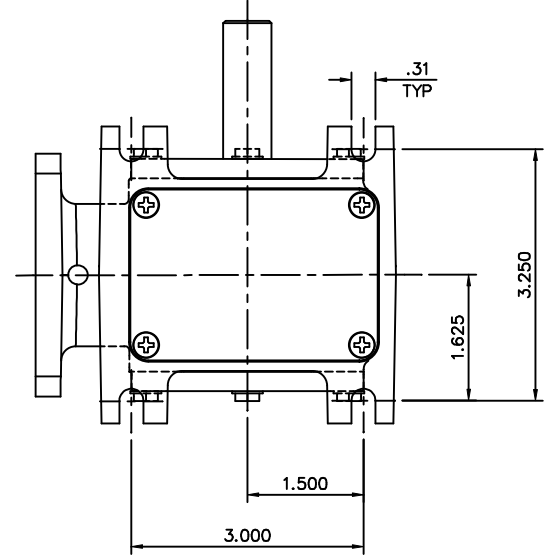
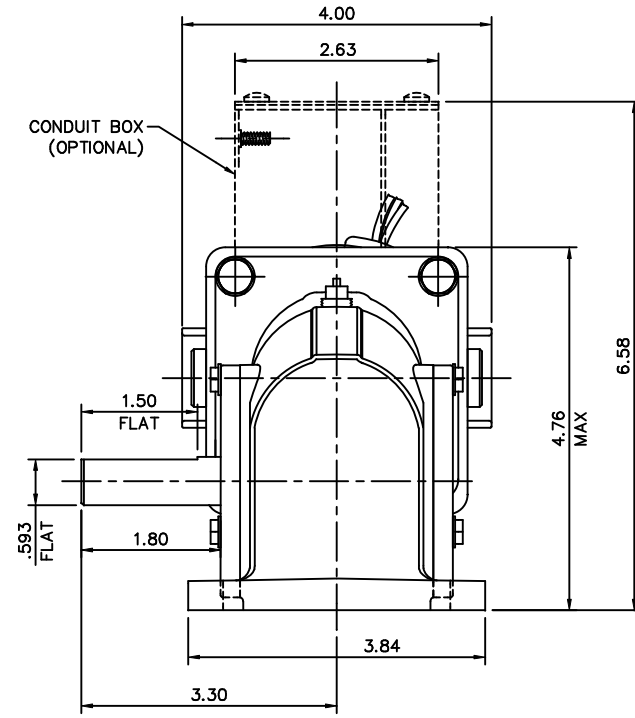
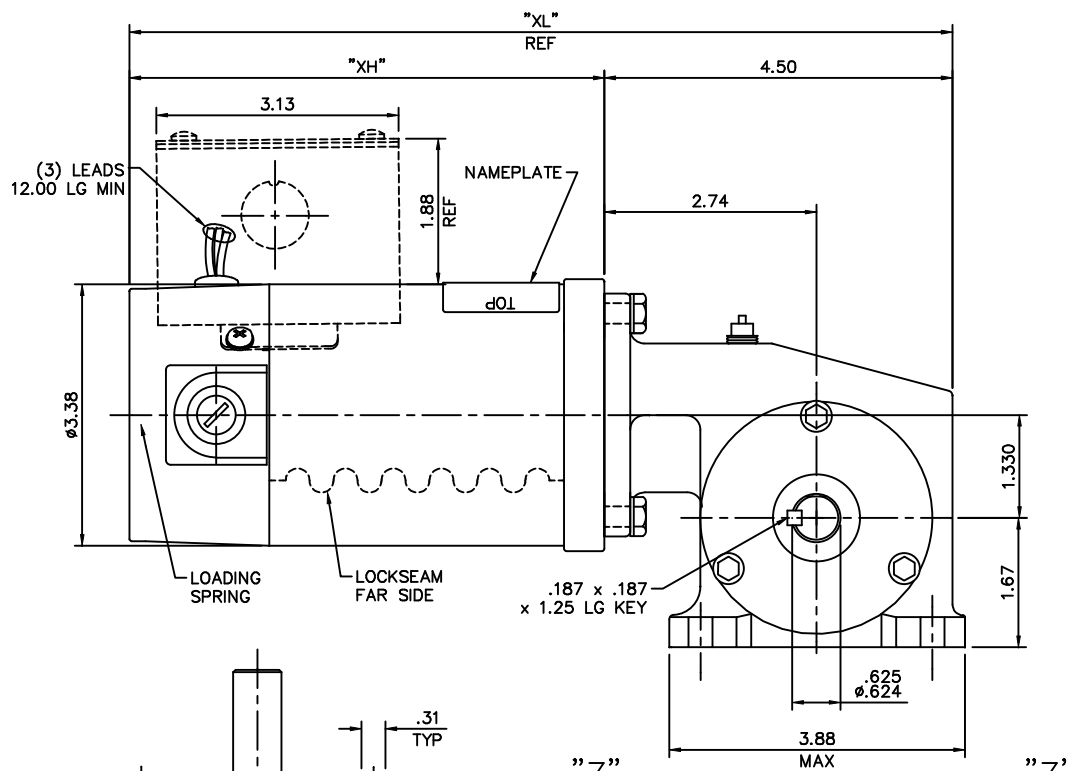
Nameplate Specifications

Output HP	0.25 Hp	Output KW	0.19 kW
Voltage	90 V	Current	2.3 A
Speed	250 rpm	Service Factor	1
Efficiency	37.9 %	Duty	Continuous
Insulation Class	H	Frame	34
Enclosure	Totally Enclosed Non Ventilated	Overload Protector	No
Ambient Temperature	40 °C	Drive End Bearing Size	6201
Opp Drive End Bearing Size	6201	UL	Recognized
CSA	Y	CE	Y

Technical Specifications

Rotation	Reversible	Mounting	Special
Shaft Type	Right Angle	Overall Length	12.64 in
Frame Length	5.81 in	Shaft Diameter	0.625 in
Shaft Extension	1.8 in		
Outline Drawing	M1030350-M1135045	Connection Diagram	M100512401

This is an uncontrolled document once printed or downloaded and is subject to change without notice. Date Created: 10/15/2018



VIEW Z-Z

CATALOG NUMBER	SPEED RANGE RPM	FULL LOAD TORQUE LB.-IN.	INPUT HP	OVERHUNG LOAD LBS.	GEARMOTOR TYPE & FRAME	RATIO TO 1	"XH"	"XL"
M1135069.00	42-7	80	1/8	235	13F60-34C	60	6.14	10.64
M1135038.00	62-1	70	1/8	235	13F40-34C	40	6.14	10.64
M1135039.00	125-2.1	45	1/8	235	13F20-34C	20	6.14	10.64
M1135040.00	250-4	25	1/8	235	13F10-34C	10	6.14	10.64
M1135041.00	500-8	13	1/8	235	13F05-34C	5	6.14	10.64
M1135046.00	500-8	30	1/4	235	13F05-34G	5	8.14	12.64
M1135045.00	250-4	50	1/4	235	13F10-34G	10	8.14	12.64
M1135044.00	125-2.1	90	1/4	235	13F20-34G	20	8.14	12.64
M1135043.00	83-1.4	125	1/4	235	13F30-34G	30	8.14	12.64
M1135042.00	62-1	135	1/4	235	13F40-34G	40	8.14	12.64

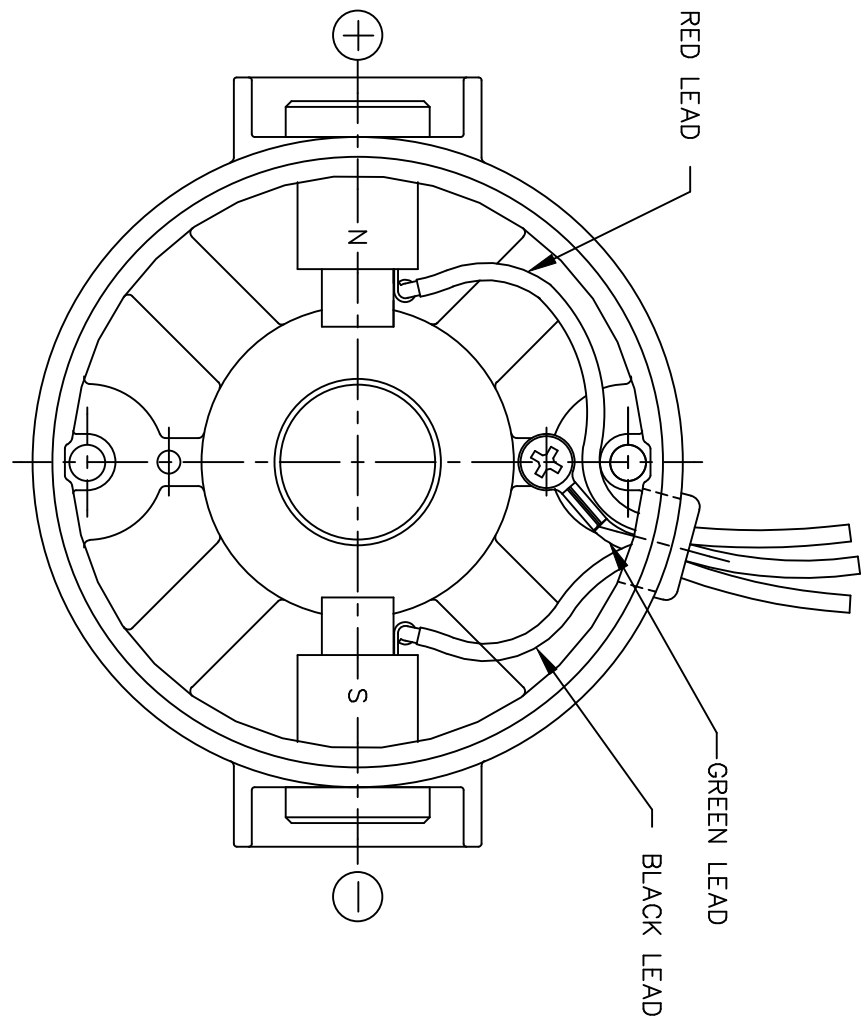
14	CHANGED TO DIE CAST GEARBOX PER ECN 06-3023.	RBP	7/7/06	BC	TOLERANCES UNLESS SPECIFIED	LEESON ELECTRIC MOTORS GEARMOTORS AND DRIVES	DRAWN	DWF	11/30/93	
13	DIM 2.74 WAS 2.76 AND CORRECTED GEARBOX MTG SCREW BOLT HEADS PER ECR 88062	SAD	11/30/05	KLS	DEC. INCHES		CHK	APPD		
12	CORRECTED VIEW "Z-Z" PER OTHER TWO VIEWS PER ECR 73469	BPW	03/15/02	SAD	.XX ±.03 .XXX ±.005	TITLE	SCALE	5=8		
11	KEY LENGTH WAS 1.00 ECR 69990	SAD	08/28/99		.XXXX ±.0005	MAT'L	REF	M1135049.99		
NO.	REVISION	BY & DATE	CHK	ANG	±1/2"	FINISH	FMF	M1135046.00		
THIS DRAWING IN DESIGN AND DETAIL IS OUR PROPERTY AND MUST NOT BE USED EXCEPT IN CONNECTION WITH OUR WORK ALL RIGHTS OF DESIGN AND INVENTION ARE RESERVED THIS IS AN ELECTRONICALLY GENERATED DOCUMENT - DO NOT SCALE THIS PRINT						RFP	CAD FILE	M1030350	SIZE	DRAWING NO.
						DIST	B	M1030350.00	REV.	14

ERROR: syntaxerror
OFFENDING COMMAND: --nostringval--

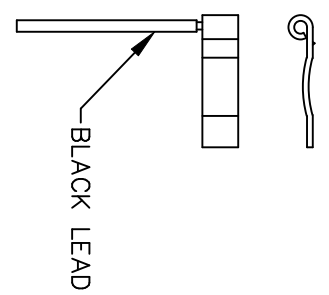
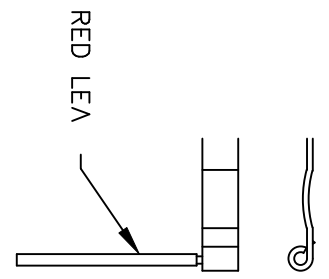
STACK:

220 /Ucircumflex
219 /Uacute
218 /Ugrave
217 /Oslash
216 /multiply
215 /Odieresis
214 /Otilde
213 /Ocircumflex
212 /Oacute
211 /Ograve
210 /Ntilde
209 /Eth
208 /Idieresis
207 /Icircumflex
206 /Iacute
205 /Igrave
204 /Edieresis
203 /Ecircumflex
202 /Eacute
201 /Egrave
200 /Ccedilla
199 /AE
198 /Aring
197 /Adieresis
196 /Atilde
195 /Acircumflex
194 /Aacute
193 /Agrave
192 /questiondown
191 /threequarters
190 /onehalf
189 /onequarter
188 /guillemotright
187 /ordmasculine

D.C. MOTORS



EXTERNAL CONNECTIONS FOR CW ROTATION
 VIEWING LEAD END OF MOTOR WITH RED LEAD
 POSITIVE AND BLACK LEAD NEGATIVE (-)
 FOR CCW ROTATION REVERSE POLARITY



07	CORRECTED "N" & "S", ECR 80000 (PER BC)	VS	8/14/02	BC	TOLERANCES UNLESS SPECIFIED		LEESON	ELECTRIC MOTORS GEARMOTORS AND DRIVES	DRAWN	SPV 12/10/91	
06	REMOVED GROUND HOLE	TMZ	3/16/95	DEC.	INCHES				CHK	DWF 5/20/92	
05	REVERSE ROTATION WAS CW	SPV	6/3/94	.X	±.1		TITLE	CONNECTION DIAGRAM	APPD		
04	CHANGED ROTATION FROM CCW TO CW	MJS	3/9/93	.XX	±.01				SCALE	1=1	
03	REVISED ROTATION NOTE	DWF	1/6/93	.XXX	±.005		MAT'L.		REF		
02	ADDED GREEN LEAD	DWF	8/1/92	.XXXX	±.0005				FINISH		FMF
NO.	REVISION	BY & DATE	CHK	ANG	±1/2"		FINISH		PREV		
THIS DRAWING IN DESIGN AND DETAIL IS OUR PROPERTY AND MUST NOT BE USED EXCEPT IN CONNECTION WITH OUR WORK ALL RIGHTS OF DESIGN AND INVENTION ARE RESERVED THIS IS AN ELECTRONICALLY GENERATED DOCUMENT - DO NOT SCALE THIS PRINT				RFP	CAD FILE			M100512401	SIZE	DRAWING NO.	REV.
				DIST				A	M1005124.01	07	