

# PRODUCT INFORMATION PACKET



Model No: CM34D25NZ9C

Catalog No: M1135041.00

...5:1.500RPM.13LBIN.1/8HP.34...DC GEARMOTORS SUB-FHP.90V..TENV.CM34D25NZ9C  
Right Angle



Regal and Leeson are trademarks of Regal Beloit Corporation or one of its affiliated companies.

©2018 Regal Beloit Corporation, All Rights Reserved. MC017097E





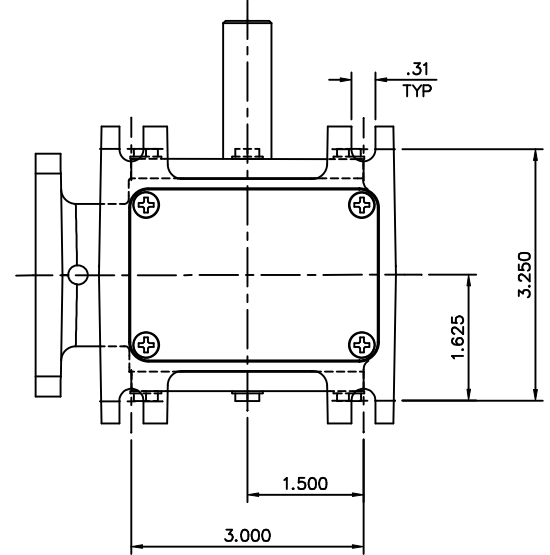
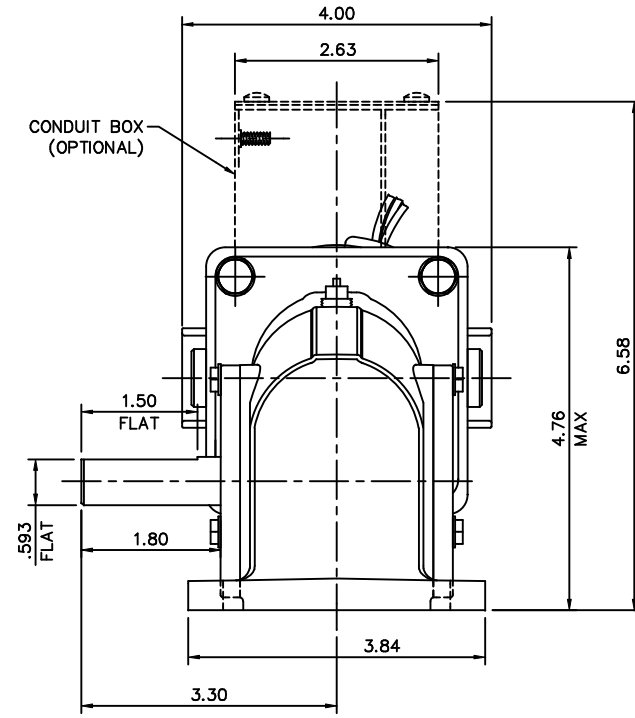
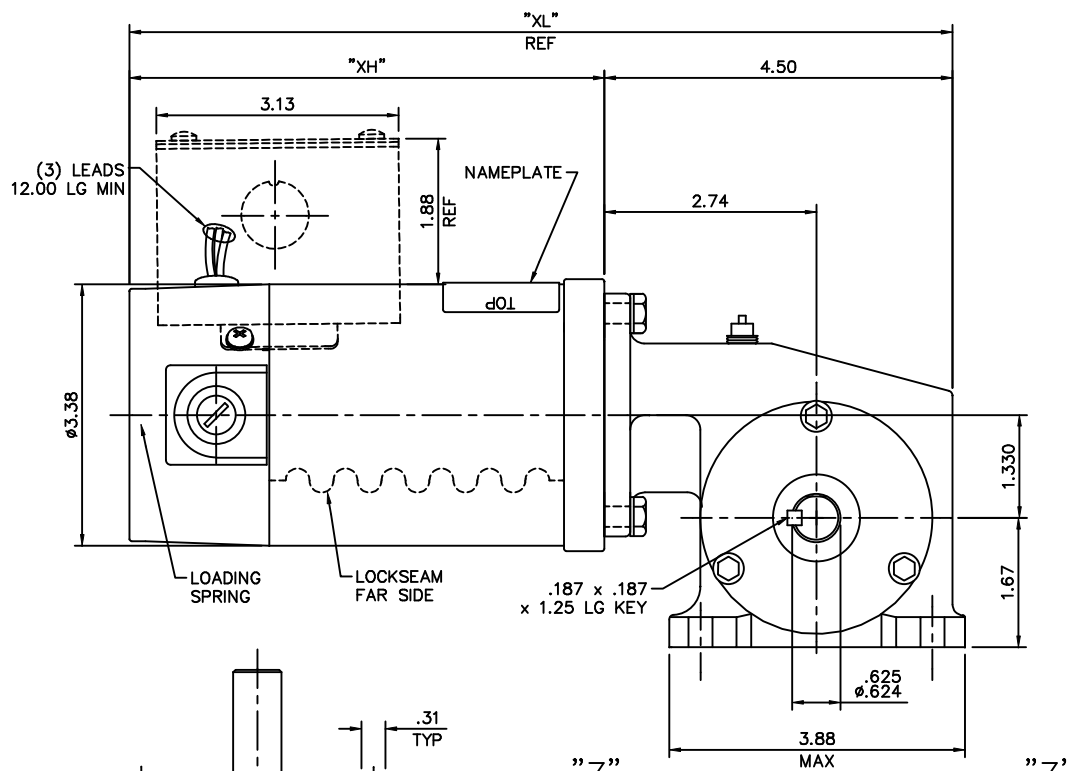
### Nameplate Specifications

Output HP	0.13 Hp	Output KW	0.10 kW
Voltage	90 V	Current	1.4 A
Speed	500 rpm	Service Factor	1
Efficiency	35.7 %	Duty	Continuous
Insulation Class	H	Frame	34
Enclosure	Totally Enclosed Non Ventilated	Overload Protector	No
Ambient Temperature	40 °C	Drive End Bearing Size	6201
Opp Drive End Bearing Size	608	UL	Recognized
CSA	Y	CE	Y

### Technical Specifications


Rotation	Reversible	Mounting	Special
Shaft Type	Right Angle	Overall Length	10.64 in
Frame Length	3.81 in	Shaft Diameter	0.625 in
Shaft Extension	1.8 in		
Outline Drawing	M1030350-M1135041	Connection Diagram	M100512401

This is an uncontrolled document once printed or downloaded and is subject to change without notice. Date Created: 10/15/2018



VIEW Z-Z

CATALOG NUMBER	SPEED RANGE RPM	FULL LOAD TORQUE LB.-IN.	INPUT HP	OVERHUNG LOAD LBS.	GEARMOTOR TYPE & FRAME	RATIO TO 1	"XH"	"XL"
M1135069.00	42-7	80	1/8	235	13F60-34C	60	6.14	10.64
M1135038.00	62-1	70	1/8	235	13F40-34C	40	6.14	10.64
M1135039.00	125-2.1	45	1/8	235	13F20-34C	20	6.14	10.64
M1135040.00	250-4	25	1/8	235	13F10-34C	10	6.14	10.64
M1135041.00	500-8	13	1/8	235	13F05-34C	5	6.14	10.64
M1135046.00	500-8	30	1/4	235	13F05-34G	5	8.14	12.64
M1135045.00	250-4	50	1/4	235	13F10-34G	10	8.14	12.64
M1135044.00	125-2.1	90	1/4	235	13F20-34G	20	8.14	12.64
M1135043.00	83-1.4	125	1/4	235	13F30-34G	30	8.14	12.64
M1135042.00	62-1	135	1/4	235	13F40-34G	40	8.14	12.64

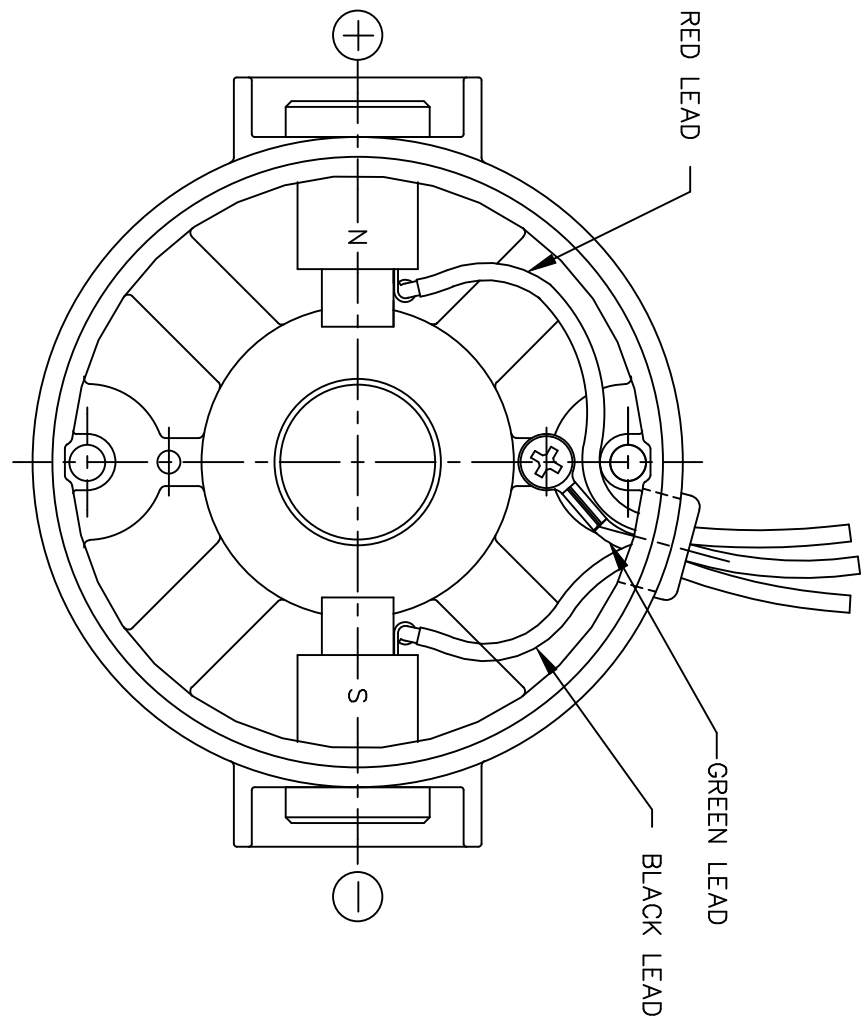
14	CHANGED TO DIE CAST GEARBOX PER ECN 06-3023.	RBP	7/7/06	BC	TOLERANCES UNLESS SPECIFIED	 ELECTRIC MOTORS GEARMOTORS AND DRIVES	DRAWN	DWF	11/30/93	
13	DIM 2.74 WAS 2.76 AND CORRECTED GEARBOX MTG SCREW BOLT HEADS PER ECR 88062	SAD	11/30/05	KLS	DEC. INCHES		CHK			
12	CORRECTED VIEW "Z-Z" PER OTHER TWO VIEWS PER ECR 73469	BPW	03/15/02	SAD	.XX ±.03 .XXX ±.005	TITLE	OUTLINE 34 FRAME DC 13 SERIES 90V GEARMOTOR			
11	KEY LENGTH WAS 1.00 ECR 69990	SAD	08/28/99		.XXXX ±.0005	MAT'L	FMF M1135046.00			
NO.	REVISION	BY & DATE	CHK	ANG	±1/2"	FINISH	LEESON	PREV		
THIS DRAWING IN DESIGN AND DETAIL IS OUR PROPERTY AND MUST NOT BE USED EXCEPT IN CONNECTION WITH OUR WORK ALL RIGHTS OF DESIGN AND INVENTION ARE RESERVED THIS IS AN ELECTRONICALLY GENERATED DOCUMENT - DO NOT SCALE THIS PRINT						RFP	CAD FILE	M1030350	SIZE	DRAWING NO.
						DIST	B	M1030350.00	REV.	14

ERROR: syntaxerror  
OFFENDING COMMAND: --nostringval--

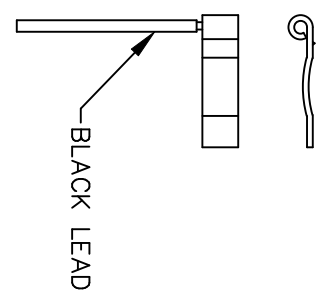
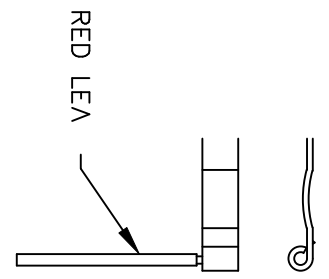
STACK:

220 /Ucircumflex  
219 /Uacute  
218 /Ugrave  
217 /Oslash  
216 /multiply  
215 /Odieresis  
214 /Otilde  
213 /Ocircumflex  
212 /Oacute  
211 /Ograve  
210 /Ntilde  
209 /Eth  
208 /Idieresis  
207 /Icircumflex  
206 /Iacute  
205 /Igrave  
204 /Edieresis  
203 /Ecircumflex  
202 /Eacute  
201 /Egrave  
200 /Ccedilla  
199 /AE  
198 /Aring  
197 /Adieresis  
196 /Atilde  
195 /Acircumflex  
194 /Aacute  
193 /Agrave  
192 /questiondown  
191 /threequarters  
190 /onehalf  
189 /onequarter  
188 /guillemotright  
187 /ordmasculine

D.C. MOTORS



EXTERNAL CONNECTIONS FOR CW ROTATION  
 VIEWING LEAD END OF MOTOR WITH RED LEAD  
 POSITIVE AND BLACK LEAD NEGATIVE (-)  
 FOR CCW ROTATION REVERSE POLARITY



07	CORRECTED "N" & "S", ECR 80000 (PER BC)	VS	8/14/02	BC	TOLERANCES UNLESS SPECIFIED		<b>LEESON</b>	ELECTRIC MOTORS GEARMOTORS AND DRIVES	DRAWN	SPV 12/10/91
06	REMOVED GROUND HOLE	TMZ	3/16/95	DEC.	INCHES				CHK	DWF 5/20/92
05	REVERSE ROTATION WAS CW	SPV	6/3/94	.X	±.1		TITLE	CONNECTION DIAGRAM	APPD	
04	CHANGED ROTATION FROM CCW TO CW	MJS	3/9/93	.XX	±.01				SCALE	1=1
03	REVISED ROTATION NOTE	DWF	1/6/93	.XXX	±.005		MAT'L.		REF	
02	ADDED GREEN LEAD	DWF	8/1/92	.XXXX	±.0005				FINISH	
NO.	REVISION	BY & DATE	CHK	ANG	±1/2"				PREV	
THIS DRAWING IN DESIGN AND DETAIL IS OUR PROPERTY AND MUST NOT BE USED EXCEPT IN CONNECTION WITH OUR WORK ALL RIGHTS OF DESIGN AND INVENTION ARE RESERVED THIS IS AN ELECTRONICALLY GENERATED DOCUMENT - DO NOT SCALE THIS PRINT				RFP	CAD FILE	M100512401	SIZE	DRAWING NO.	REV.	
				DIST			A	M1005124.01	07	