

# PRODUCT INFORMATION PACKET



Model No: CM34D25NZ7C

Catalog No: M1135039.00

...20:1.125RPM.45LBIN.1/8HP.34...DC GEARMOTORS SUB-FHP.90V..TENV.CM34D25NZ7C  
Right Angle



Regal and Leeson are trademarks of Regal Beloit Corporation or one of its affiliated companies.

©2018 Regal Beloit Corporation, All Rights Reserved. MC017097E





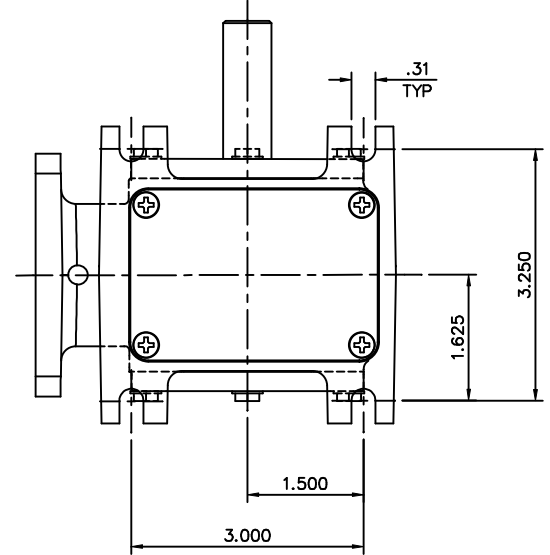
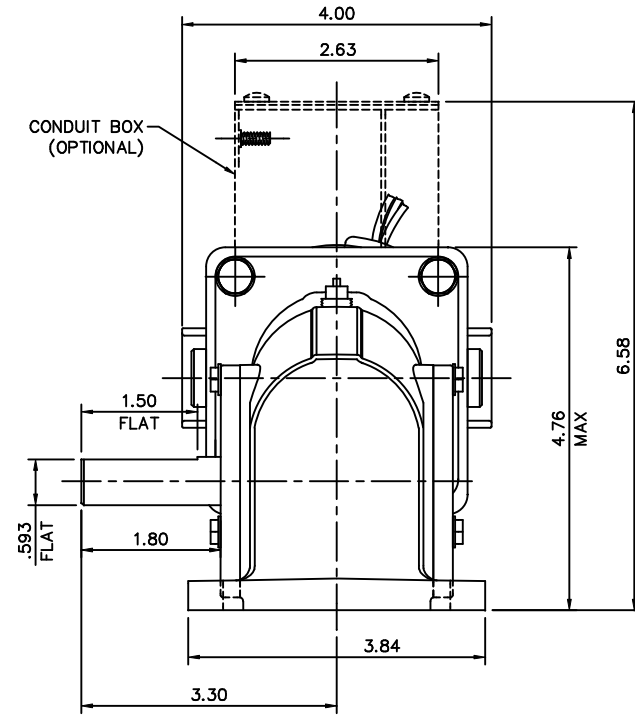
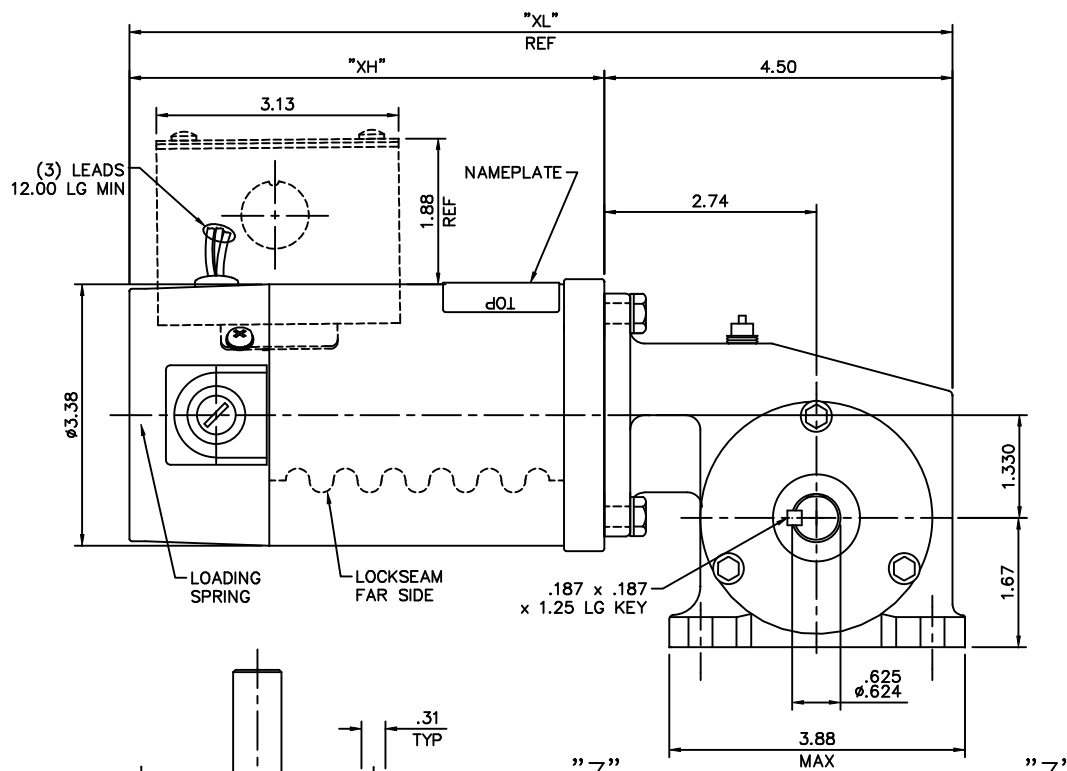
### Nameplate Specifications

|                            |  |                        |                   |
|----------------------------|--|------------------------|-------------------|
| Output HP                  | <b>0.13 Hp</b>                         | Output KW              | <b>0.10 kW</b>    |
| Voltage                    | <b>90 V</b>                            | Current                | <b>1.4 A</b>      |
| Speed                      | <b>125 rpm</b>                         | Service Factor         | <b>1</b>          |
| Efficiency                 | <b>31.5 %</b>                          | Duty                   | <b>Continuous</b> |
| Insulation Class           | <b>H</b>                               | Frame                  | <b>34</b>         |
| Enclosure                  | <b>Totally Enclosed Non Ventilated</b> | Overload Protector     | <b>No</b>         |
| Ambient Temperature        | <b>40 °C</b>                           | Drive End Bearing Size | <b>6201</b>       |
| Opp Drive End Bearing Size | <b>608</b>                             | UL                     | <b>Recognized</b> |
| CSA                        | <b>Y</b>                               | CE                     | <b>Y</b>          |

### Technical Specifications


|                 |                          |                    |                   |
|-----------------|--------------------------|--------------------|-------------------|
| Rotation        | <b>Reversible</b>        | Mounting           | <b>Special</b>    |
| Shaft Type      | <b>Right Angle</b>       | Overall Length     | <b>10.64 in</b>   |
| Frame Length    | <b>3.81 in</b>           | Shaft Diameter     | <b>0.625 in</b>   |
| Shaft Extension | <b>1.8 in</b>            |                    |                   |
| Outline Drawing | <b>M1030350-M1135039</b> | Connection Diagram | <b>M100512401</b> |

This is an uncontrolled document once printed or downloaded and is subject to change without notice. Date Created: 10/15/2018



VIEW Z-Z

| CATALOG NUMBER | SPEED RANGE RPM | FULL LOAD TORQUE LB.-IN. | INPUT HP | OVERHUNG LOAD LBS. | GEARMOTOR TYPE & FRAME | RATIO TO 1 | "XH" | "XL"  |
|----------------|-----------------|--------------------------|----------|--------------------|------------------------|------------|------|-------|
| M1135069.00    | 42-7            | 80                       | 1/8      | 235                | 13F60-34C              | 60         | 6.14 | 10.64 |
| M1135038.00    | 62-1            | 70                       | 1/8      | 235                | 13F40-34C              | 40         | 6.14 | 10.64 |
| M1135039.00    | 125-2.1         | 45                       | 1/8      | 235                | 13F20-34C              | 20         | 6.14 | 10.64 |
| M1135040.00    | 250-4           | 25                       | 1/8      | 235                | 13F10-34C              | 10         | 6.14 | 10.64 |
| M1135041.00    | 500-8           | 13                       | 1/8      | 235                | 13F05-34C              | 5          | 6.14 | 10.64 |
| M1135046.00    | 500-8           | 30                       | 1/4      | 235                | 13F05-34G              | 5          | 8.14 | 12.64 |
| M1135045.00    | 250-4           | 50                       | 1/4      | 235                | 13F10-34G              | 10         | 8.14 | 12.64 |
| M1135044.00    | 125-2.1         | 90                       | 1/4      | 235                | 13F20-34G              | 20         | 8.14 | 12.64 |
| M1135043.00    | 83-1.4          | 125                      | 1/4      | 235                | 13F30-34G              | 30         | 8.14 | 12.64 |
| M1135042.00    | 62-1            | 135                      | 1/4      | 235                | 13F40-34G              | 40         | 8.14 | 12.64 |

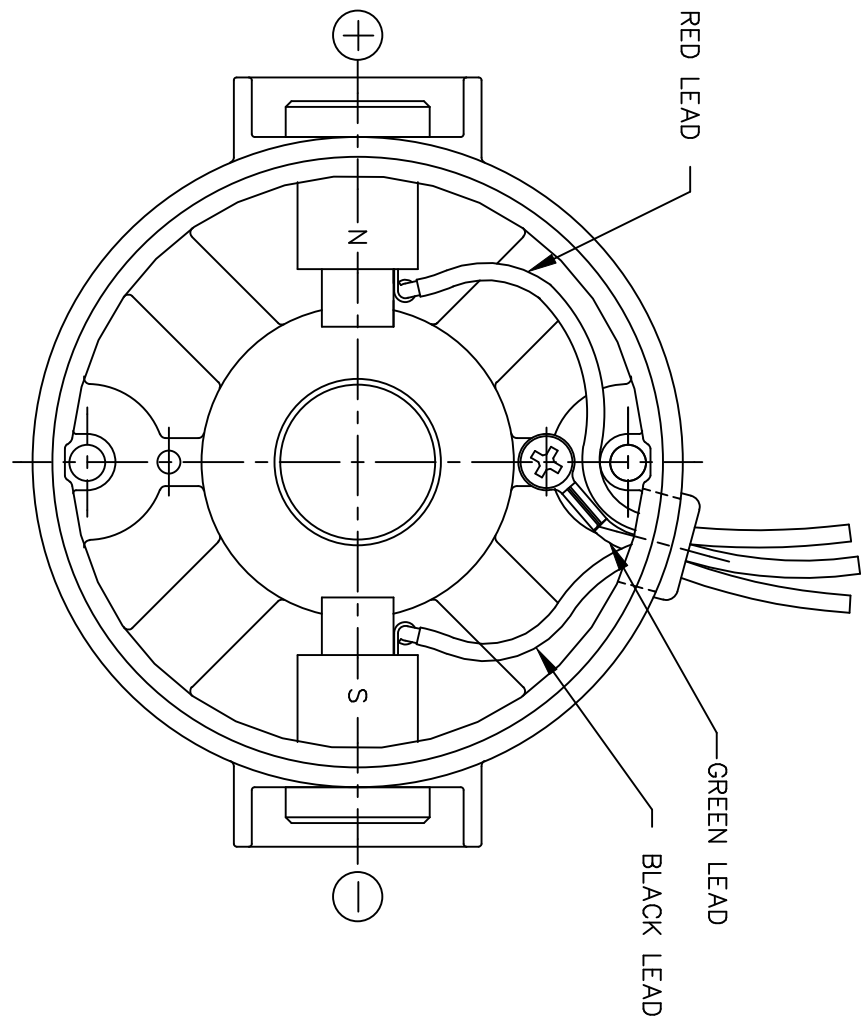
|  |  |              |     |                             |   |                    |
|--|--|--------------|-----|-----------------------------|---|--------------------|
| 14   | CHANGED TO DIE CAST GEARBOX PER ECN 06-3023.                               | RPB 7/7/06   | BC  | TOLERANCES UNLESS SPECIFIED |  ELECTRIC MOTORS<br>GEARMOTORS<br>AND DRIVES | DRAWN DWF 11/30/93 |
| 13   | DIM 2.74 WAS 2.76 AND CORRECTED GEARBOX MTG SCREW BOLT HEADS PER ECR 88062 | SAD 11/30/05 | KLS | DEC. INCHES                 |   | CHK                |
| 12   | CORRECTED VIEW "Z-Z" PER OTHER TWO VIEWS PER ECR 73469                     | BPW 03/15/02 | SAD | .XX ±.03<br>.XXX ±.005      | TITLE   | SCALE 5=8          |
| 11   | KEY LENGTH WAS 1.00 ECR 69990  | SAD 08/28/99 | SAD | .XXXX ±.0005                | MAT'L   | REF M1135049.99    |
| NO.  | REVISION   | BY & DATE    | CHK | ANG ±1/2"                   | FINISH  | FMF M1135046.00    |
| THIS DRAWING IN DESIGN AND DETAIL IS OUR PROPERTY AND MUST NOT BE USED EXCEPT IN CONNECTION WITH OUR WORK ALL RIGHTS OF DESIGN AND INVENTION ARE RESERVED THIS IS AN ELECTRONICALLY GENERATED DOCUMENT - DO NOT SCALE THIS PRINT |  |              |     |                             | LEESON  | PREV               |
|  |  |              |     |                             | CAD FILE  | M1030350           |
|  |  |              |     |                             | RFP   | SIZE               |
|  |  |              |     |                             | DIST  | DRAWING NO.        |
|  |  |              |     |                             | B   | M1030350.00        |
|  |  |              |     |                             | REV.  | 14                 |

ERROR: syntaxerror  
OFFENDING COMMAND: --nostringval--

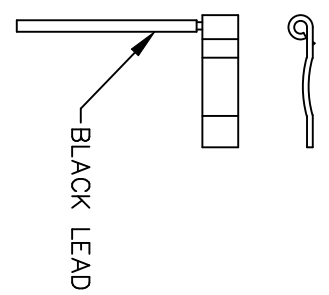
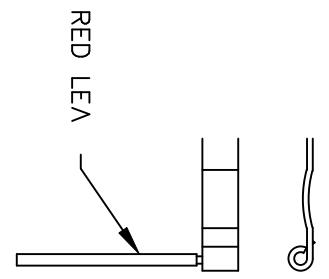
STACK:

220 /Ucircumflex  
219 /Uacute  
218 /Ugrave  
217 /Oslash  
216 /multiply  
215 /Odieresis  
214 /Otilde  
213 /Ocicumflex  
212 /Oacute  
211 /Ograve  
210 /Ntilde  
209 /Eth  
208 /Idieresis  
207 /Icircumflex  
206 /Iacute  
205 /Igrave  
204 /Edieresis  
203 /Ecircumflex  
202 /Eacute  
201 /Egrave  
200 /Ccedilla  
199 /AE  
198 /Aring  
197 /Adieresis  
196 /Atilde  
195 /Acicumflex  
194 /Aacute  
193 /Agrave  
192 /questiondown  
191 /threequarters  
190 /onehalf  
189 /onequarter  
188 /guillemotright  
187 /ordmasculine

D.C. MOTORS



EXTERNAL CONNECTIONS FOR CW ROTATION  
 VIEWING LEAD END OF MOTOR WITH RED LEAD  
 POSITIVE AND BLACK LEAD NEGATIVE (-)  
 FOR CCW ROTATION REVERSE POLARITY



|  |   |           |         |       |                                |            |   |                    |              |
|--|---|-----------|---------|-------|--------------------------------|------------|---|--------------------|--------------|
| 07   | CORRECTED "N" & "S", ECR 80000 (PER BC) | VS        | 8/14/02 | BC    | TOLERANCES<br>UNLESS SPECIFIED |            | <b>LEESON</b> ELECTRIC MOTORS<br>GEARMOTORS<br>AND DRIVES | DRAWN              | SPV 12/10/91 |
| 06   | REMOVED GROUND HOLE                     | TMZ       | 3/16/95 | DEC.  | INCHES                         |            |   | CHK                | DWF 5/20/92  |
| 05   | REVERSE ROTATION WAS CW                 | SPV       | 6/3/94  | .X    | ±.1                            |            | APPD  |                    |              |
| 04   | CHANGED ROTATION FROM CCW TO CW         | MJS       | 3/9/93  | .XX   | ±.01                           |            | TITLE   | CONNECTION DIAGRAM |              |
| 03   | REVISED ROTATION NOTE                   | DWF       | 1/6/93  | .XXX  | ±.005                          |            |   | SCALE              | 1=1          |
| 02   | ADDED GREEN LEAD                        | DWF       | 8/1/92  | .XXXX | ±.0005                         |            | MAT'L.  | FMF                | M9131D2N22   |
| NO.  | REVISION                                | BY & DATE | CHK     | ANG   | ±1/2"                          |            | FINISH  | PREV               |              |
| THIS DRAWING IN DESIGN AND DETAIL IS OUR PROPERTY AND MUST NOT BE USED EXCEPT IN CONNECTION WITH OUR WORK ALL RIGHTS OF DESIGN AND INVENTION ARE RESERVED THIS IS AN ELECTRONICALLY GENERATED DOCUMENT - DO NOT SCALE THIS PRINT |   |           |         | RFP   | CAD FILE                       | M100512401 | SIZE  | DRAWING NO.        | REV.         |
|  |   |           |         | DIST  |                                |            | A   | M1005124.01        | 07           |