

PRODUCT INFORMATION PACKET



Model No: CM34D25NZ6C

Catalog No: M1135038.00

...40:1.62RPM.70LBIN.1/8HP.34...DC GEARMOTORS SUB-FHP.90V..TENV.CM34D25NZ6C
Right Angle



Regal and Leeson are trademarks of Regal Beloit Corporation or one of its affiliated companies.

©2018 Regal Beloit Corporation, All Rights Reserved. MC017097E





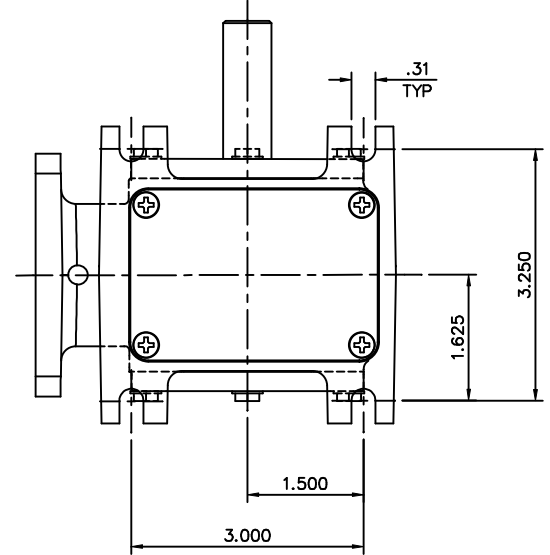
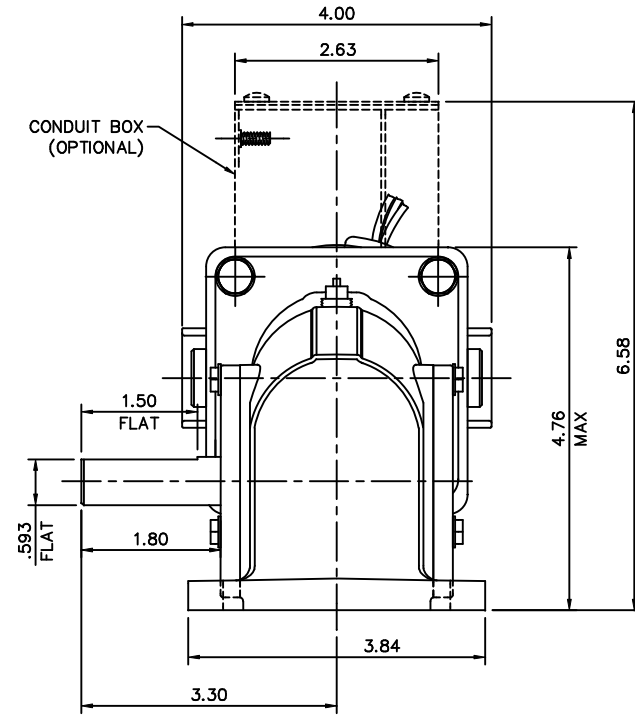
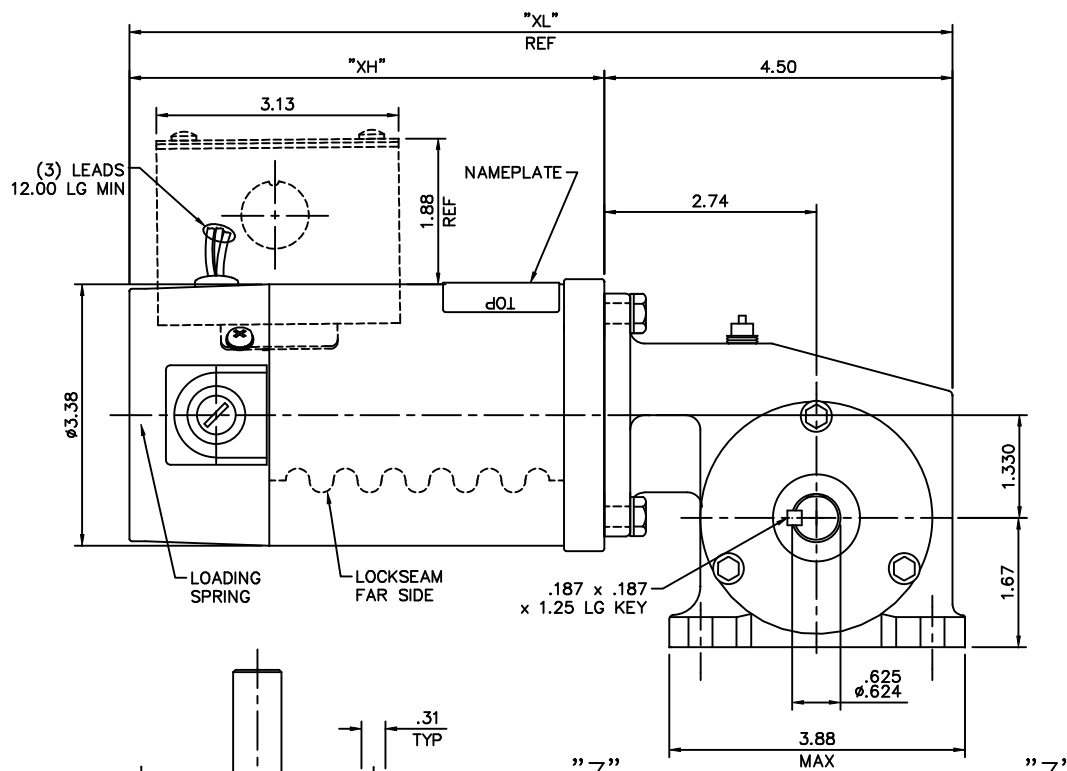
Nameplate Specifications

| | | | |
|----------------------------|--|------------------------|-------------------|
| Output HP | 0.13 Hp | Output KW | 0.10 kW |
| Voltage | 90 V | Current | 1.4 A |
| Speed | 62 rpm | Service Factor | 1 |
| Efficiency | 23.9 % | Duty | Continuous |
| Insulation Class | H | Frame | 34 |
| Enclosure | Totally Enclosed Non Ventilated | Overload Protector | No |
| Ambient Temperature | 40 °C | Drive End Bearing Size | 6201 |
| Opp Drive End Bearing Size | 608 | UL | Recognized |
| CSA | Y | CE | Y |

Technical Specifications

| | | | |
|-----------------|--------------------------|--------------------|-------------------|
| Rotation | Reversible | Mounting | Special |
| Shaft Type | Right Angle | Overall Length | 10.64 in |
| Frame Length | 3.81 in | Shaft Diameter | 0.625 in |
| Shaft Extension | 1.8 in | | |
| Outline Drawing | M1030350-M1135038 | Connection Diagram | M100512401 |

This is an uncontrolled document once printed or downloaded and is subject to change without notice. Date Created: 10/15/2018



VIEW Z-Z

| CATALOG NUMBER | SPEED RANGE RPM | FULL LOAD TORQUE LB.-IN. | INPUT HP | OVERHUNG LOAD LBS. | GEARMOTOR TYPE & FRAME | RATIO TO 1 | "XH" | "XL" |
|----------------|-----------------|--------------------------|----------|--------------------|------------------------|------------|------|-------|
| M1135069.00 | 42-7 | 80 | 1/8 | 235 | 13F60-34C | 60 | 6.14 | 10.64 |
| M1135038.00 | 62-1 | 70 | 1/8 | 235 | 13F40-34C | 40 | 6.14 | 10.64 |
| M1135039.00 | 125-2.1 | 45 | 1/8 | 235 | 13F20-34C | 20 | 6.14 | 10.64 |
| M1135040.00 | 250-4 | 25 | 1/8 | 235 | 13F10-34C | 10 | 6.14 | 10.64 |
| M1135041.00 | 500-8 | 13 | 1/8 | 235 | 13F05-34C | 5 | 6.14 | 10.64 |
| M1135046.00 | 500-8 | 30 | 1/4 | 235 | 13F05-34G | 5 | 8.14 | 12.64 |
| M1135045.00 | 250-4 | 50 | 1/4 | 235 | 13F10-34G | 10 | 8.14 | 12.64 |
| M1135044.00 | 125-2.1 | 90 | 1/4 | 235 | 13F20-34G | 20 | 8.14 | 12.64 |
| M1135043.00 | 83-1.4 | 125 | 1/4 | 235 | 13F30-34G | 30 | 8.14 | 12.64 |
| M1135042.00 | 62-1 | 135 | 1/4 | 235 | 13F40-34G | 40 | 8.14 | 12.64 |

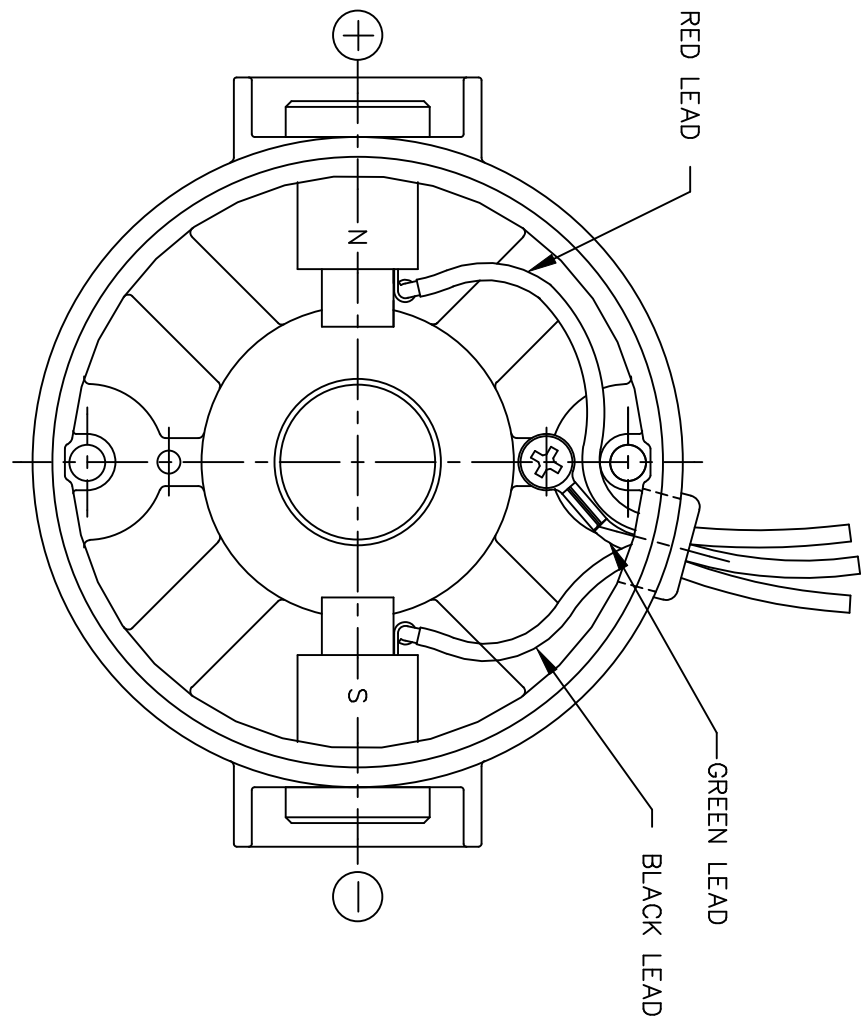
| | | | | | | |
|--|--|--------------|-----|-----------------------------|---|--------------------|
| 14 | CHANGED TO DIE CAST GEARBOX PER ECN 06-3023. | RPB 7/7/06 | BC | TOLERANCES UNLESS SPECIFIED | LEESON ELECTRIC MOTORS GEARMOTORS AND DRIVES | DRAWN DWF 11/30/93 |
| 13 | DIM 2.74 WAS 2.76 AND CORRECTED GEARBOX MTG SCREW BOLT HEADS PER ECR 88062 | SAD 11/30/05 | KLS | DEC. INCHES | | CHK |
| 12 | CORRECTED VIEW "Z-Z" PER OTHER TWO VIEWS PER ECR 73469 | BPW 03/15/02 | SAD | .XX ±.03 .XXX ±.005 | TITLE | SCALE 5=8 |
| 11 | KEY LENGTH WAS 1.00 ECR 69990 | SAD 08/28/99 | | .XXXX ±.0005 | MAT'L | REF M1135049.99 |
| NO. | REVISION | BY & DATE | CHK | ANG ±1/2" | FINISH | FMF M1135046.00 |
| THIS DRAWING IN DESIGN AND DETAIL IS OUR PROPERTY AND MUST NOT BE USED EXCEPT IN CONNECTION WITH OUR WORK ALL RIGHTS OF DESIGN AND INVENTION ARE RESERVED THIS IS AN ELECTRONICALLY GENERATED DOCUMENT - DO NOT SCALE THIS PRINT | | | | | RFP | PREV |
| | | | | | CAD FILE | SIZE |
| | | | | | M1030350 | DRAWING NO. |
| | | | | | B | M1030350.00 |
| | | | | | DIST | REV. |
| | | | | | | 14 |

ERROR: syntaxerror
OFFENDING COMMAND: --nostringval--

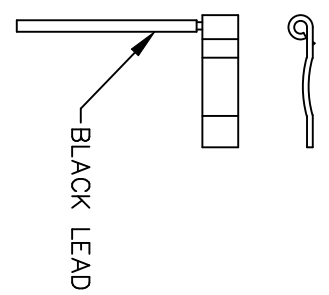
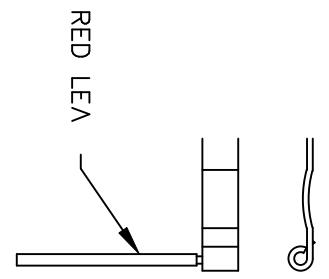
STACK:

220 /Ucircumflex
219 /Uacute
218 /Ugrave
217 /Oslash
216 /multiply
215 /Odieresis
214 /Otilde
213 /Ocircumflex
212 /Oacute
211 /Ograve
210 /Ntilde
209 /Eth
208 /Idieresis
207 /Icircumflex
206 /Iacute
205 /Igrave
204 /Edieresis
203 /Ecircumflex
202 /Eacute
201 /Egrave
200 /Ccedilla
199 /AE
198 /Aring
197 /Adieresis
196 /Atilde
195 /Acircumflex
194 /Aacute
193 /Agrave
192 /questiondown
191 /threequarters
190 /onehalf
189 /onequarter
188 /guillemotright
187 /ordmasculine

D.C. MOTORS



EXTERNAL CONNECTIONS FOR CW ROTATION
 VIEWING LEAD END OF MOTOR WITH RED LEAD
 POSITIVE AND BLACK LEAD NEGATIVE (-)
 FOR CCW ROTATION REVERSE POLARITY



| | | | | | | | | | | | | |
|--|---|-----------|---------|-------|--------------------------------|--|---------------|---|-------------|-------------|----------|------|
| 07 | CORRECTED "N" & "S", ECR 80000 (PER BC) | VS | 8/14/02 | BC | TOLERANCES UNLESS SPECIFIED | | LEESON | ELECTRIC MOTORS GEARMOTORS AND DRIVES | DRAWN | SPV | 12/10/91 | |
| 06 | REMOVED GROUND HOLE | TMZ | 3/16/95 | DEC. | INCHES | | | | CHK | DWF | 5/20/92 | |
| 05 | REVERSE ROTATION WAS CW | SPV | 6/3/94 | .X | ±.1 | | TITLE | CONNECTION DIAGRAM | APPD | | | |
| 04 | CHANGED ROTATION FROM CCW TO CW | MJS | 3/9/93 | .XX | ±.01 | | | | SCALE | 1=1 | | |
| 03 | REVISED ROTATION NOTE | DWF | 1/6/93 | .XXX | ±.005 | | MAT'L. | | REF | | | |
| 02 | ADDED GREEN LEAD | DWF | 8/1/92 | .XXXX | ±.0005 | | | | FINISH | | | |
| NO. | REVISION | BY & DATE | CHK | ANG | ±1/2" | | FINISH | | | PREV | | |
| THIS DRAWING IN DESIGN AND DETAIL IS OUR PROPERTY AND MUST NOT BE USED EXCEPT IN CONNECTION WITH OUR WORK ALL RIGHTS OF DESIGN AND INVENTION ARE RESERVED THIS IS AN ELECTRONICALLY GENERATED DOCUMENT - DO NOT SCALE THIS PRINT | | | | RFP | CAD FILE | | | M100512401 | SIZE | DRAWING NO. | | REV. |
| | | | | DIST | | | | A | M1005124.01 | | 07 | |