

PRODUCT INFORMATION PACKET



Model No: CIM34D30FC7B

Catalog No: M1130296.00

...18KW-1/4HP..3000RPM.63D.IP54.24V...S1.40C.1.0SF.B14.CIM34D30FC7B.....

Metric Motors



Regal and Leeson are trademarks of Regal Beloit Corporation or one of its affiliated companies.

©2018 Regal Beloit Corporation, All Rights Reserved. MC017097E





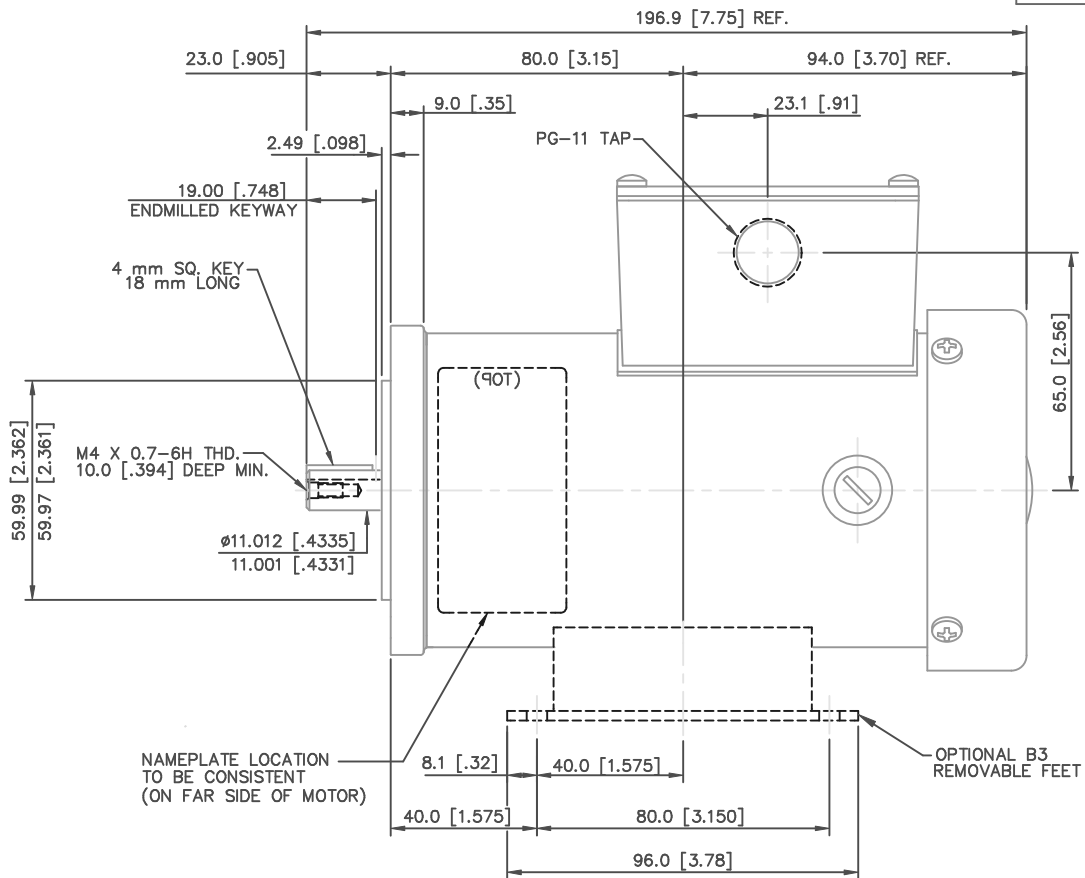
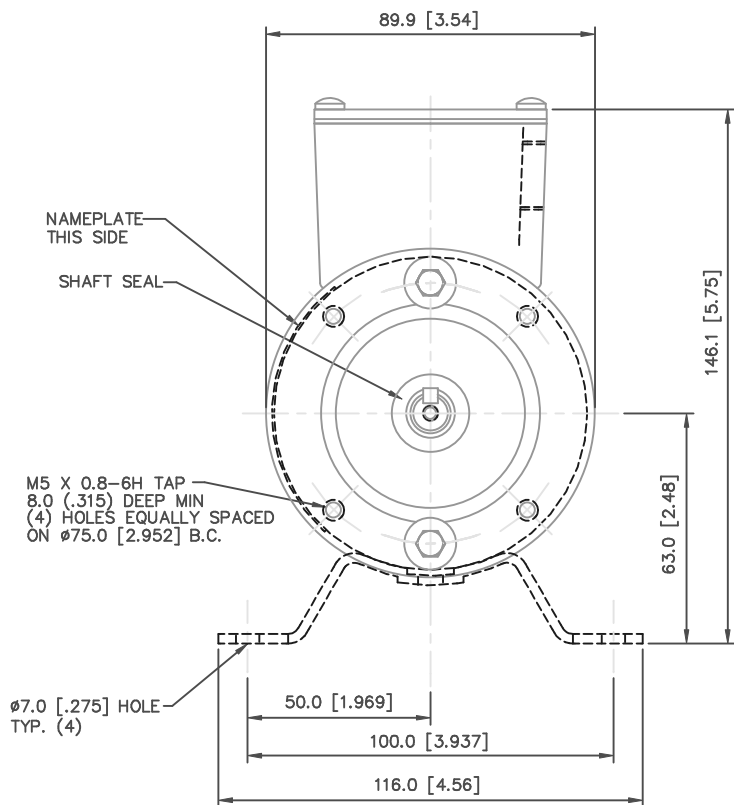
Nameplate Specifications

Output KW	0.18 kW	Voltage	24 V
Current	11.0 A	Speed	3000 rpm
Service Factor	1	Efficiency	74.2 %
Duty	S1	Insulation Class	F
Frame	63D	Enclosure	IP54
Overload Protector	No	Ambient Temperature	40 °C
Drive End Bearing Size	6201-13	Opp Drive End Bearing Size	6201-13
UL	Recognized	CSA	Y
CE	N		

Technical Specifications

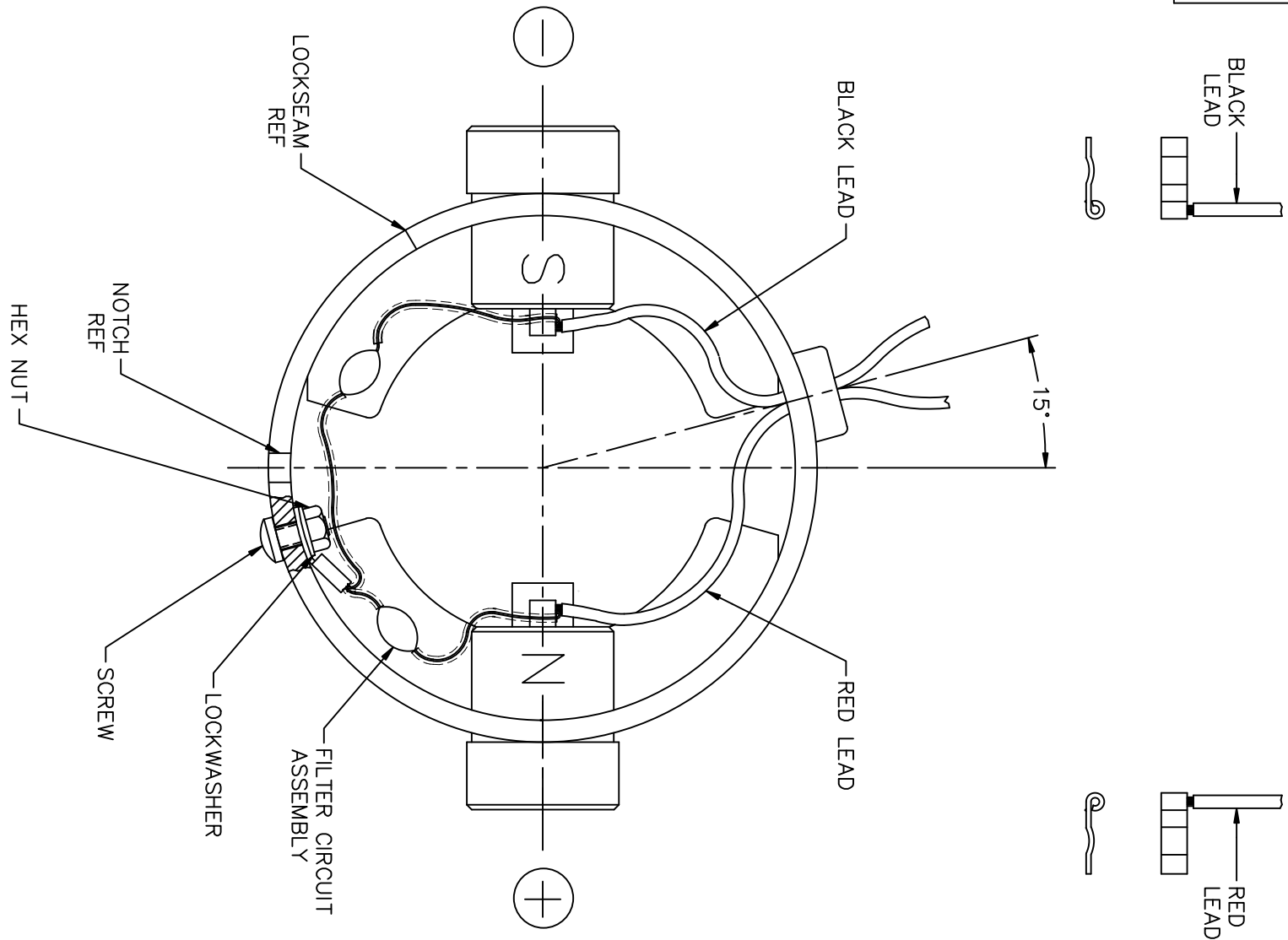
Rotation	Reversible	Mounting	B14
Overall Length	7.75 in	Frame Length	5.43 in
Shaft Diameter	0.437 in	Shaft Extension	0.905 in
Outline Drawing	M1030620	Connection Diagram	M100514801

This is an uncontrolled document once printed or downloaded and is subject to change without notice. Date Created: 10/15/2018




				TOLERANCES UNLESS OTHERWISE SPECIFIED		LEESON ELECTRIC CORPORATION			
				DECIMALS		DRAWN SAD 1/14/98		TITLE	
				.00 ± .01		CH'K'D.		OUTLINE	
				.000 ± .005		APPR.		IEC D63-B14 FLANGE	
				.0000 ± .0005		SCALE 3=4		MAT'L 34 FRAME	
NO.	REVISION	BY	DATE	FRACTIONS ± 1/64		REF. M1030347.00	FINISH CHRIS	SIZE B	DRAWING NO. M1030620.00
THIS DRAWING IN DESIGN AND DETAIL IS OUR PROPERTY AND MUST NOT BE USED EXCEPT IN CONNECTION WITH OUR WORK ALL RIGHTS OF DESIGN AND INVENTION ARE RESERVED				ANGLES ± 1/2°		REF. M1130296.00	MOTOR		
				INCH/MM		FMF M1130296.00			

DC MOTORS



EXTERNAL CONNECTIONS FOR CW ROTATION VIEWING
LEAD END OF MOTOR WITH RED LEAD POSITIVE (+)
FOR CCW ROTATION REVERSE POLARITY

			TOLERANCES UNLESS SPECIFIED		 ELECTRIC MOTORS GEARMOTORS AND DRIVES	DRAWN DWF 08/21/93 CHK APPD
NO.	REVISION	BY & DATE	CHK	ANG		MAT'L.
03	ADDED INSULATION TO FILTER ASSEMBLY LEADS, ISAAC 11-0805	IPG 3/18/2011	DEC.	INCHES	TITLE CONNECTION DIAGRAM WITH FILTER CIRCUIT MAT'L. SEE ABOVE FINISH	SCALE 1=1
02	CORRECTED "N" & "S", ECR 83508	SMB 12/18/03	IPG	.XX ±.01		REF M1005126.01
01	6-32 NUT WAS M3.5 & 6-32 SCREW WAS M3.5, REMOVED WASHER, ECR 69963	06/21/99		.XXX ±.005		FMF M1130199.00
				.XXXX ±.0005		
			RFP	ANG ±1/2'	CAD FILE M100514801	DRAWING NO. M1005148.01 SIZE A
			DIST			REV. 03