

PRODUCT INFORMATION PACKET



Model No: CIM34D30FD1B

Catalog No: M1130153.00

...25KW-1/3HP..3000RPM.63D.IP54.180V...S1.40C.1.0SF.B5.CIM34D30FD1B.....DC METRIC.....

Metric Motors



Regal and Leeson are trademarks of Regal Beloit Corporation or one of its affiliated companies.

©2018 Regal Beloit Corporation, All Rights Reserved. MC017097E





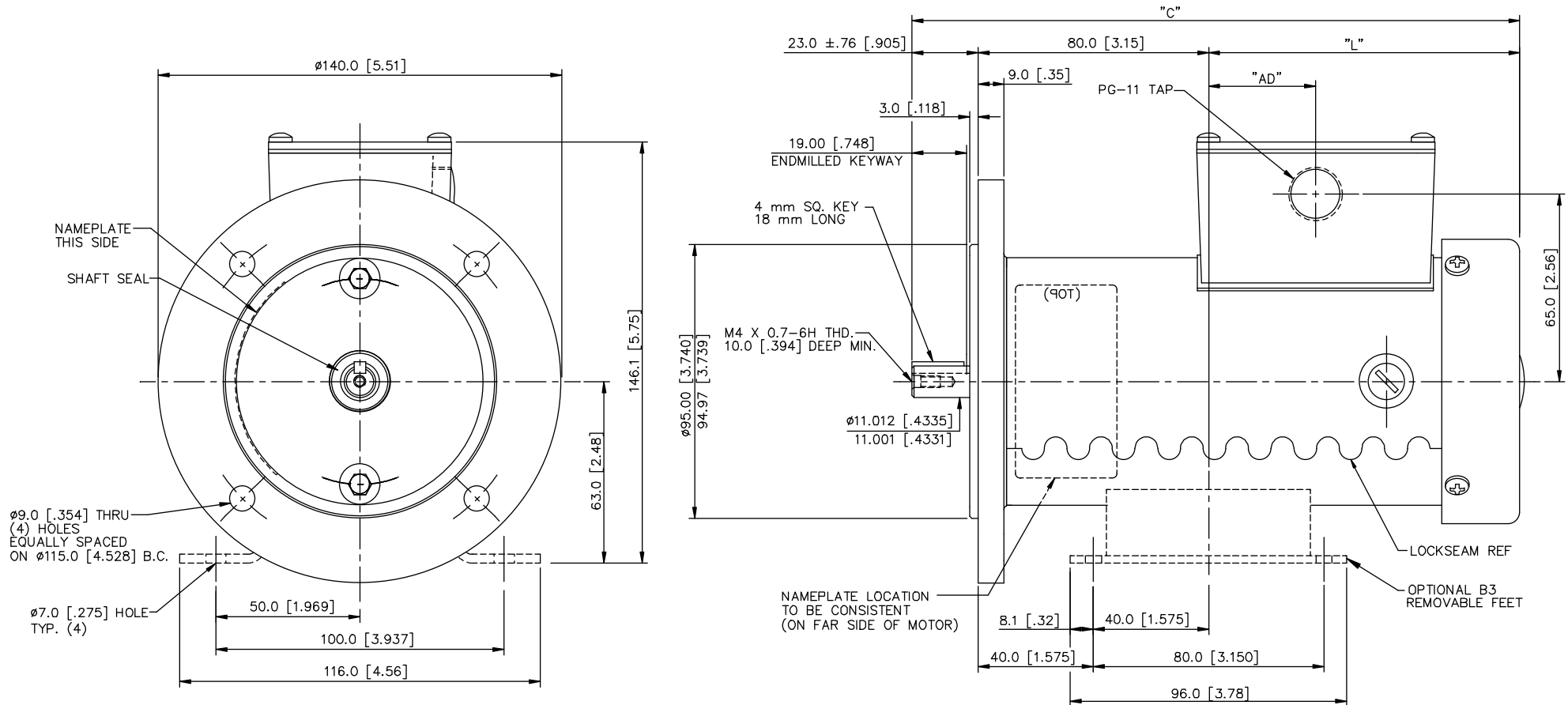
Nameplate Specifications

Output KW	0.37 kW	Voltage	180 V
Current	2.4 A	Speed	3000 rpm
Service Factor	1	Efficiency	75.8 %
Duty	S1	Insulation Class	F
Frame	63D	Enclosure	IP54
Overload Protector	No	Ambient Temperature	40 °C
Drive End Bearing Size	6201-13	Opp Drive End Bearing Size	6201-13
UL	Recognized	CSA	Y
CE	Y		

Technical Specifications

Rotation	Reversible	Mounting	B5
Overall Length	9.50 in	Frame Length	7.18 in
Shaft Diameter	0.437 in	Shaft Extension	0.76 in
Outline Drawing	M1030283-G63	Connection Diagram	M100512601

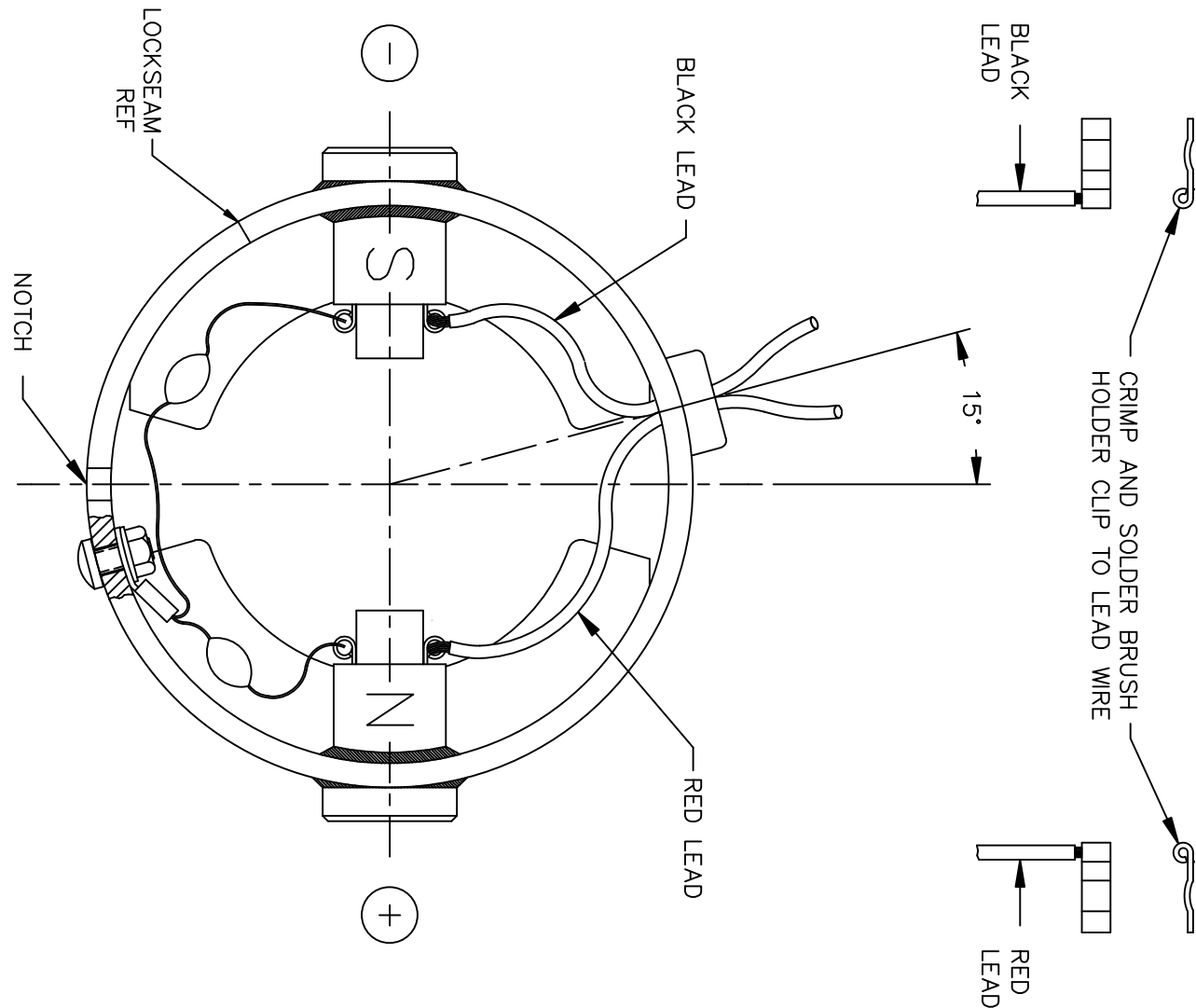
This is an uncontrolled document once printed or downloaded and is subject to change without notice. Date Created: 10/15/2018



G63	241.3 [9.50]	138.2 [5.44]	67.3 [2.65]
E63	210.8 [8.30]	107.7 [4.24]	36.8 [1.45]
FRAME	C	L	AD


		TOLERANCES UNLESS SPECIFIED		ELECTRIC MOTORS GEARMOTORS AND DRIVES		DRAWN	SPV 2/5/92		
						CHK			
05	ADDED LOCKSEAM, ECR-0034238	IPG	3/13/13	SAD	.X	±.1	APPD	TGB 2/12/92	
04	ADDED ±.76 TO THE 23.0 [0.905] DIM PER ECR 82033	BPW	04/17/03	SAD	.XX	±.03	SCALE	3=4	
03	DIM 9.50 WAS 9.504, 8.30 WAS 8.304, ECR 79823	IPG	8/22/01	SAD	.XXX	±.005	REF		
02	REVISED TO NEW FAN, ADDED METRIC DIM'S	SPV	2/24/97	SAD	.XXXX	±.0005	FMF	M1130149.00	
01	ADDED NAMEPLATE	DWF	6/24/92	CHK	ANG	±1/2'	PREV		
NO.	REVISION	BY & DATE	CHK	ANG	±1/2'	FINISH	STOCK		
THIS DRAWING IN DESIGN AND DETAIL IS OUR PROPERTY AND MUST NOT BE USED EXCEPT IN CONNECTION WITH OUR WORK ALL RIGHTS OF DESIGN AND INVENTION ARE RESERVED THIS IS AN ELECTRONICALLY GENERATED DOCUMENT - DO NOT SCALE THIS PRINT				RFP	CAD FILE	M1030283	SIZE	DRAWING NO.	
				DIST			B	M1030283	
								REV.	05

DC MOTORS



CAUTION! FILTER CIRCUIT LEADS WITH BRUSH CLIPS MUST NOT TOUCH HOUSING WALL (INSIDE)

EXTERNAL CONNECTIONS FOR CW ROTATION VIEWING LEAD END OF MOTOR WITH RED LEAD POSITIVE (+) FOR CCW ROTATION REVERSE POLARITY

				TOLERANCES UNLESS SPECIFIED		 ELECTRIC MOTORS GEARMOTORS AND DRIVES	DRAWN	SPV 01/27/92		
				DEC.	INCHES		CHK			
				.X	±.1		APPD	DWF 01/27/92		
02	REVERSED POLARITY FOR CWLE ROTATION	SMB	11/20/03	IPG	.XX ±.01	TITLE	SCALE	1=1		
	PER M1130392.00				.XXX ±.005	CONNECTION DIAGRAM WITH FILTER CIRCUIT	REF			
01	REMOVED PART NUMBERS	DWF	05/07/96		.XXXX ±.0005	MAT'L.	FMF	M1130136.00		
NO.	REVISION	BY & DATE	CHK	ANG	±1/2'	FINISH	PREV			
THIS DRAWING IN DESIGN AND DETAIL IS OUR PROPERTY AND MUST NOT BE USED EXCEPT IN CONNECTION WITH OUR WORK ALL RIGHTS OF DESIGN AND INVENTION ARE RESERVED THIS IS AN ELECTRONICALLY GENERATED DOCUMENT - DO NOT SCALE THIS PRINT				RFP		CAD FILE	M100512601	SIZE	DRAWING NO.	REV.
				DIST				A	M1005126.01	02