

PRODUCT INFORMATION PACKET



Model No: CIM34D30ND3B

Catalog No: M1130152.00

...18KW-1/4HP..3000RPM.63D.IP54.180V...S1.40C.1.0SF.B5.CIM34D30ND3B.....DC METRIC.....

Metric Motors



Regal and Leeson are trademarks of Regal Beloit Corporation or one of its affiliated companies.

©2018 Regal Beloit Corporation, All Rights Reserved. MC017097E





Nameplate Specifications

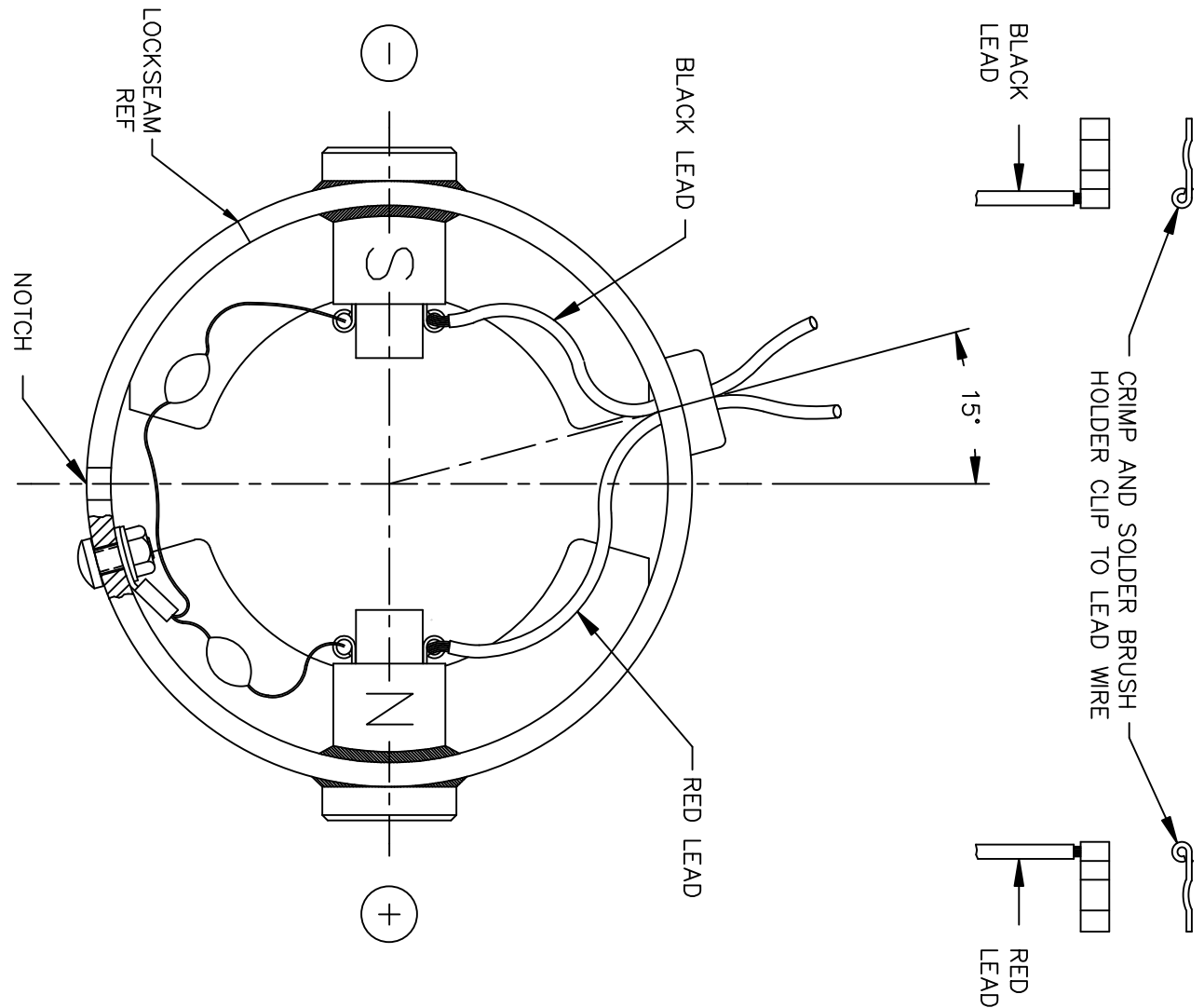
Output KW	0.25 kW	Voltage	180 V
Current	1.7 A	Speed	3000 rpm
Service Factor	1	Efficiency	73 %
Duty	S1	Insulation Class	F
Frame	63D	Enclosure	IP54
Overload Protector	No	Ambient Temperature	40 °C
Drive End Bearing Size	6201-13	Opp Drive End Bearing Size	6201-13
UL	Recognized	CSA	Y
CE	Y		

Technical Specifications

Rotation	Reversible	Mounting	B5
Overall Length	8.78 in	Frame Length	7.18 in
Shaft Diameter	0.375 in	Shaft Extension	0.905 in
Outline Drawing	M1030281-G63	Connection Diagram	M100512601


This is an uncontrolled document once printed or downloaded and is subject to change without notice. Date Created: 10/15/2018

DC MOTORS



CAUTION! FILTER CIRCUIT LEADS WITH BRUSH CLIPS MUST NOT TOUCH HOUSING WALL (INSIDE)

EXTERNAL CONNECTIONS FOR CW ROTATION VIEWING LEAD END OF MOTOR WITH RED LEAD POSITIVE (+) FOR CCW ROTATION REVERSE POLARITY

		TOLERANCES UNLESS SPECIFIED		 ELECTRIC MOTORS GEARMOTORS AND DRIVES	DRAWN SPV 01/27/92		
		DEC.	INCHES		CHK		
		.X	±.1	TITLE CONNECTION DIAGRAM WITH FILTER CIRCUIT	APPD DWF 01/27/92		
02	REVERSED POLARITY FOR CWLE ROTATION	IPG .XX	±.01		SCALE 1=1		
	PER M1130392.00	.XXX	±.005		REF		
01	REMOVED PART NUMBERS	DWF 05/07/96	.XXXX	±.0005	MAT'L.	FMF M1130136.00	
NO.	REVISION	BY & DATE	CHK	ANG ±1/2'	FINISH	PREV	
THIS DRAWING IN DESIGN AND DETAIL IS OUR PROPERTY AND MUST NOT BE USED EXCEPT IN CONNECTION WITH OUR WORK ALL RIGHTS OF DESIGN AND INVENTION ARE RESERVED THIS IS AN ELECTRONICALLY GENERATED DOCUMENT - DO NOT SCALE THIS PRINT			RFP	CAD FILE M100512601	SIZE A	DRAWING NO. M1005126.01	
			DIST			REV. 02	