

PRODUCT INFORMATION PACKET



Model No: CIM34D30ND2B

Catalog No: M1130151.00

...12KW-1/6HP..3000RPM.56D.IP54.180V...S1.40C.1.0SF.B3/B5.CIM34D30ND2B.....DC METRIC.....

Metric Motors



Regal and Leeson are trademarks of Regal Beloit Corporation or one of its affiliated companies.

©2018 Regal Beloit Corporation, All Rights Reserved. MC017097E





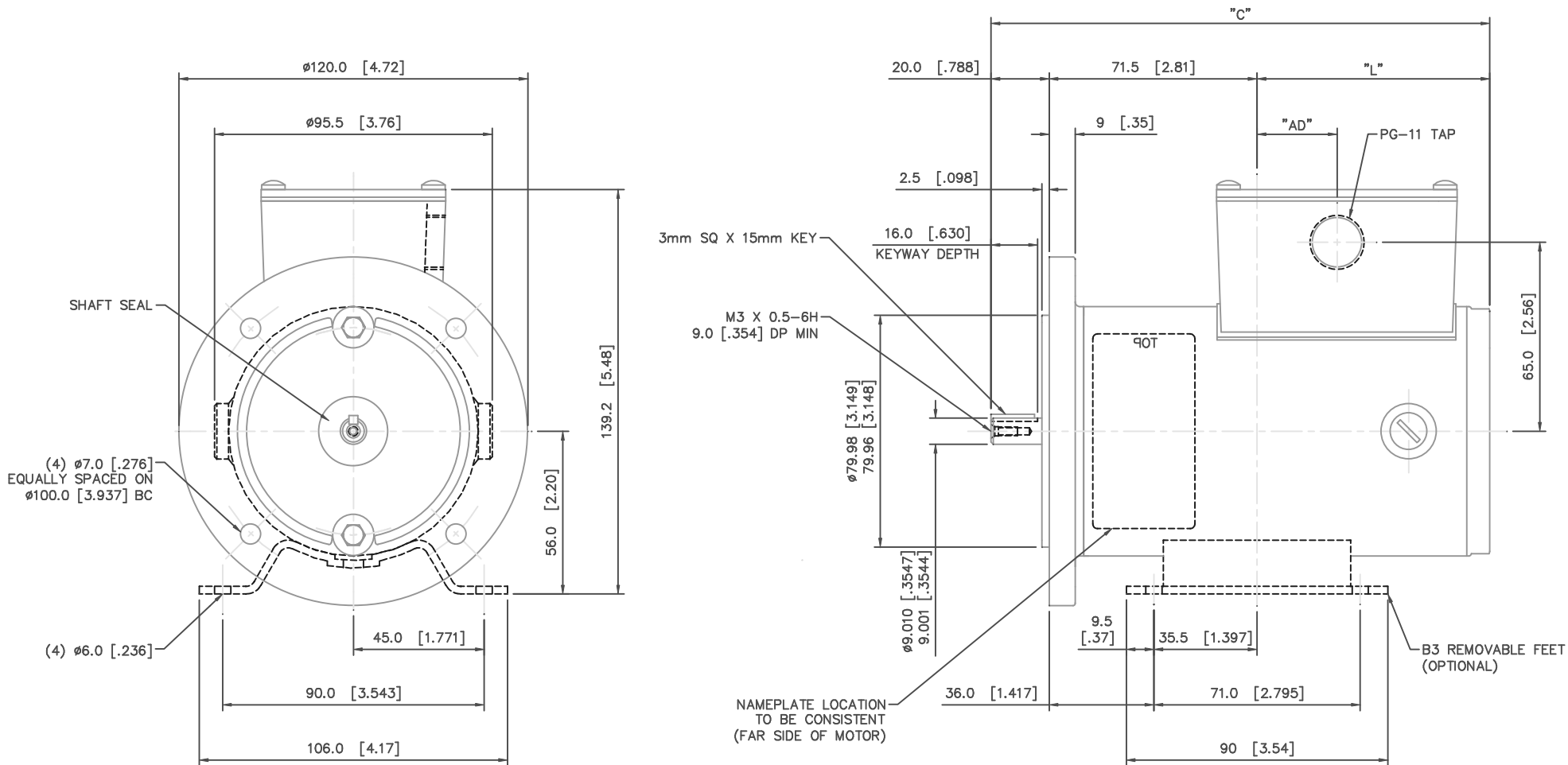
Nameplate Specifications

| | | | |
|------------------------|------------|----------------------------|----------|
| Output KW | 0.18 kW | Voltage | 180 V |
| Current | 1.2 A | Speed | 3000 rpm |
| Service Factor | 1 | Efficiency | 71.6 % |
| Duty | S1 | Insulation Class | F |
| Frame | 56D | Enclosure | IP54 |
| Overload Protector | No | Ambient Temperature | 40 °C |
| Drive End Bearing Size | 6201-13 | Opp Drive End Bearing Size | 6201-13 |
| UL | Recognized | CSA | Y |
| CE | N | | |

Technical Specifications

| | | | |
|-----------------|--------------|--------------------|------------|
| Rotation | Reversible | Mounting | B3/B5 |
| Overall Length | 7.54 in | Frame Length | 5.98 in |
| Shaft Diameter | 0.375 in | Shaft Extension | 0.788 in |
| Outline Drawing | M1030279-E56 | Connection Diagram | M100512601 |

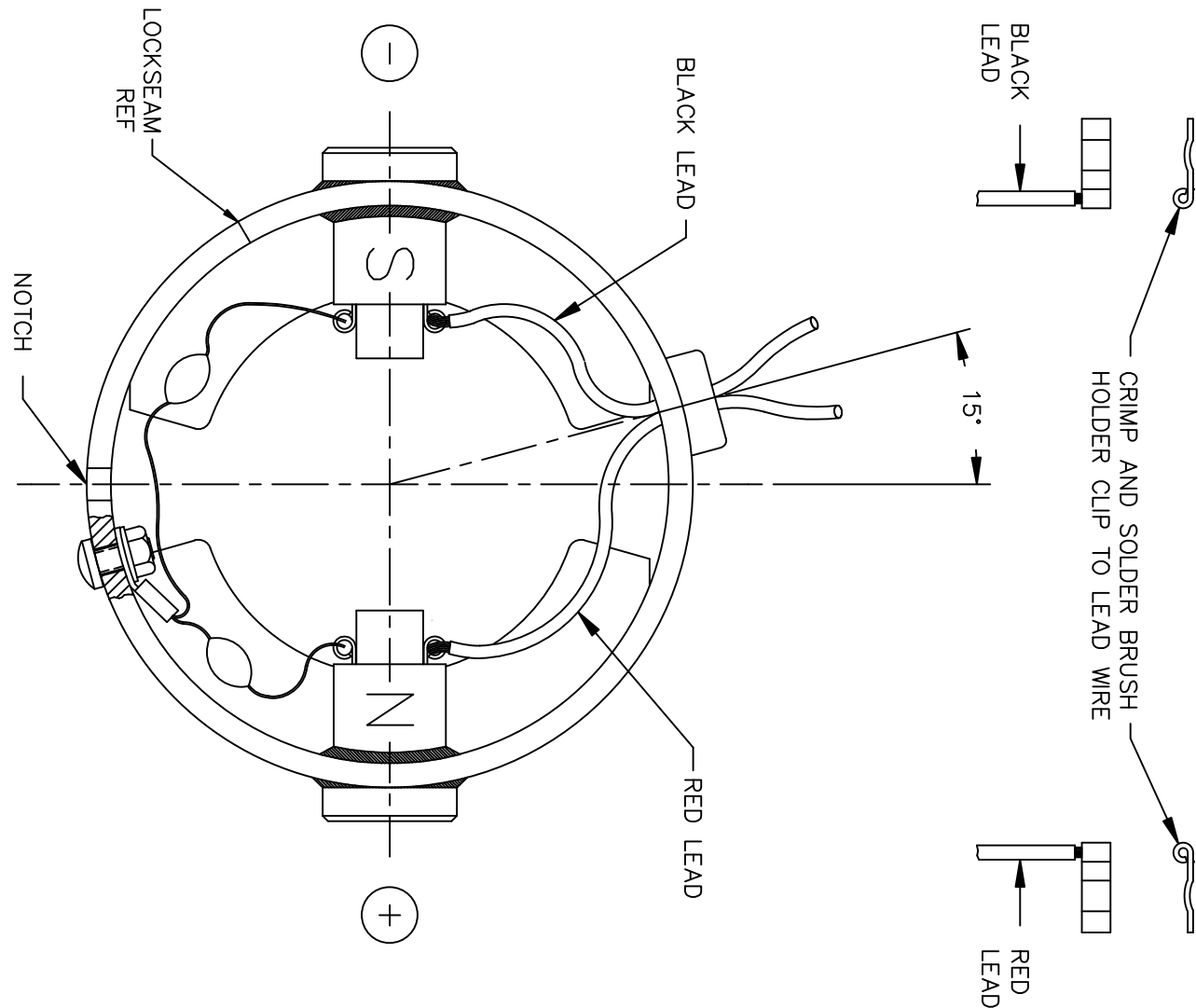
This is an uncontrolled document once printed or downloaded and is subject to change without notice. Date Created: 10/15/2018



| | | | |
|-------|---------------|---------------|--------------|
| E56 | 191.7 [7.547] | 100.1 [3.941] | 49.5 [1.949] |
| C56 | 171.3 [6.744] | 79.8 [3.142] | 29.2 [1.149] |
| B56 | 158.6 [6.244] | 67.1 [2.642] | 16.5 [.649] |
| FRAME | C | L | AD |

| | | | | TOLERANCES UNLESS OTHERWISE SPECIFIED | | | LEESON ELECTRIC CORPORATION | | | |
|---|--------------------------------------|-------------|--------|---------------------------------------|--------|--------|-----------------------------|-------------|--------------------------------|-------------|
| | | | | DEC. | INCHES | METRIC | | | | |
| 03 | REDIMENSIONED WITH DUAL DIMENSIONING | SAD 3/7/01 | IPG | .X | ±.1 | ±.25 | DRAWN | SPV 2/12/92 | TITLE | OUTLINE |
| 02 | EXT DIA CHANGED PER DIN SPECS | PWW 8/4/93 | | .XX | ±.03 | ±.76 | APPR. | TCB 2/14/92 | IEC D56 (34 FRAME) – B5 FLANGE | |
| 01 | ADDED NAMEPLATE | DWF 6/24/92 | | .XXX | ±.005 | ±.127 | R.F.P. | MAT'L | | |
| NO. | REVISION | BY & DATE | CH'KD. | .XXXX | ±.0005 | ±.0127 | SCALE | 3=4 | FINISH | LEESON |
| THIS DRAWING IN DESIGN AND DETAIL IS OUR PROPERTY AND MUST NOT BE USED EXCEPT IN CONNECTION WITH OUR WORK. ALL RIGHTS OF DESIGN AND INVENTION ARE RESERVED. THIS IS AN ELECTRONICALLY GENERATED DOCUMENT – DO NOT SCALE THIS PRINT. | | | | FRACTIONS | ±1/64 | REF. | | | REV. | 03 |
| | | | | ANGLES | ±1/2° | FMF | | | DRAWING NO. | M1030279.00 |

DC MOTORS



CAUTION! FILTER CIRCUIT LEADS WITH BRUSH CLIPS MUST NOT TOUCH HOUSING WALL (INSIDE)

EXTERNAL CONNECTIONS FOR CW ROTATION VIEWING LEAD END OF MOTOR WITH RED LEAD POSITIVE (+) FOR CCW ROTATION REVERSE POLARITY

| | | | | | | | | |
|--|-------------------------------------|--------------|------|-----------------------------|--------|---|-------------------------|---------|
| | | | | TOLERANCES UNLESS SPECIFIED | | LEESON ELECTRIC MOTORS GEARMOTORS AND DRIVES | DRAWN SPV 01/27/92 | |
| | | | | DEC. | INCHES | | CHK | |
| | | | | .X | ±.1 | | APPD DWF 01/27/92 | |
| 02 | REVERSED POLARITY FOR CWLE ROTATION | SMB 11/20/03 | IPG | .XX | ±.01 | TITLE CONNECTION DIAGRAM WITH FILTER CIRCUIT | SCALE 1=1 | |
| | PER M1130392.00 | | | .XXX | ±.005 | | REF | |
| 01 | REMOVED PART NUMBERS | DWF 05/07/96 | | .XXXX | ±.0005 | MAT'L. | FMF M1130136.00 | |
| NO. | REVISION | BY & DATE | CHK | ANG | ±1/2' | FINISH | PREV | |
| THIS DRAWING IN DESIGN AND DETAIL IS OUR PROPERTY AND MUST NOT BE USED EXCEPT IN CONNECTION WITH OUR WORK ALL RIGHTS OF DESIGN AND INVENTION ARE RESERVED THIS IS AN ELECTRONICALLY GENERATED DOCUMENT - DO NOT SCALE THIS PRINT | | | RFP | CAD FILE M100512601 | | SIZE A | DRAWING NO. M1005126.01 | REV. 02 |
| | | | DIST | | | | | |