

PRODUCT INFORMATION PACKET



Model No: CIM34D18ND1B

Catalog No: M1130146.00

...06KW-1/12HP..1800RPM.56D.IP54.180V...S1.40C.1.0SF.B3/B5.CIM34D18ND1B.....DC METRIC.....

Metric Motors



Regal and Leeson are trademarks of Regal Beloit Corporation or one of its affiliated companies.

©2018 Regal Beloit Corporation, All Rights Reserved. MC017097E





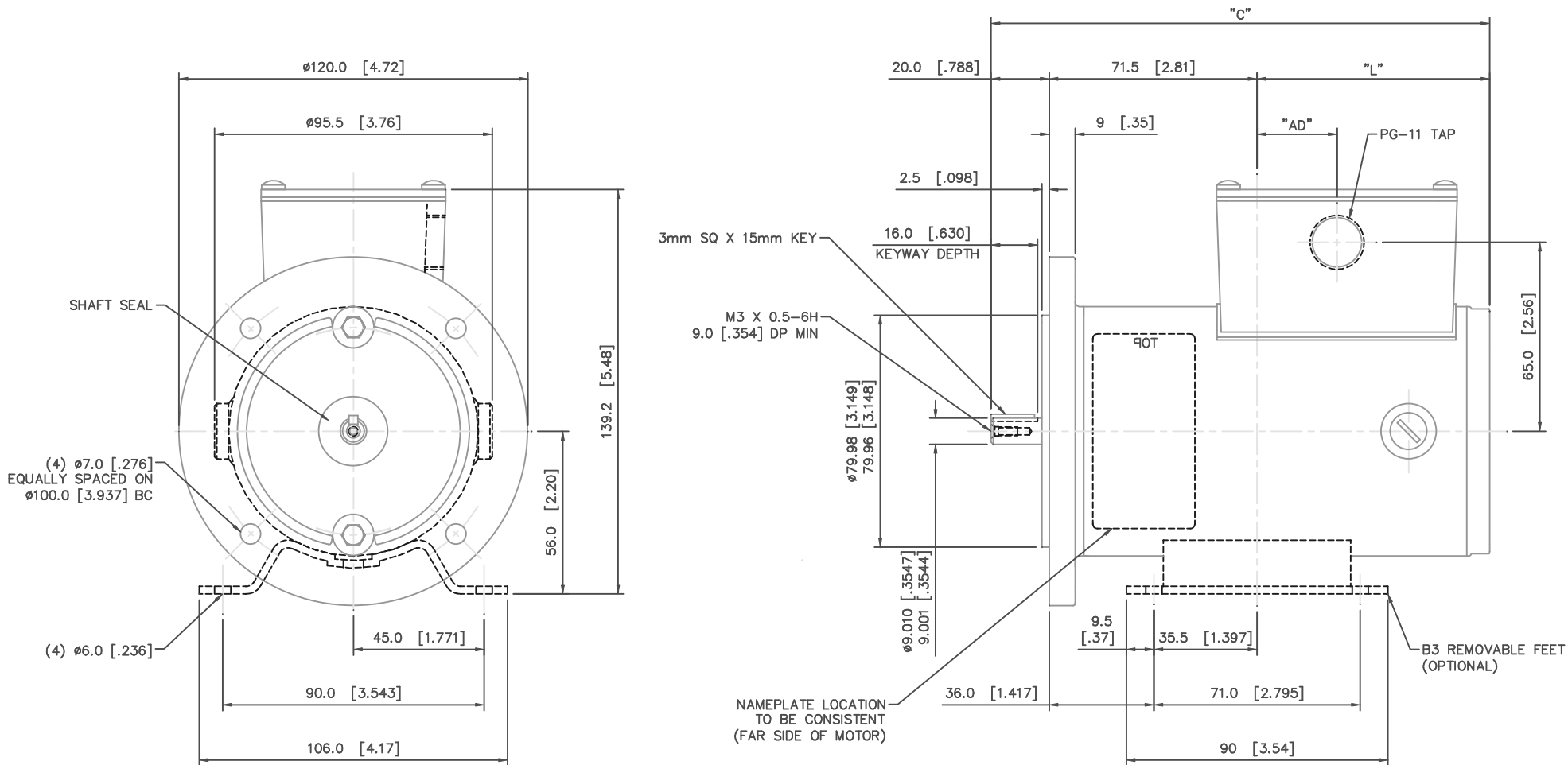
Nameplate Specifications

Output KW	0.09 kW	Voltage	180 V
Current	0.67 A	Speed	1800 rpm
Service Factor	1	Efficiency	70.1 %
Duty	S1	Insulation Class	F
Frame	56D	Enclosure	IP54
Overload Protector	No	Ambient Temperature	40 °C
Drive End Bearing Size	6201-13	Opp Drive End Bearing Size	6201-13
UL	Recognized	CSA	Y
CE	N		

Technical Specifications

Rotation	Reversible	Mounting	B3/B5
Overall Length	6.24 in	Frame Length	4.68 in
Shaft Diameter	0.375 in	Shaft Extension	0.788 in
Outline Drawing	M1030279-B56	Connection Diagram	M100512601

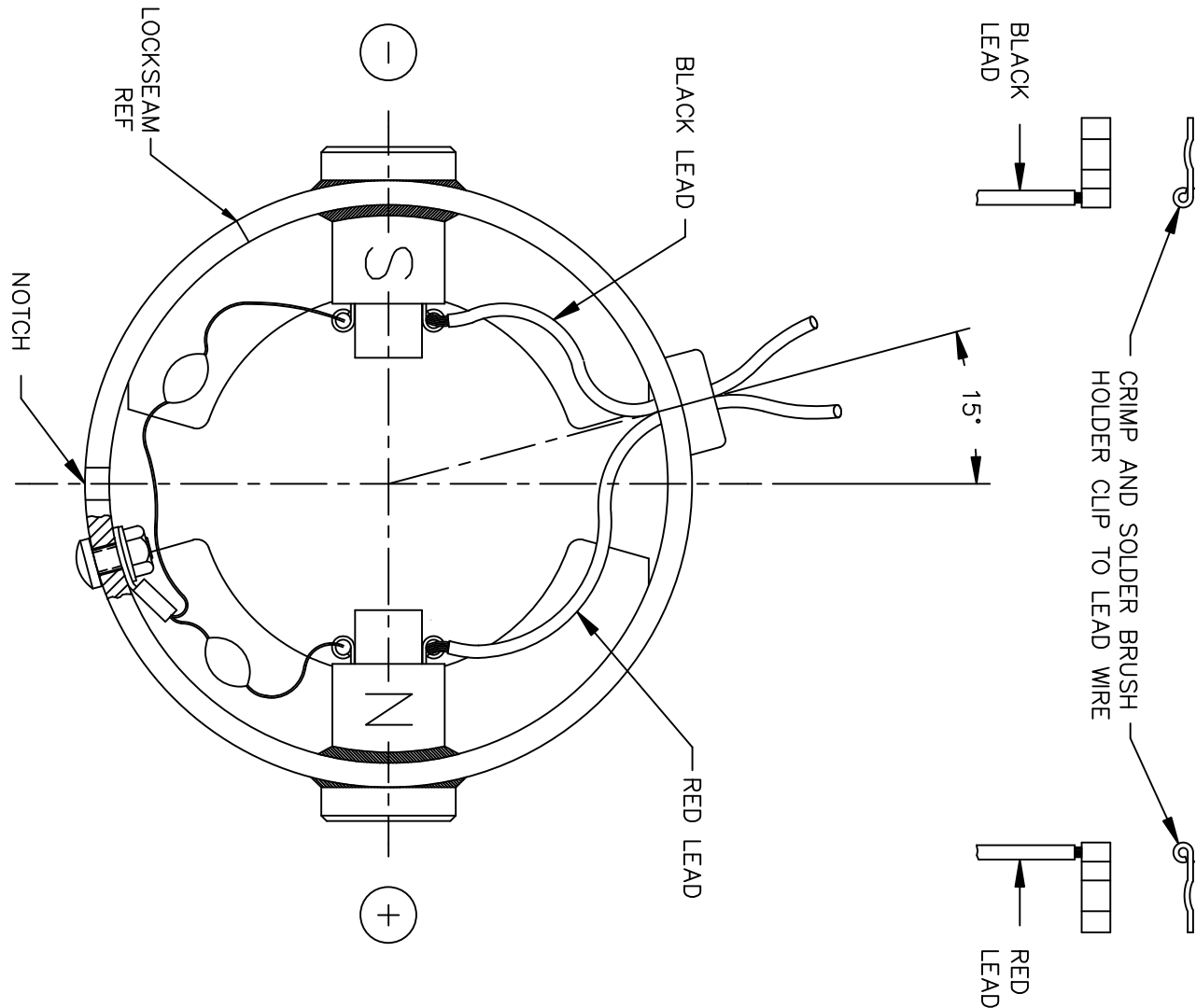
This is an uncontrolled document once printed or downloaded and is subject to change without notice. Date Created: 10/15/2018



E56	191.7 [7.547]	100.1 [3.941]	49.5 [1.949]
C56	171.3 [6.744]	79.8 [3.142]	29.2 [1.149]
B56	158.6 [6.244]	67.1 [2.642]	16.5 [.649]
FRAME	C	L	AD


				TOLERANCES UNLESS OTHERWISE SPECIFIED			LEESON ELECTRIC CORPORATION			
				DEC.	INCHES	METRIC				
03	REDIMENSIONED WITH DUAL DIMENSIONING	SAD 3/7/01	IPG	.X	±.1	±.25	DRAWN	SPV 2/12/92	TITLE	OUTLINE
02	EXT DIA CHANGED PER DIN SPECS	PWW 8/4/93		.XX	±.03	±.76	APPR.	TCB 2/14/92	IEC D56 (34 FRAME) – B5 FLANGE	
01	ADDED NAMEPLATE	DWF 6/24/92		.XXX	±.005	±.127	R.F.P.	MAT'L		
NO.	REVISION	BY & DATE	CH'KD.	.XXXX	±.0005	±.0127	SCALE	3=4		
THIS DRAWING IN DESIGN AND DETAIL IS OUR PROPERTY AND MUST NOT BE USED EXCEPT IN CONNECTION WITH OUR WORK. ALL RIGHTS OF DESIGN AND INVENTION ARE RESERVED. THIS IS AN ELECTRONICALLY GENERATED DOCUMENT – DO NOT SCALE THIS PRINT.				FRACTIONS	±1/64	REF.	FINISH	LEESON	REV.	DRAWING NO.
				ANGLES	±1/2°	FMF	STOCK	03	M1030279.00	

DC MOTORS



CAUTION! FILTER CIRCUIT LEADS WITH BRUSH CLIPS MUST NOT TOUCH HOUSING WALL (INSIDE)

EXTERNAL CONNECTIONS FOR CW ROTATION VIEWING LEAD END OF MOTOR WITH RED LEAD POSITIVE (+) FOR CCW ROTATION REVERSE POLARITY

				TOLERANCES UNLESS SPECIFIED		 ELECTRIC MOTORS GEARMOTORS AND DRIVES	DRAWN	SPV 01/27/92		
				DEC.	INCHES		CHK			
				.X	±.1		APPD	DWF 01/27/92		
02	REVERSED POLARITY FOR CWLE ROTATION	SMB	11/20/03	IPG	.XX ±.01	TITLE	SCALE	1=1		
	PER M1130392.00				.XXX ±.005	CONNECTION DIAGRAM WITH FILTER CIRCUIT	REF			
01	REMOVED PART NUMBERS	DWF	05/07/96		.XXXX ±.0005	MAT'L.	FMF	M1130136.00		
NO.	REVISION	BY & DATE	CHK	ANG	±1/2'	FINISH	PREV			
THIS DRAWING IN DESIGN AND DETAIL IS OUR PROPERTY AND MUST NOT BE USED EXCEPT IN CONNECTION WITH OUR WORK ALL RIGHTS OF DESIGN AND INVENTION ARE RESERVED THIS IS AN ELECTRONICALLY GENERATED DOCUMENT - DO NOT SCALE THIS PRINT				RFP		CAD FILE	M100512601	SIZE	DRAWING NO.	REV.
				DIST				A	M1005126.01	02