

PRODUCT INFORMATION PACKET



Model No: CIM34D30NC3B

Catalog No: M1130142.00

...18KW-1/4HP..3000RPM.63D.IP54.180V...S1.40C.1.0SF.B14.CIM34D30NC3B.....DC METRIC.....

Metric Motors



Regal and Leeson are trademarks of Regal Beloit Corporation or one of its affiliated companies.

©2018 Regal Beloit Corporation, All Rights Reserved. MC017097E





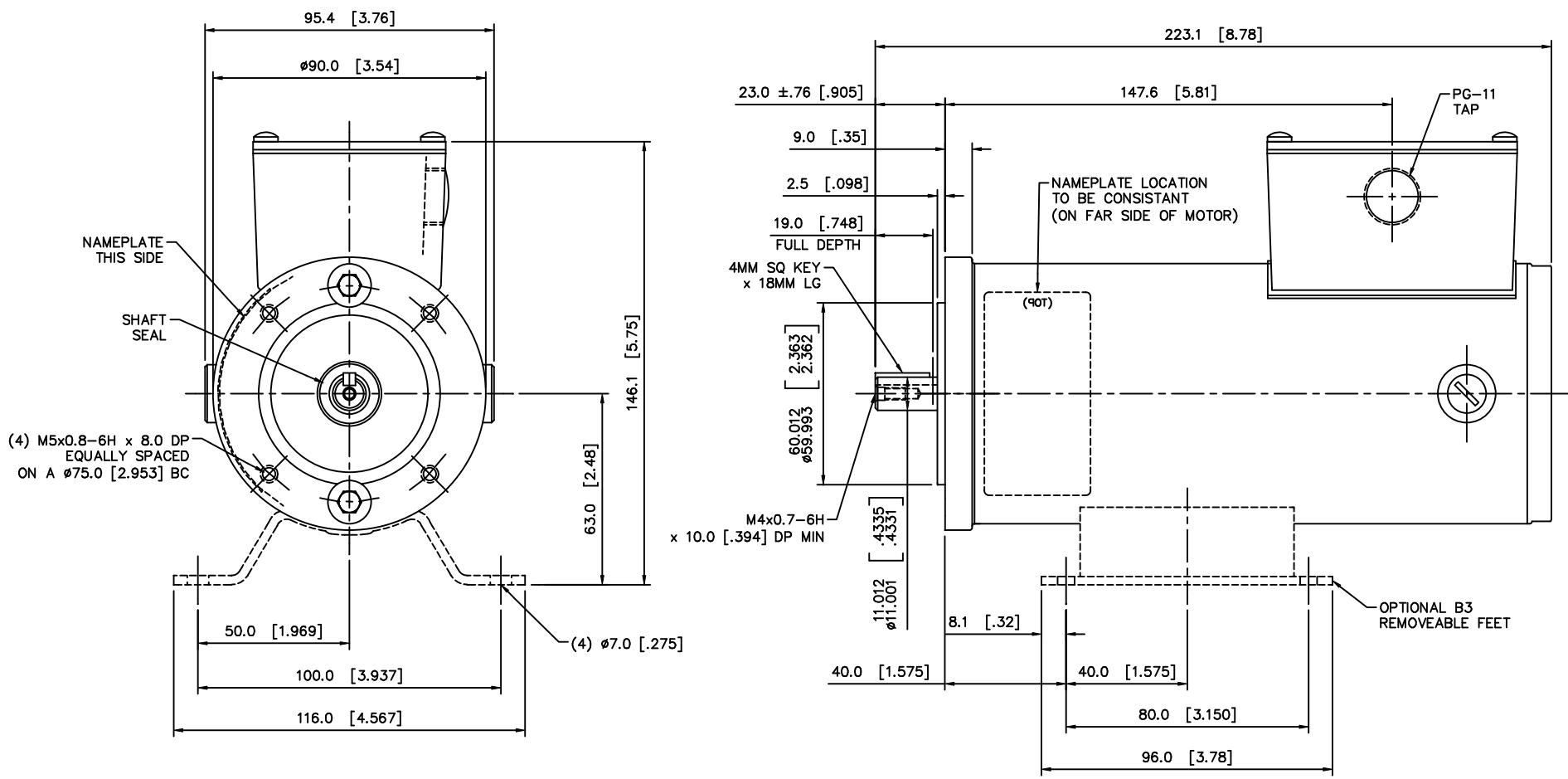
Nameplate Specifications

Output KW	0.25 kW	Voltage	180 V
Current	1.7 A	Speed	3000 rpm
Service Factor	1	Efficiency	73 %
Duty	S1	Insulation Class	F
Frame	63D	Enclosure	IP54
Overload Protector	No	Ambient Temperature	40 °C
Drive End Bearing Size	6201-13	Opp Drive End Bearing Size	6201-13
UL	Recognized	CSA	Y
CE	Y		

Technical Specifications

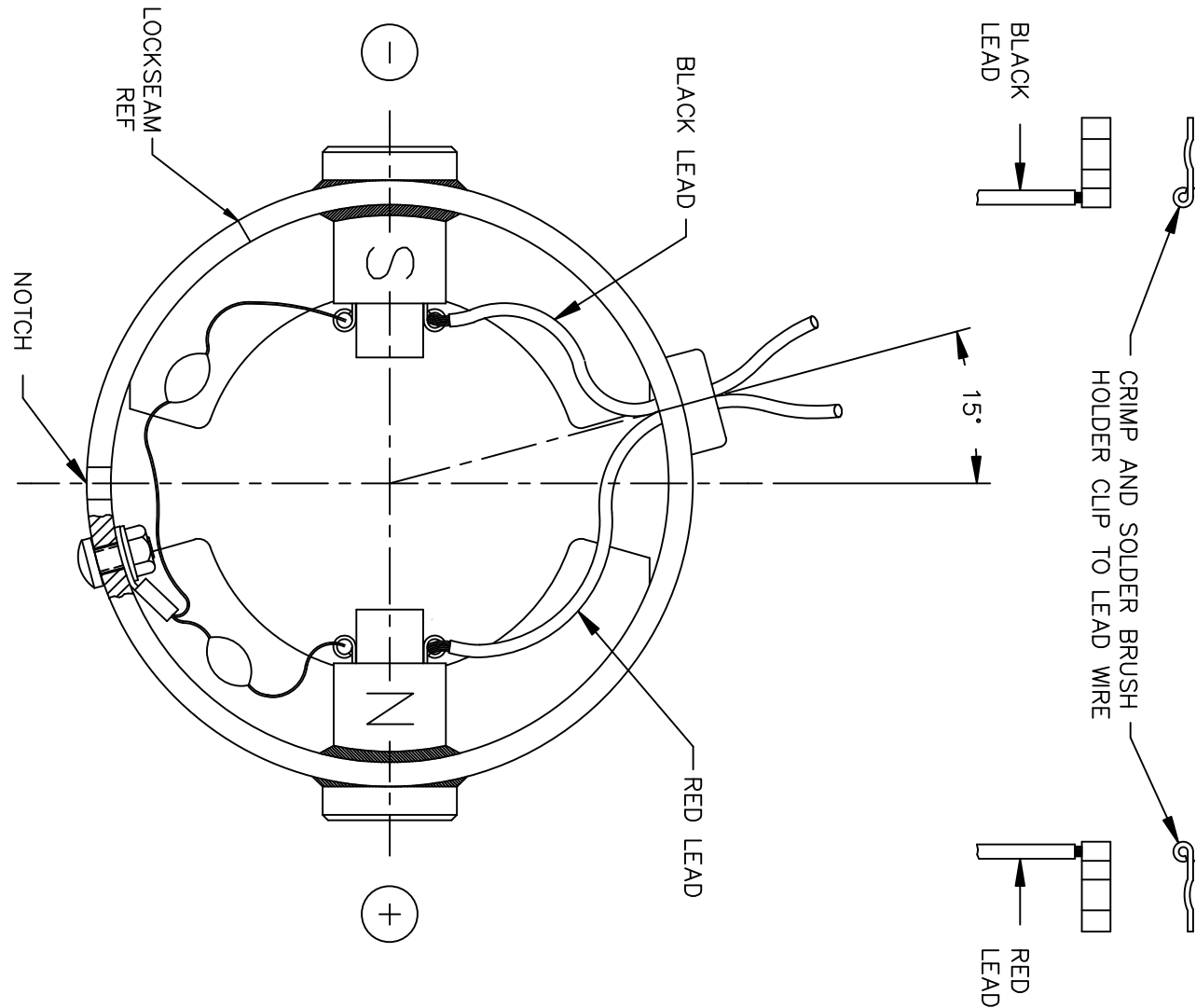
Rotation	Reversible	Mounting	B14
Overall Length	8.78 in	Frame Length	7.18 in
Shaft Diameter	0.437 in	Shaft Extension	0.905 in
Outline Drawing	M1030280	Connection Diagram	M100512601

This is an uncontrolled document once printed or downloaded and is subject to change without notice. Date Created: 10/15/2018




		TOLERANCES UNLESS SPECIFIED		LEESON		ELECTRIC MOTORS GEARMOTORS AND DRIVES		DRAWN SPV 02/05/92				
		DEC.	INCHES					CHK	TCB 02/14/92			
04	ADDED ±.76 TO THE 23.0 [.905] DIM PER ECR 82033	BPW	04/17/03	SAD	.X	±.1	TITLE	OUTLINE PERMANENT MAGNET DC MOTOR IEC 63 B14				
03	ADDED METRIC DIM'S	SPV	06/26/98	.XX	±.03			APPD	DJW 03/02/92			
02	MOVED NAMEPLATE TO OTHER SIDE	DWF	06/24/92	.XXX	±.005			SCALE	3=4			
01	ADDED NAMEPLATE LOCATION	DWF	05/07/92	.XXXX	±.0005			REF				
NO.	REVISION	BY & DATE	CHK	ANG	±1/2"	FINISH			PREV			
THIS DRAWING IN DESIGN AND DETAIL IS OUR PROPERTY AND MUST NOT BE USED EXCEPT IN CONNECTION WITH OUR WORK ALL RIGHTS OF DESIGN AND INVENTION ARE RESERVED THIS IS AN ELECTRONICALLY GENERATED DOCUMENT - DO NOT SCALE THIS PRINT							RFP	CAD FILE	M1030280	SIZE	DRAWING NO.	REV.
							DIST	B	M1030280.00	04		

DC MOTORS



CAUTION! FILTER CIRCUIT LEADS WITH BRUSH CLIPS MUST NOT TOUCH HOUSING WALL (INSIDE)

EXTERNAL CONNECTIONS FOR CW ROTATION VIEWING LEAD END OF MOTOR WITH RED LEAD POSITIVE (+) FOR CCW ROTATION REVERSE POLARITY

				TOLERANCES UNLESS SPECIFIED		 ELECTRIC MOTORS GEARMOTORS AND DRIVES	DRAWN	SPV 01/27/92		
				DEC.	INCHES		CHK			
				.X	±.1		APPD	DWF 01/27/92		
02	REVERSED POLARITY FOR CWLE ROTATION	SMB	11/20/03	IPG	.XX ±.01	TITLE	SCALE	1=1		
	PER M1130392.00				.XXX ±.005	CONNECTION DIAGRAM WITH FILTER CIRCUIT	REF			
01	REMOVED PART NUMBERS	DWF	05/07/96		.XXXX ±.0005	MAT'L.	FMF	M1130136.00		
NO.	REVISION	BY & DATE	CHK	ANG	±1/2'	FINISH	PREV			
THIS DRAWING IN DESIGN AND DETAIL IS OUR PROPERTY AND MUST NOT BE USED EXCEPT IN CONNECTION WITH OUR WORK ALL RIGHTS OF DESIGN AND INVENTION ARE RESERVED THIS IS AN ELECTRONICALLY GENERATED DOCUMENT - DO NOT SCALE THIS PRINT				RFP		CAD FILE	M100512601	SIZE	DRAWING NO.	REV.
				DIST				A	M1005126.01	02