

PRODUCT INFORMATION PACKET



Model No: CIM34D18FC2B

Catalog No: M1130139.00

...18KW-1/4HP..1800RPM.63D.IP54.180V...S1.40C.1.0SF.B14.CIM34D18FC2B.....DC METRIC.....

Metric Motors



Regal and Leeson are trademarks of Regal Beloit Corporation or one of its affiliated companies.

©2018 Regal Beloit Corporation, All Rights Reserved. MC017097E





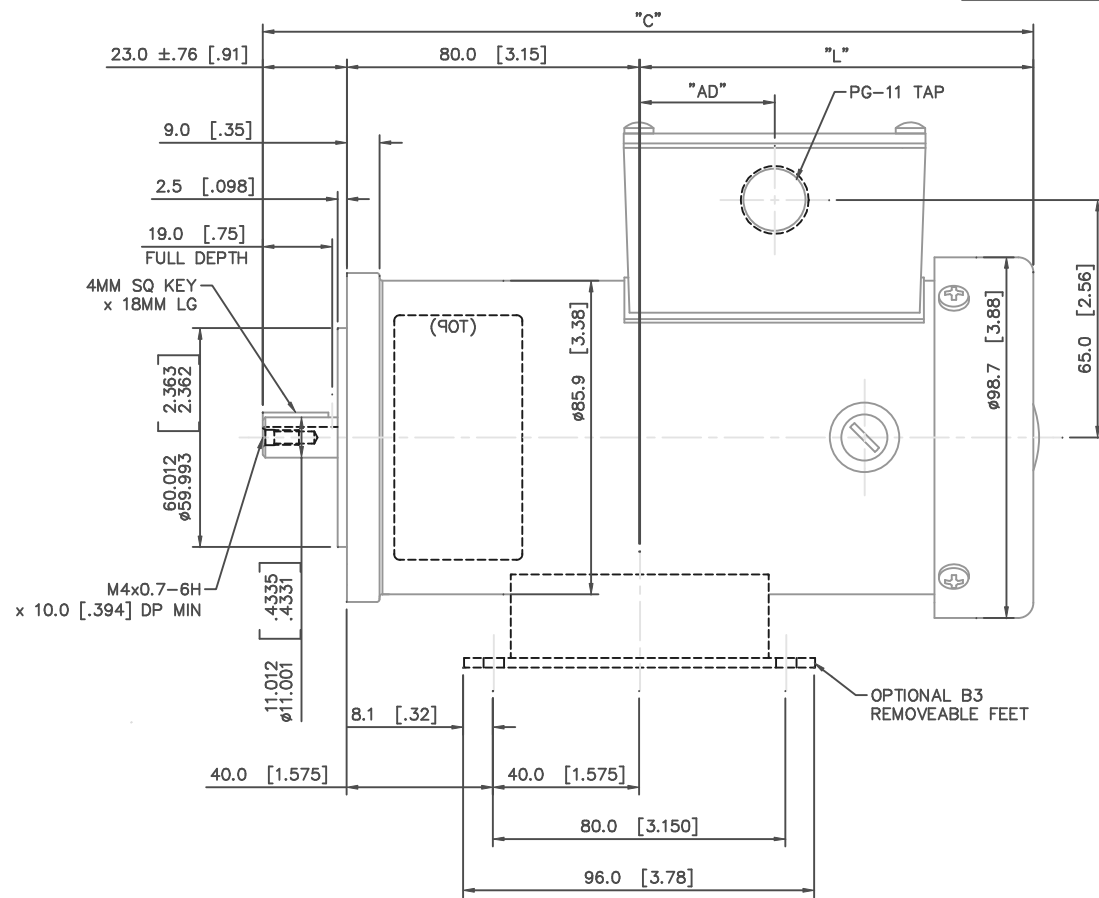
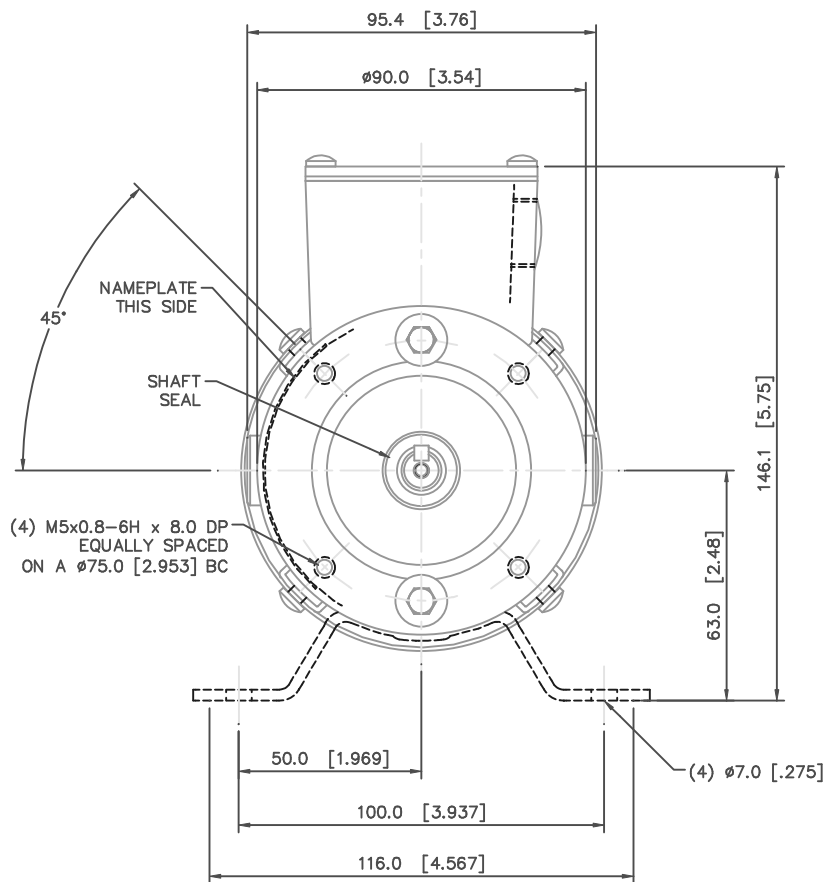
Nameplate Specifications

Output KW	0.25 kW	Voltage	180 V
Current	1.7 A	Speed	1800 rpm
Service Factor	1	Efficiency	74.4 %
Duty	S1	Insulation Class	H
Frame	63D	Enclosure	IP54
Overload Protector	No	Ambient Temperature	40 °C
Drive End Bearing Size	6201-13	Opp Drive End Bearing Size	6201-13
UL	Recognized	CSA	Y
CE	Y		

Technical Specifications

Rotation	Reversible	Mounting	B14
Overall Length	9.50 in	Frame Length	7.18 in
Shaft Diameter	0.437 in	Shaft Extension	0.91 in
Outline Drawing	M1030282-G63	Connection Diagram	M100512601

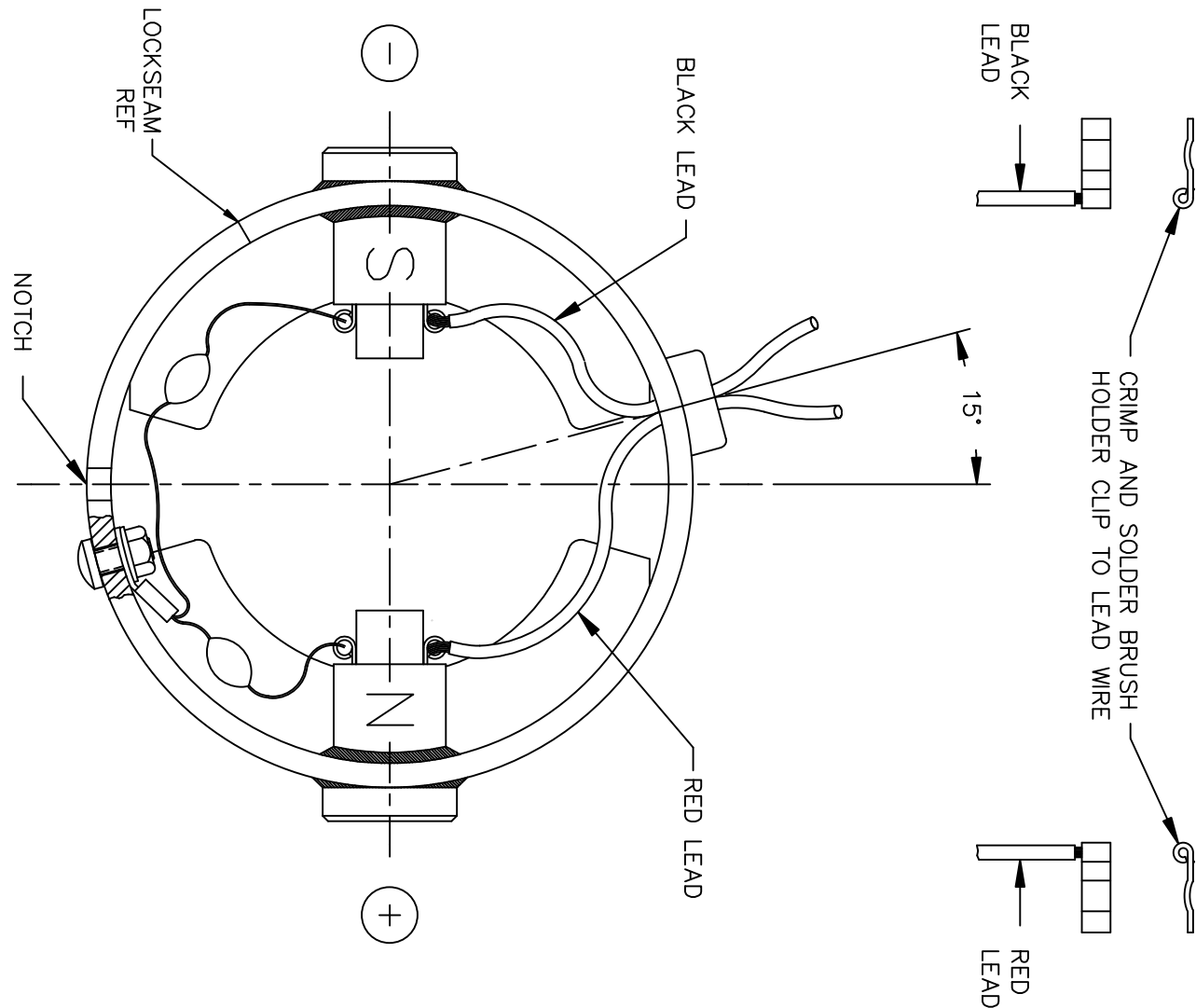
This is an uncontrolled document once printed or downloaded and is subject to change without notice. Date Created: 10/15/2018



G63	241.3 [9.50]	138.2 [5.44]	67.3 [2.65]
E63	210.8 [8.30]	107.7 [4.24]	36.8 [1.45]
FRAME	C	L	AD


		TOLERANCES UNLESS SPECIFIED		LEESON		ELECTRIC MOTORS GEARMOTORS AND DRIVES		DRAWN SPV 02/05/92	
		DEC.	INCHES					CHK	
04	ADDED ±.76 TO THE 23.0 [.905] DIM PER ECR 82033	BPW	04/21/03	SAD	.X	±.1	TITLE	OUTLINE	APPD DJW 03/02/92
03	DIM 9.50 WAS 9.504, 8.30 WAS 8.304, ECR 79823	IPG	08/22/01	SAD	.XX	±.03	34 FRAME DC - IEC D63 - B14 FACE		SCALE 3=4
02	REVISED TO NEW FAN, ADDED METRIC DIM'S	SPV	02/18/97		.XXX	±.005	MAT'L		REF
01	ADDED NAMEPLATE	DWF	06/24/92		.XXXX	±.0005	FINISH	STOCK	FMF M1130139.00
NO.	REVISION	BY & DATE		CHK	ANG	±1/2"	PREV		
THIS DRAWING IN DESIGN AND DETAIL IS OUR PROPERTY AND MUST NOT BE USED EXCEPT IN CONNECTION WITH OUR WORK ALL RIGHTS OF DESIGN AND INVENTION ARE RESERVED THIS IS AN ELECTRONICALLY GENERATED DOCUMENT - DO NOT SCALE THIS PRINT				RFP	CAD FILE M1030282		SIZE	DRAWING NO.	REV.
				DIST			B	M1030282.00	04

DC MOTORS



CAUTION! FILTER CIRCUIT LEADS WITH BRUSH CLIPS MUST NOT TOUCH HOUSING WALL (INSIDE)

EXTERNAL CONNECTIONS FOR CW ROTATION VIEWING LEAD END OF MOTOR WITH RED LEAD POSITIVE (+) FOR CCW ROTATION REVERSE POLARITY

				TOLERANCES UNLESS SPECIFIED		 ELECTRIC MOTORS GEARMOTORS AND DRIVES	DRAWN SPV 01/27/92 CHK
				DEC.	INCHES		APPD DWF 01/27/92
02	REVERSED POLARITY FOR CWLE ROTATION	SMB 11/20/03	IPG	.XX	±.01	TITLE	SCALE 1=1
	PER M1130392.00			.XXX	±.005	CONNECTION DIAGRAM WITH FILTER CIRCUIT	REF
01	REMOVED PART NUMBERS	DWF 05/07/96		.XXXX	±.0005	MAT'L.	FMF M1130136.00
NO.	REVISION	BY & DATE	CHK	ANG	±1/2'	FINISH	PREV
THIS DRAWING IN DESIGN AND DETAIL IS OUR PROPERTY AND MUST NOT BE USED EXCEPT IN CONNECTION WITH OUR WORK ALL RIGHTS OF DESIGN AND INVENTION ARE RESERVED THIS IS AN ELECTRONICALLY GENERATED DOCUMENT - DO NOT SCALE THIS PRINT			RFP	CAD FILE M100512601		SIZE A	DRAWING NO. M1005126.01
			DIST				REV. 02