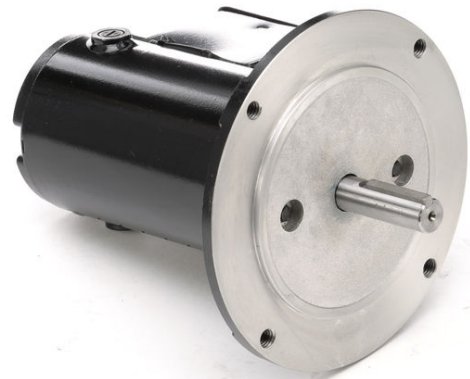


PRODUCT INFORMATION PACKET



Model No: CM34D17NC9C
Catalog No: M1130119.00
1/6HP.1750RPM.34.TENV.180V.CONT.40C.1.0SF.56 C FACE.DC SUB-FHP
Sub-Fractional



Regal and Leeson are trademarks of Regal Beloit Corporation or one of its affiliated companies.
©2018 Regal Beloit Corporation, All Rights Reserved. MC017097E





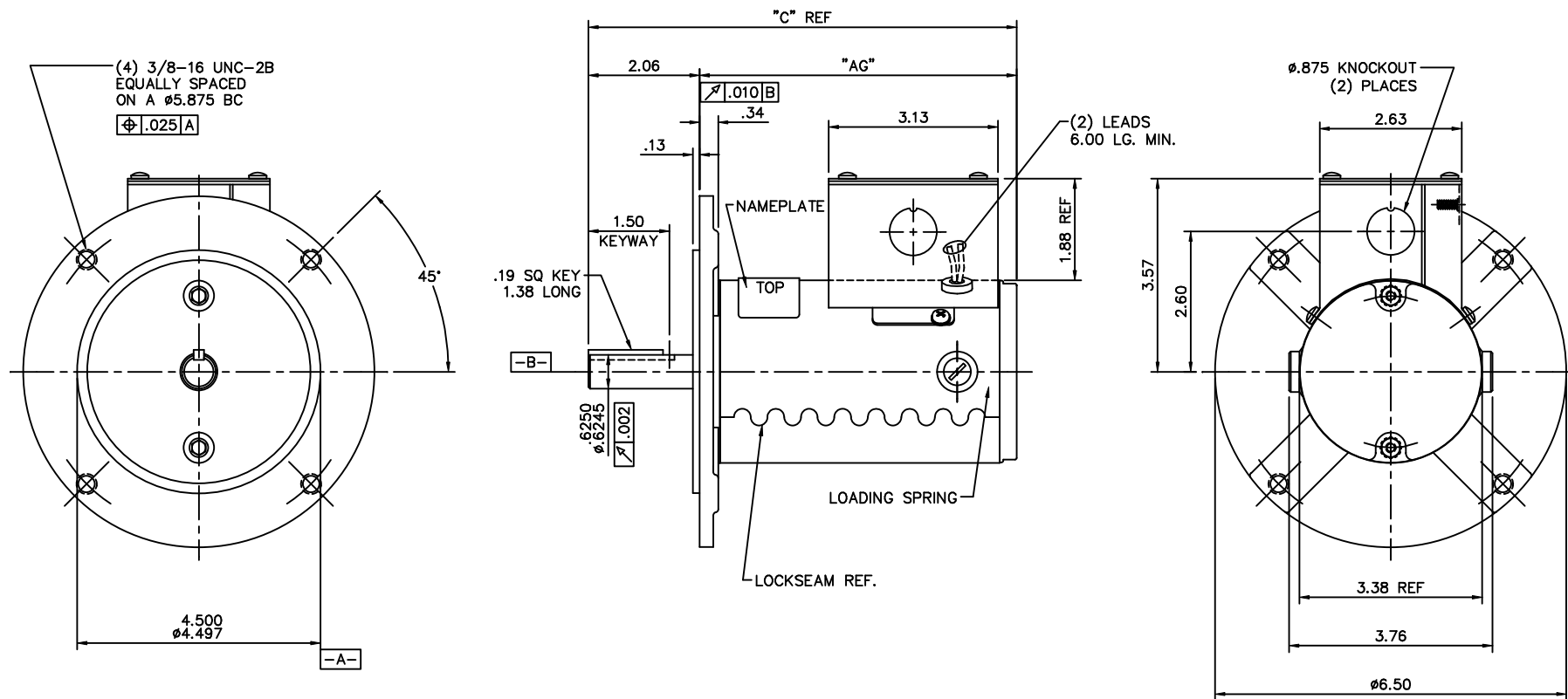
Nameplate Specifications

Output HP	0.17 Hp	Output KW	0.13 kW
Voltage	180 V	Current	0.88 A
Speed	1750 rpm	Service Factor	1
Efficiency	76.1 %	Duty	Continuous
Insulation Class	F	Frame	34
Enclosure	Totally Enclosed Non Ventilated	Overload Protector	No
Ambient Temperature	40 °C	Drive End Bearing Size	6003
Opp Drive End Bearing Size	608	UL	Recognized
CSA	Y	CE	Y

Technical Specifications

Rotation	Reversible	Mounting	Round
Overall Length	8.93 in	Frame Length	6.18 in
Shaft Diameter	0.625 in	Shaft Extension	2.06 in
Outline Drawing	M1030138-M1130119	Connection Diagram	M100508401

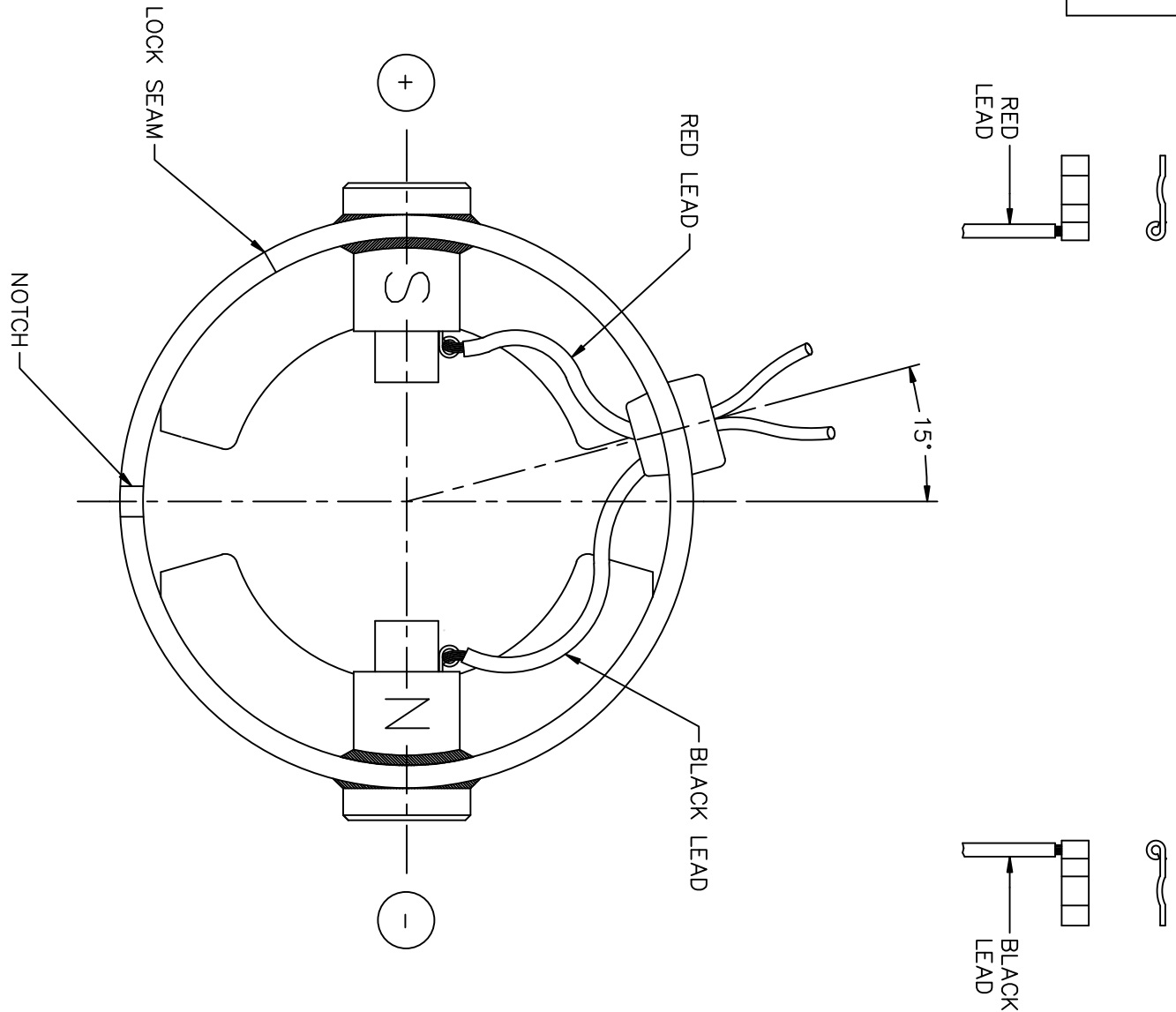
This is an uncontrolled document once printed or downloaded and is subject to change without notice. Date Created: 10/15/2018




CATALOG NO.	VOLTS	HP	RPM	"C"	"AG"
M1130054.00	90	1/6	1750	8.93	6.87
M1130119.00	180	1/6	1750	8.93	6.87

07	CONDUIT BOX STUD WAS ON OPPOSITE WALL. ECR89555	RPB	2/14/07	BC	TOLERANCES UNLESS SPECIFIED		ELECTRIC MOTORS GEARMOTORS AND DRIVES	DRAWN	PG 11/17/89		
06	CORRECTED GEOMETRIC DIMENSIONING	SAD	5/29/01	IPG	DEC.			INCHES	CHK		
05	CORRECTED SHAFT RUNOUT ECR 73437	SAD	5/3/01	IPG	.X	±.1	APPD	PW 1/5/90			
04	CORRECTED NUMBER OF LEADS FROM 3 TO 2	IPG	4/27/01	SAD	.XX	±.03	TITLE	1=2			
03	REDRAWN AND ADDED NEW CONDUIT BOX	SPV	9/29/95		.XXX	±.005	OUTLINE	REF	M1030132.00		
02	ITEMIZED STOCK REFERENCES	SPV	8/1/91		.XXXX	±.0005	34 FRAME D.C.	FMF	CM34D17NC2		
NO.	REVISION	BY & DATE	CHK	ANG	±1/2"	FINISH	MAT'L	PREV			
THIS DRAWING IN DESIGN AND DETAIL IS OUR PROPERTY AND MUST NOT BE USED EXCEPT IN CONNECTION WITH OUR WORK ALL RIGHTS OF DESIGN AND INVENTION ARE RESERVED THIS IS AN ELECTRONICALLY GENERATED DOCUMENT - DO NOT SCALE THIS PRINT						RFP	CAD FILE	M1030138	SIZE	DRAWING NO.	REV.
						DIST	B	M1030138.00	07		

DC MOTORS



EXTERNAL CONNECTIONS FOR CCW ROTATION VIEWING
 LEAD END OF MOTOR WITH RED LEAD POSITIVE (+)
 AND BLACK LEAD NEGATIVE (-) FOR CW ROTATION
 POLARITY

				TOLERANCES UNLESS SPECIFIED		 ELECTRIC MOTORS GEARMOTORS AND DRIVES	DRAWN PG 10/30/89 CHK APPD PW 10/31/89
				DEC.	INCHES		SCALE 1=1
03	REMOVED BARRIERS, NOT NEEDED, ISAAC 10-1959	IPG 5/14/2010	SK	.XX	±.01	TITLE CONNECTION DIAGRAM MAT'L. FINISH	REF 15008-01-117
02	CORRECTED "N" & "S" PER ECR 83508	SMB 12/16/03	IPG	.XXX	±.005		FMF CM31D17NZ1
01	REDRAWN ON CAD	AJR 06/30/99		.XXXX	±.0005		PREV
NO.	REVISION	BY & DATE	CHK	ANG	±1/2"		
THIS DRAWING IN DESIGN AND DETAIL IS OUR PROPERTY AND MUST NOT BE USED EXCEPT IN CONNECTION WITH OUR WORK ALL RIGHTS OF DESIGN AND INVENTION ARE RESERVED THIS IS AN ELECTRONICALLY GENERATED DOCUMENT - DO NOT SCALE THIS PRINT				RFP	CAD FILE	M100508401	SIZE A DRAWING NO. M1005084.01
				DIST			REV. 03