

PRODUCT INFORMATION PACKET



Model No: CM34D17NC8C

Catalog No: M1130118.00

1/8HP.1750RPM.34.TENV.180V.CONT.40C.1SF.42 C FACE.DC SUB-FHP.CM34D17NC8C
Sub-Fractional



Regal and Leeson are trademarks of Regal Beloit Corporation or one of its affiliated companies.

©2018 Regal Beloit Corporation, All Rights Reserved. MC017097E





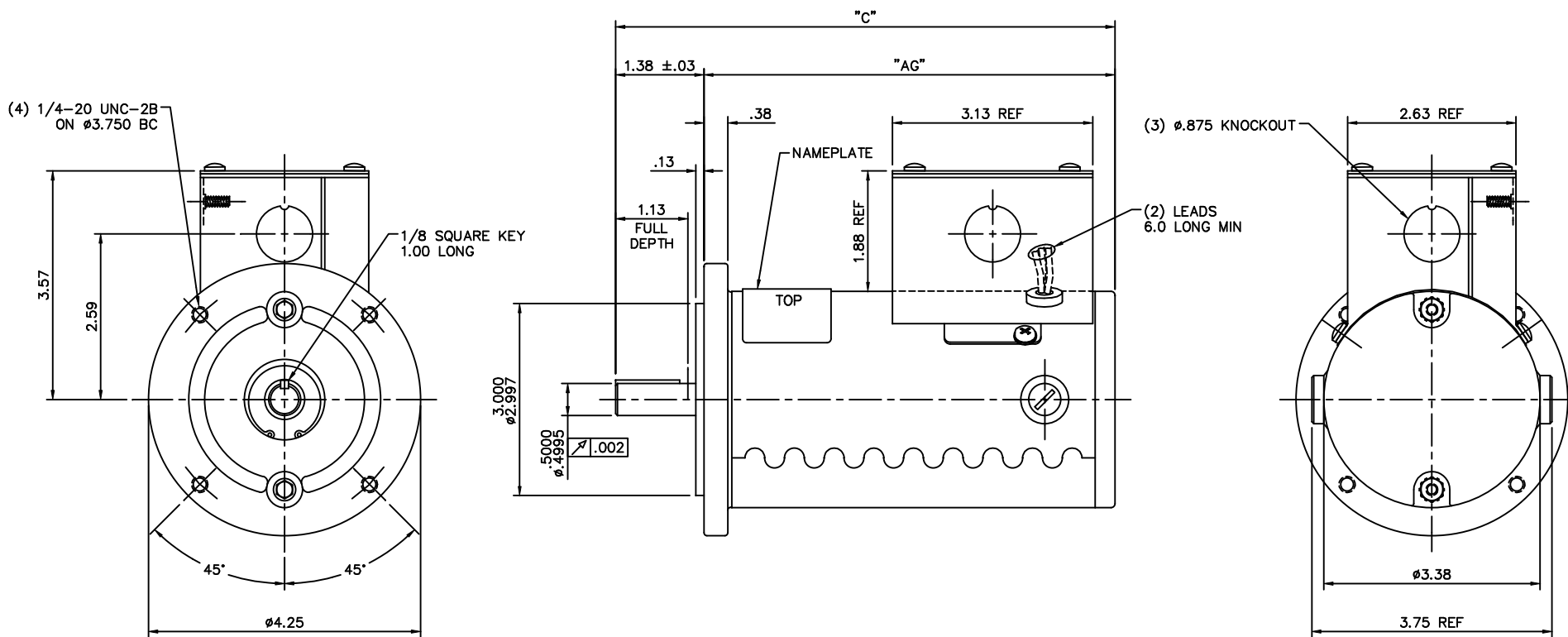
Nameplate Specifications

Output HP	0.13 Hp	Output KW	0.10 kW
Voltage	180 V	Current	0.70 A
Speed	1750 rpm	Service Factor	1
Efficiency	75.7 %	Duty	Continuous
Insulation Class	F	Frame	34
Enclosure	Totally Enclosed Non Ventilated	Overload Protector	No
Ambient Temperature	40 °C	Drive End Bearing Size	6201-13
Opp Drive End Bearing Size	608	UL	Recognized
CSA	Y	CE	Y

Technical Specifications

Rotation	Reversible	Mounting	Round
Overall Length	7.81 in	Frame Length	5.68 in
Shaft Diameter	0.500 in	Shaft Extension	1.38 in
Outline Drawing	M1030130-M1130118	Connection Diagram	M100508401

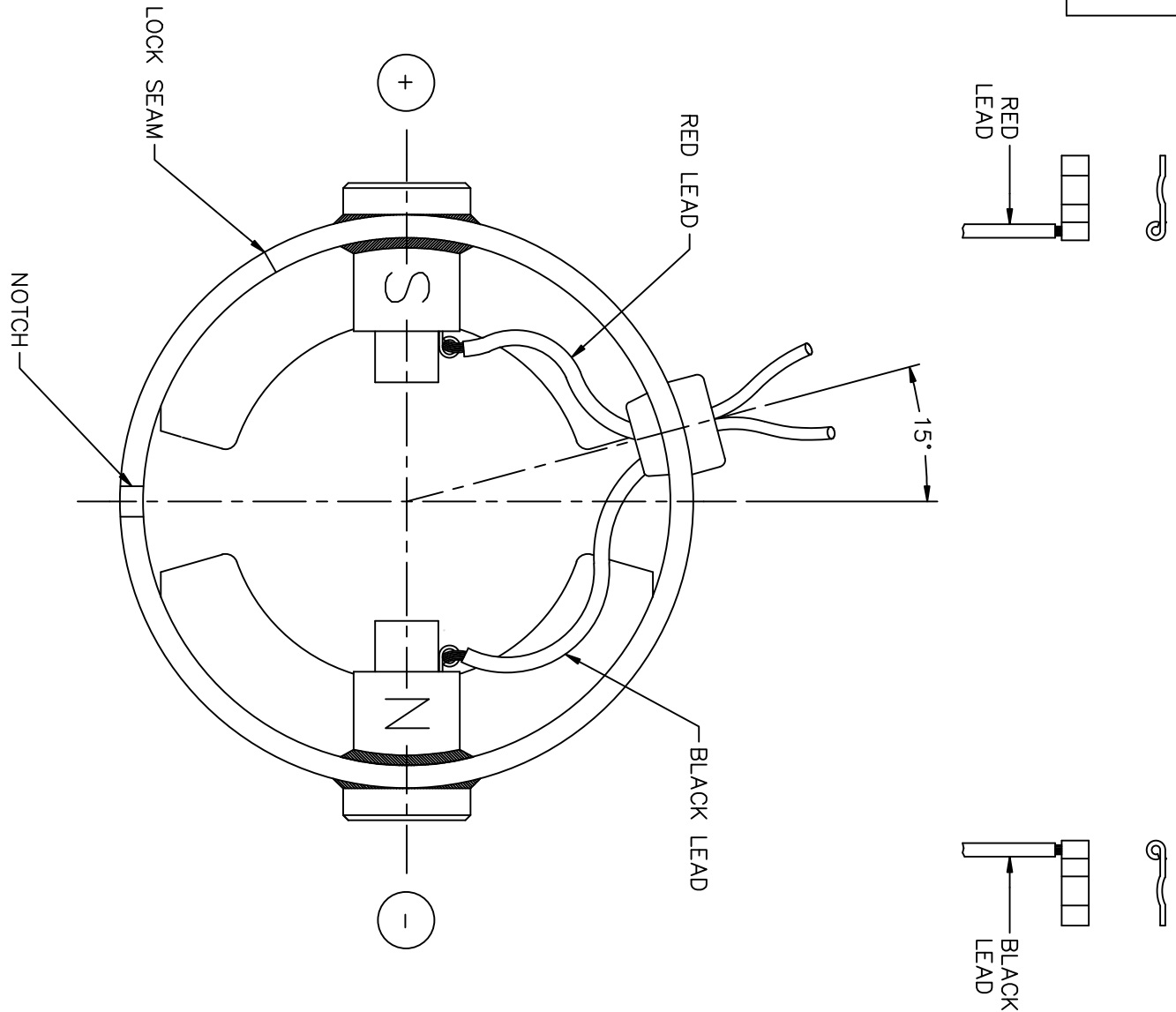
This is an uncontrolled document once printed or downloaded and is subject to change without notice. Date Created: 10/15/2018




CATALOG NO.	VOLTS	HP	RPM	"C"	"AG"
M1130053.00	90	1/8	1750	7.81	6.43
M1130118.00	180	1/8	1750	7.81	6.43

NO.	REVISION	BY & DATE	CHK	ANG	FINISH	PREV																																																								
08	REMOVED TOL. NOTE PER ECR 76063	BPW 08/05/02	SAD	TOLERANCES UNLESS SPECIFIED																																																										
07	REWORKED KNOCKOUT NOTE PER ECR 79956	BPW 04/29/02	SAD	DEC.	INCHES																																																									
06	REDRAWN TO STANDARDS & REMOVED DATUM "B"	SAD 5/2/01	BC	.X	$\pm .1$																																																									
05	MOVED GROUND SCREW TO PROPER LOCATION	SAD 12/16/97	SPV	.XX	$\pm .03$																																																									
04	REMOVE ITEMS, ADDED CAT NUMBERS	DWF 10/3/95		.XXX	$\pm .005$																																																									
03	REDRAWN TO CURRENT STANDARDS CNM1130053.00	DWF 9/7/95		.XXXX	$\pm .0005$																																																									
<table border="0"> <tr> <td colspan="3">THIS DRAWING IN DESIGN AND DETAIL IS OUR PROPERTY AND MUST NOT BE USED EXCEPT IN CONNECTION WITH OUR WORK ALL RIGHTS OF DESIGN AND INVENTION ARE RESERVED THIS IS AN ELECTRONICALLY GENERATED DOCUMENT - DO NOT SCALE THIS PRINT</td> <td>RFP</td> <td>CAD FILE</td> <td>M1030130</td> <td>SIZE</td> <td>DRAWING NO.</td> <td>REV.</td> </tr> <tr> <td colspan="3"></td> <td>DIST</td> <td></td> <td></td> <td>B</td> <td>M1030130.00</td> <td>08</td> </tr> </table>							THIS DRAWING IN DESIGN AND DETAIL IS OUR PROPERTY AND MUST NOT BE USED EXCEPT IN CONNECTION WITH OUR WORK ALL RIGHTS OF DESIGN AND INVENTION ARE RESERVED THIS IS AN ELECTRONICALLY GENERATED DOCUMENT - DO NOT SCALE THIS PRINT			RFP	CAD FILE	M1030130	SIZE	DRAWING NO.	REV.				DIST			B	M1030130.00	08																																						
THIS DRAWING IN DESIGN AND DETAIL IS OUR PROPERTY AND MUST NOT BE USED EXCEPT IN CONNECTION WITH OUR WORK ALL RIGHTS OF DESIGN AND INVENTION ARE RESERVED THIS IS AN ELECTRONICALLY GENERATED DOCUMENT - DO NOT SCALE THIS PRINT			RFP	CAD FILE	M1030130	SIZE	DRAWING NO.	REV.																																																						
			DIST			B	M1030130.00	08																																																						
<table border="0"> <tr> <td colspan="4">LEESON</td> <td colspan="2">ELECTRIC MOTORS GEARMOTORS AND DRIVES</td> <td>DRAWN</td> <td>PG 10/26/89</td> </tr> <tr> <td colspan="4"></td> <td colspan="2"></td> <td>CHK</td> <td></td> </tr> <tr> <td colspan="4"></td> <td colspan="2"></td> <td>APPD</td> <td>PW 11/1/89</td> </tr> <tr> <td colspan="4"></td> <td colspan="2"></td> <td>SCALE</td> <td>5=8</td> </tr> <tr> <td colspan="4"></td> <td colspan="2"></td> <td>REF</td> <td></td> </tr> <tr> <td colspan="4"></td> <td colspan="2"></td> <td>FMF</td> <td>CM34D17NC5</td> </tr> <tr> <td colspan="4"></td> <td colspan="2"></td> <td>PREV</td> <td></td> </tr> </table>							LEESON				ELECTRIC MOTORS GEARMOTORS AND DRIVES		DRAWN	PG 10/26/89							CHK								APPD	PW 11/1/89							SCALE	5=8							REF								FMF	CM34D17NC5							PREV	
LEESON				ELECTRIC MOTORS GEARMOTORS AND DRIVES		DRAWN	PG 10/26/89																																																							
						CHK																																																								
						APPD	PW 11/1/89																																																							
						SCALE	5=8																																																							
						REF																																																								
						FMF	CM34D17NC5																																																							
						PREV																																																								
<table border="0"> <tr> <td colspan="4"></td> <td colspan="2">TITLE</td> <td colspan="2">OUTLINE</td> </tr> <tr> <td colspan="4"></td> <td colspan="2"></td> <td colspan="2">34 FRAME DC</td> </tr> <tr> <td colspan="4"></td> <td colspan="2">MAT'L</td> <td colspan="2"></td> </tr> </table>											TITLE		OUTLINE								34 FRAME DC						MAT'L																																			
				TITLE		OUTLINE																																																								
						34 FRAME DC																																																								
				MAT'L																																																										

DC MOTORS



EXTERNAL CONNECTIONS FOR CCW ROTATION VIEWING
LEAD END OF MOTOR WITH RED LEAD POSITIVE (+)
AND BLACK LEAD NEGATIVE (-) FOR CW ROTATION
POLARITY

		TOLERANCES UNLESS SPECIFIED		 ELECTRIC MOTORS GEARMOTORS AND DRIVES		DRAWN	PG 10/30/89
		DEC.	INCHES			CHK	
		.X	±.1			APPD	PW 10/31/89
03	REMOVED BARRIERS, NOT NEEDED, ISAAC 10-1959	IPG	5/14/2010	SK	.XX ±.01	TITLE	CONNECTION DIAGRAM
02	CORRECTED "N" & "S" PER ECR 83508	SMB	12/16/03	IPG	.XXX ±.005	SCALE	1=1
01	REDRAWN ON CAD	AJR	06/30/99		.XXXX ±.0005	REF	15008-01-117
NO.	REVISION	BY & DATE	CHK	ANG	±1/2'	MAT'L.	FMF CM31D17NZ1
THIS DRAWING IN DESIGN AND DETAIL IS OUR PROPERTY AND MUST NOT BE USED EXCEPT IN CONNECTION WITH OUR WORK ALL RIGHTS OF DESIGN AND INVENTION ARE RESERVED THIS IS AN ELECTRONICALLY GENERATED DOCUMENT - DO NOT SCALE THIS PRINT		RFP		CAD FILE	M100508401	SIZE	DRAWING NO.
		DIST				A	M1005084.01
							REV. 03