

PRODUCT INFORMATION PACKET



Model No: CM34D17FC2E

Catalog No: M1130055.00

1/4HP.1750RPM.34.TEFC.90V.CONT.40C.1.0SF.56 C FACE.DC SUB-FHP.CM34D17FC2E
Sub-Fractional



Regal and Leeson are trademarks of Regal Beloit Corporation or one of its affiliated companies.

©2018 Regal Beloit Corporation, All Rights Reserved. MC017097E





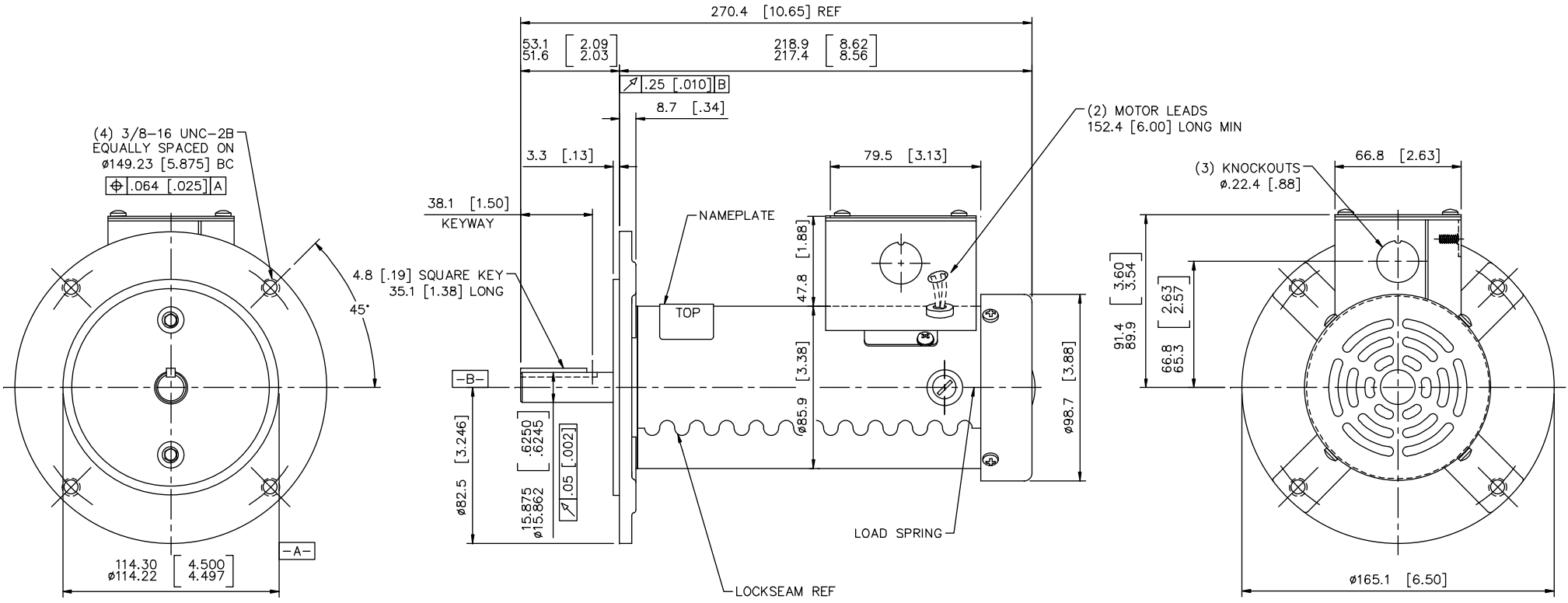
Nameplate Specifications

Output HP	0.25 Hp	Output KW	0.19 kW
Voltage	90 V	Current	2.7 A
Speed	1750 rpm	Service Factor	1
Efficiency	81.5 %	Duty	Continuous
Insulation Class	F	Frame	34
Enclosure	Totally Enclosed Fan Cooled	Overload Protector	No
Ambient Temperature	40 °C	Drive End Bearing Size	6003
Opp Drive End Bearing Size	6201-13	UL	Recognized
CSA	Y	CE	Y

Technical Specifications

Rotation	Reversible	Mounting	Round
Overall Length	10.65 in	Frame Length	7.18 in
Shaft Diameter	0.625 in	Shaft Extension	2.06 in
Outline Drawing	M1030132-M1130055	Connection Diagram	M100508401

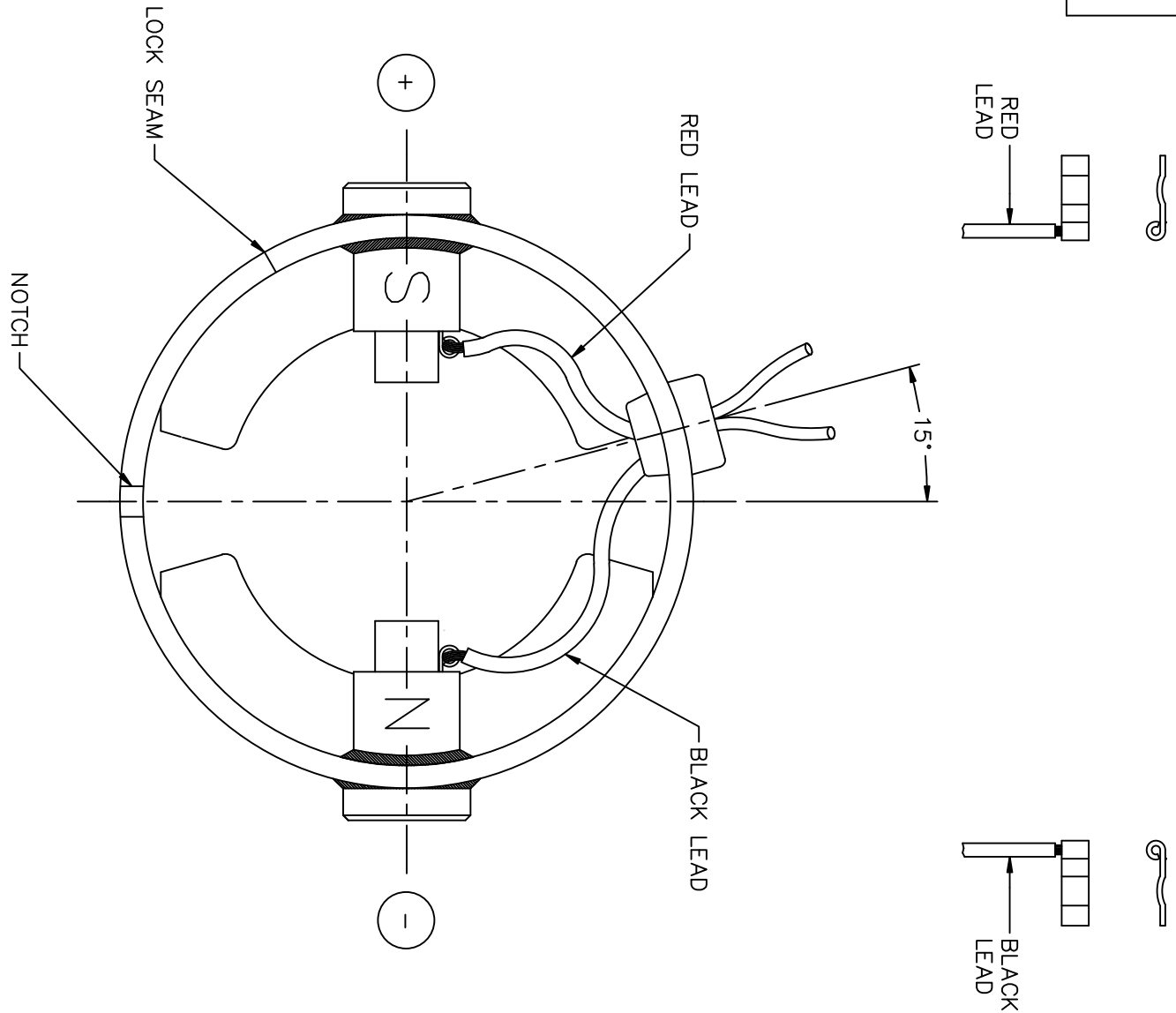
This is an uncontrolled document once printed or downloaded and is subject to change without notice. Date Created: 10/15/2018




CATALOG NO.	VOLTS	HP	RPM
M1130055.00	90	1/4	1750
M1130120.00	180	1/4	1750

NO.	REVISION	BY & DATE	CH'KD.	DATE	IPG	BC	TOLERANCES UNLESS OTHERWISE SPECIFIED	DEC.	INCHES	METRIC	SCALE	TITLE
10	CHNGD KNOCKOUTS FROM "2" TO "3", ECR 84283	VS 8/17/05	BC									OUTLINE 34 FRAME DC
09	CORRECTED GEOMETRIC TOLERANCING	SAD 5/29/01	IPG									
08	CORRECTED SHAFT RUNOUT ECR 73437 AND REDRAWN TO CURRENT STANDARDS	SAD 5/29/01	IPG									DRAWN SPV 10/2/95
07	REVISED WITH NEW FAN & FAN GUARD	SPV 2/10/97	DWF		.XX	±.03	±.76	APPR.				
06	ADDED METRIC DIMENSIONS	SPV 11/27/96	DWF		.XXX	±.005	±.127	R.F.P.				MAT'L.
					.XXXX	±.0005	±.0127	SCALE	1=2			
THIS DRAWING IN DESIGN AND DETAIL IS OUR PROPERTY AND MUST NOT BE USED EXCEPT IN CONNECTION WITH OUR WORK ALL RIGHTS OF DESIGN AND INVENTION ARE RESERVED THIS IS AN ELECTRONICALLY GENERATED DOCUMENT - DO NOT SCALE THIS PRINT							FRACTIONS	±1/64	REF.	M1030138.00	FINISH	STANDARD
							ANGLES	±1/2°	FMF	CM34D17FC2	REV.	
											10	M1030132.00

DC MOTORS



EXTERNAL CONNECTIONS FOR CCW ROTATION VIEWING
 LEAD END OF MOTOR WITH RED LEAD POSITIVE (+)
 AND BLACK LEAD NEGATIVE (-) FOR CW ROTATION
 POLARITY

				TOLERANCES UNLESS SPECIFIED			ELECTRIC MOTORS GEARMOTORS AND DRIVES	DRAWN PG 10/30/89		
				DEC.	INCHES			CHK		
				.X	±.1			APPD PW 10/31/89		
03	REMOVED BARRIERS, NOT NEEDED, ISAAC 10-1959	IPG 5/14/2010	SK	.XX	±.01	TITLE	CONNECTION DIAGRAM	SCALE 1=1		
02	CORRECTED "N" & "S" PER ECR 83508	SMB 12/16/03	IPG	.XXX	±.005			REF 15008-01-117		
01	REDRAWN ON CAD	AJR 06/30/99		.XXXX	±.0005	MAT'L.		FMF CM31D17NZ1		
NO.	REVISION	BY & DATE	CHK	ANG	±1/2"	FINISH		PREV		
THIS DRAWING IN DESIGN AND DETAIL IS OUR PROPERTY AND MUST NOT BE USED EXCEPT IN CONNECTION WITH OUR WORK ALL RIGHTS OF DESIGN AND INVENTION ARE RESERVED THIS IS AN ELECTRONICALLY GENERATED DOCUMENT - DO NOT SCALE THIS PRINT				RFP	CAD FILE		M100508401	SIZE	DRAWING NO.	REV.
				DIST			A	M1005084.01	03	