

PRODUCT INFORMATION PACKET



Model No: CM34D17NC5C
Catalog No: M1130053.00
1/8HP.1750RPM.34.TENV.90V.CONT.40C.1.0SF.42 C FACE.DC SUB-FHP
Sub-Fractional



Regal and Leeson are trademarks of Regal Beloit Corporation or one of its affiliated companies.
©2018 Regal Beloit Corporation, All Rights Reserved. MC017097E





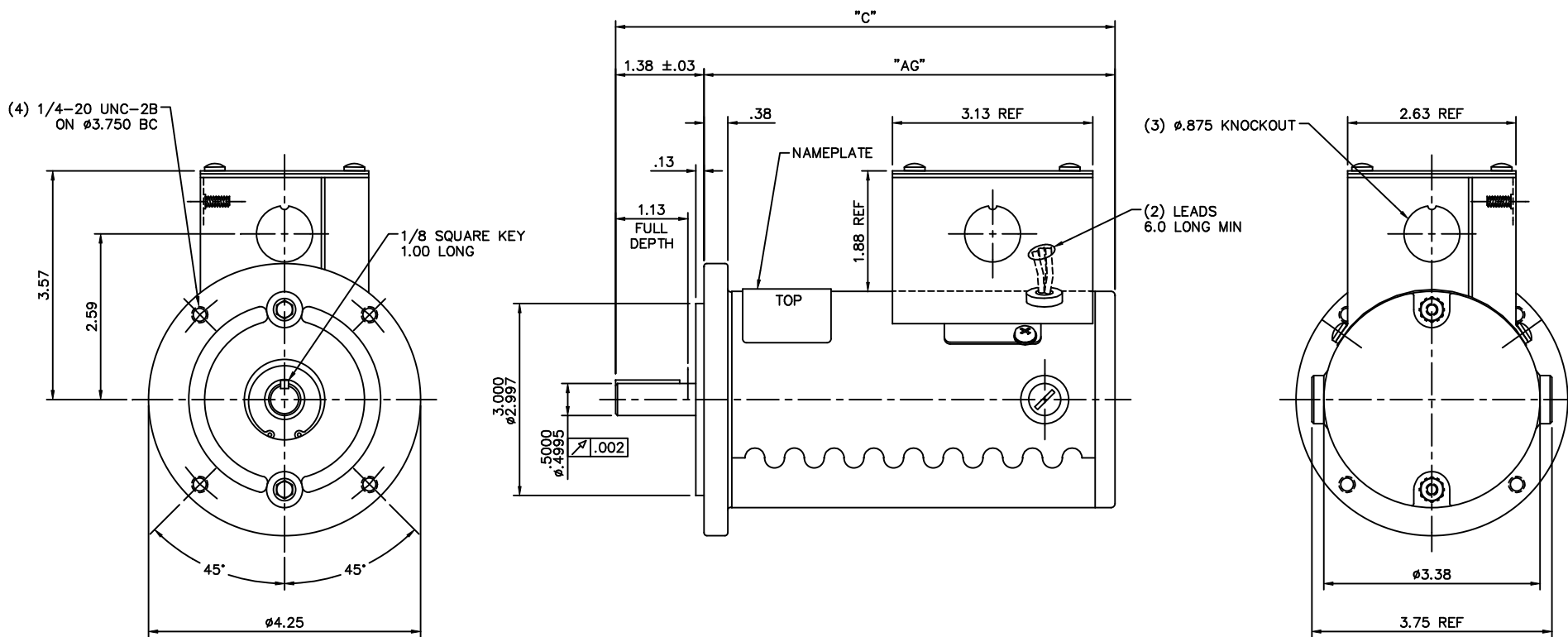
Nameplate Specifications

Output HP	0.13 Hp	Output KW	0.10 kW
Voltage	90 V	Current	1.4 A
Speed	1750 rpm	Service Factor	1
Efficiency	64.3 %	Duty	Continuous
Insulation Class	F	Frame	34
Enclosure	Totally Enclosed Non Ventilated	Overload Protector	No
Ambient Temperature	40 °C	Drive End Bearing Size	6201-13
Opp Drive End Bearing Size	608	UL	Recognized
CSA	Y	CE	Y

Technical Specifications

Rotation	Reversible	Mounting	Round
Overall Length	7.81 in	Frame Length	5.68 in
Shaft Diameter	0.500 in	Shaft Extension	1.38 in
Outline Drawing	M1030130-M1130053	Connection Diagram	M100508401

This is an uncontrolled document once printed or downloaded and is subject to change without notice. Date Created: 10/15/2018



CATALOG NO.	VOLTS	HP	RPM	"C"	"AG"
M1130053.00	90	1/8	1750	7.81	6.43
M1130118.00	180	1/8	1750	7.81	6.43

NO.	REVISION	BY & DATE	CHK	ANG	FINISH	PREV
08	REMOVED TOL. NOTE PER ECR 76063	BPW 08/05/02	SAD	TOLERANCES UNLESS SPECIFIED		
07	REWORKED KNOCKOUT NOTE PER ECR 79956	BPW 04/29/02	SAD	DEC.	INCHES	
06	REDRAWN TO STANDARDS & REMOVED DATUM "B"	SAD 5/2/01	BC	.X	$\pm .1$	
05	MOVED GROUND SCREW TO PROPER LOCATION	SAD 12/16/97	SPV	.XX	$\pm .03$	
04	REMOVE ITEMS, ADDED CAT NUMBERS	DWF 10/3/95		.XXX	$\pm .005$	
03	REDRAWN TO CURRENT STANDARDS CNM1130053.00	DWF 9/7/95		.XXXX	$\pm .0005$	
THIS DRAWING IN DESIGN AND DETAIL IS OUR PROPERTY AND MUST NOT BE USED EXCEPT IN CONNECTION WITH OUR WORK ALL RIGHTS OF DESIGN AND INVENTION ARE RESERVED THIS IS AN ELECTRONICALLY GENERATED DOCUMENT - DO NOT SCALE THIS PRINT						
CAD FILE						M1030130
SIZE						B
DRAWING NO.						M1030130.00
REV.						08

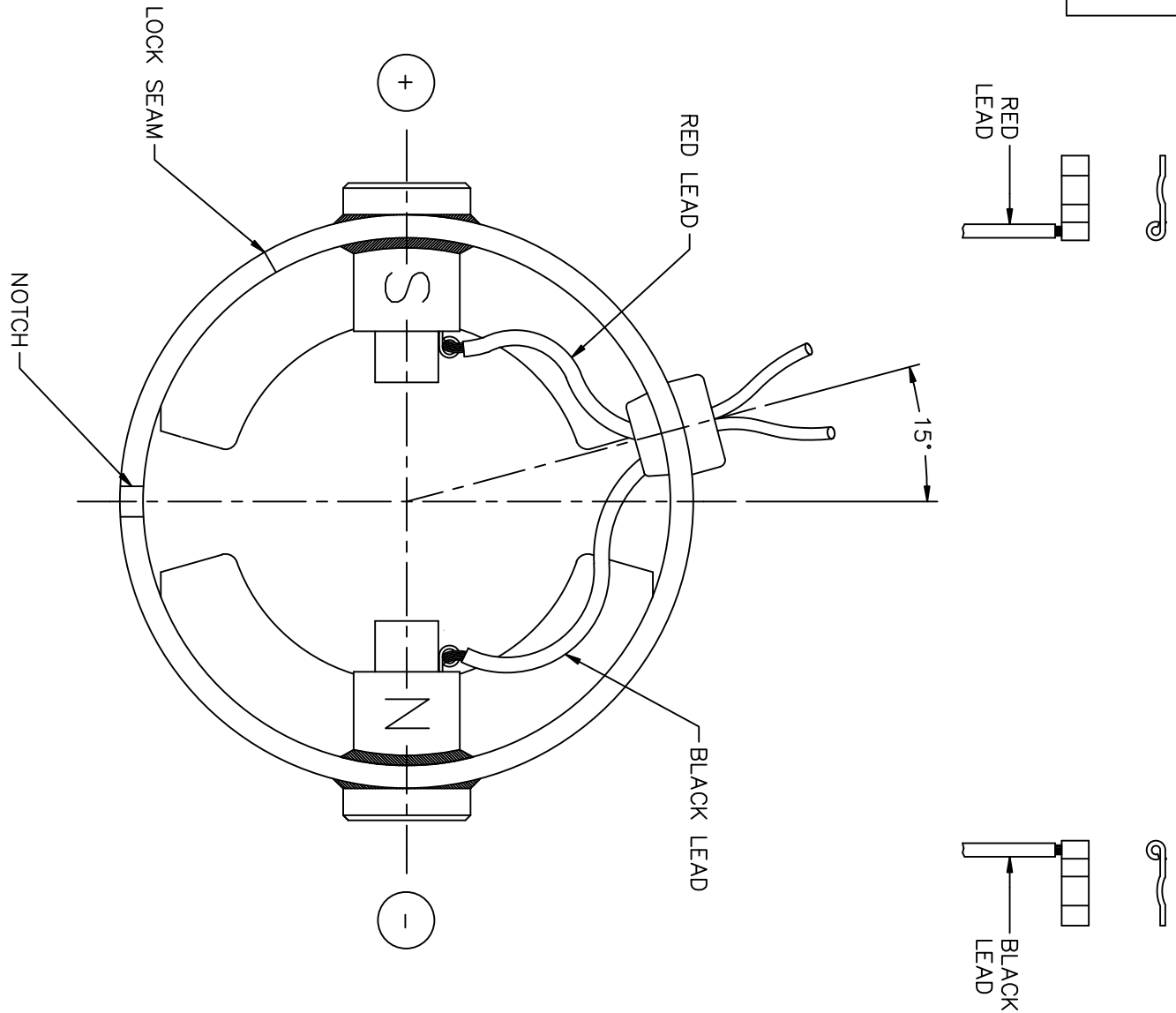


ELECTRIC MOTORS
GEARMOTORS
AND DRIVES

TITLE
OUTLINE
34 FRAME DC

DRAWN PG 10/26/89
CHK
APPD PW 11/1/89
SCALE 5=8
REF
FMF CM34D17NC5
PREV

DC MOTORS



EXTERNAL CONNECTIONS FOR CCW ROTATION VIEWING
LEAD END OF MOTOR WITH RED LEAD POSITIVE (+)
AND BLACK LEAD NEGATIVE (-) FOR CW ROTATION
POLARITY

				TOLERANCES UNLESS SPECIFIED		LEESON ELECTRIC MOTORS GEARMOTORS AND DRIVES	DRAWN PG 10/30/89		
				DEC.	INCHES		CHK		
				.X	±.1		APPD PW 10/31/89		
03	REMOVED BARRIERS, NOT NEEDED, ISAAC 10-1959	IPG 5/14/2010	SK	.XX	±.01	TITLE CONNECTION DIAGRAM	SCALE 1=1		
02	CORRECTED "N" & "S" PER ECR 83508	SMB 12/16/03	IPG	.XXX	±.005		REF 15008-01-117		
01	REDRAWN ON CAD	AJR 06/30/99		.XXXX	±.0005	MAT'L.	FMF CM31D17NZ1		
NO.	REVISION	BY & DATE	CHK	ANG	±1/2"	FINISH	PREV		
THIS DRAWING IN DESIGN AND DETAIL IS OUR PROPERTY AND MUST NOT BE USED EXCEPT IN CONNECTION WITH OUR WORK ALL RIGHTS OF DESIGN AND INVENTION ARE RESERVED THIS IS AN ELECTRONICALLY GENERATED DOCUMENT - DO NOT SCALE THIS PRINT				RFP	CAD FILE	M100508401	SIZE	DRAWING NO.	REV.
				DIST			A	M1005084.01	03