

# PRODUCT INFORMATION PACKET



Model No: CM31T17NZ29A

Catalog No: M1125285.00

PZ...6:1.283RPM.12LBIN.1/15HP.31...INVERTER RATED./208-230V.3PH.60HZ.TENV.CM31T17NZ29A  
PZ Series



Regal and Leeson are trademarks of Regal Beloit Corporation or one of its affiliated companies.

©2018 Regal Beloit Corporation, All Rights Reserved. MC017097E





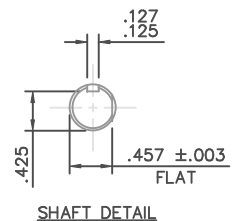
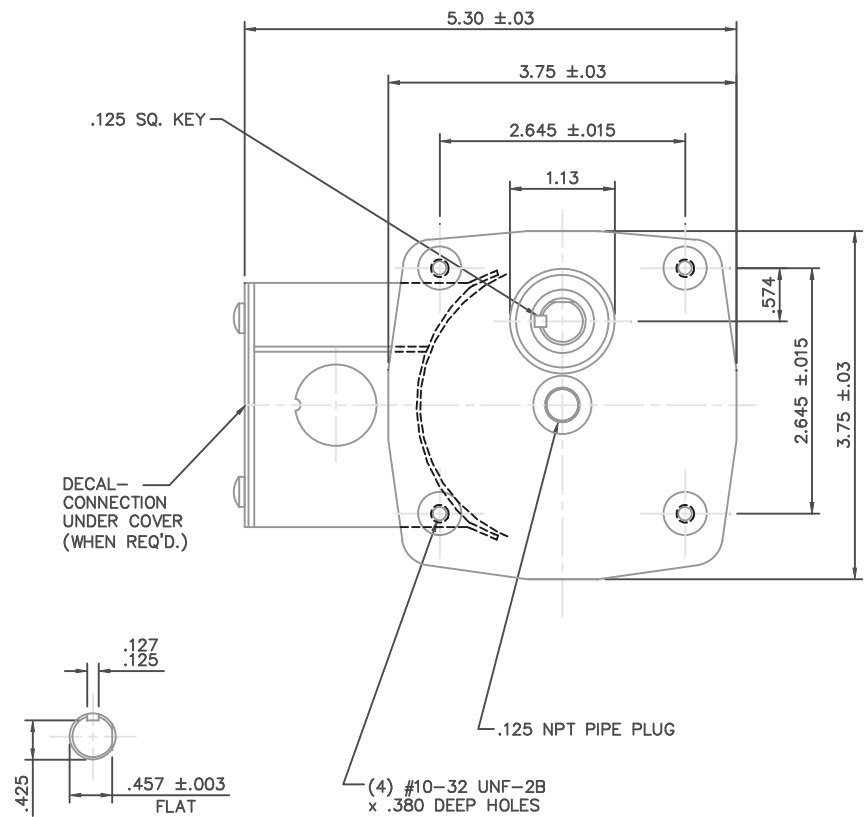
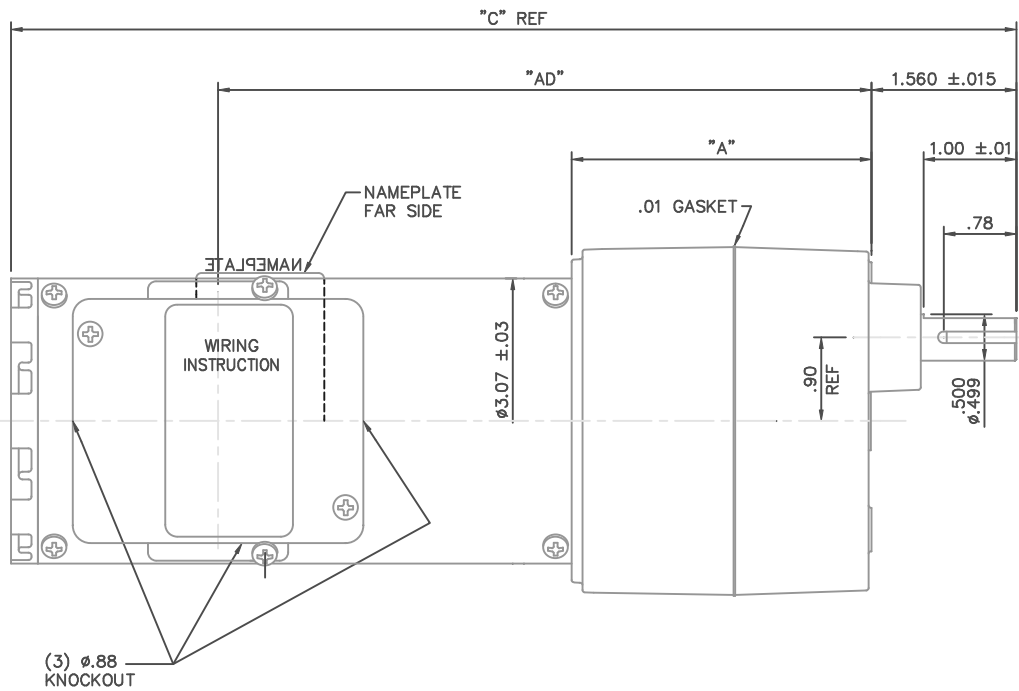
### Nameplate Specifications

Output HP	<b>0.07 Hp</b>	Output KW	<b>0.05 kW</b>
Frequency	<b>60 Hz</b>	Voltage	<b>208-230 V</b>
Current	<b>0.40 A</b>	Speed	<b>283 rpm</b>
Service Factor	<b>1</b>	Phase	<b>3</b>
Duty	<b>Continuous</b>	Insulation Class	<b>F</b>
KVA Code	<b>H</b>	Frame	<b>31</b>
Enclosure	<b>Totally Enclosed Non Ventilated</b>	Overload Protector	<b>No</b>
Ambient Temperature	<b>40 °C</b>	Drive End Bearing Size	<b>6000</b>
Opp Drive End Bearing Size	<b>R6</b>	UL	<b>Recognized</b>
CSA	<b>Y</b>	CE	<b>N</b>

### Technical Specifications

Rotation	<b>Reversible</b>	Mounting	<b>Special</b>
Shaft Type	<b>Parallel</b>	Overall Length	<b>9.73 in</b>
Frame Length	<b>5.75 in</b>	Shaft Diameter	<b>0.500 in</b>
Shaft Extension	<b>1 in</b>		
Outline Drawing	<b>M1031002-M1125285</b>	Connection Diagram	<b>005102.01</b>

**This is an uncontrolled document once printed or downloaded and is subject to change without notice. Date Created: 10/15/2018**



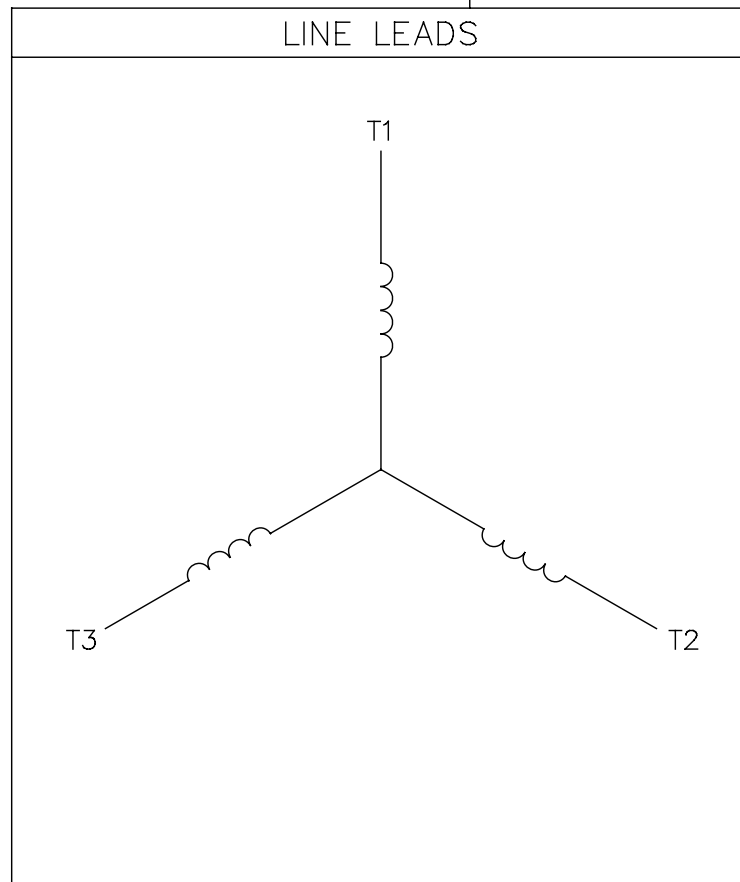
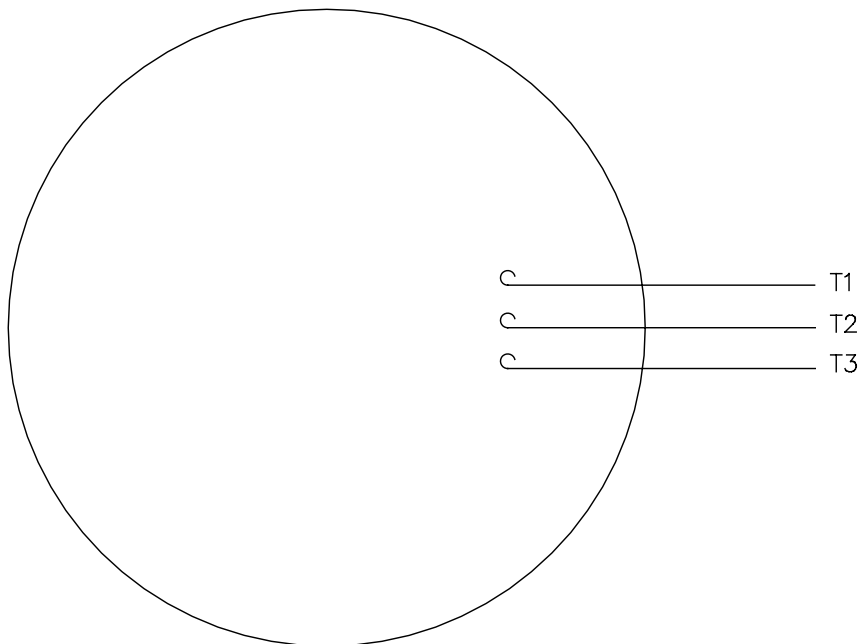
CATALOG NUMBER	OUTPUT RPM	FULL LOAD TORQUE LB.-IN.	INPUT HP	OVERHUNG LOAD LBS.	RATIO TO 1	"C"	"AD"	"A"
M1125282.00	19	100	1/15	155	90	10.83	7.00	3.23
M1125283.00	57	56	1/15	155	30	10.03	6.24	2.43
M1125284.00	142	24	1/15	155	12	9.73	5.94	2.13
M1125285.00	283	12	1/15	155	6	9.73	5.94	2.13

NOTES:  
 1- ALL GEARING IS STEEL IN COMPOSITION.  
 2- GEARING IS OF AGMA #8 QUALITY OR BETTER.

NO.	REVISION	BY & DATE	CHK	ANG	TOLERANCES UNLESS SPECIFIED		TITLE	DRAWN	LST				
					DEC.	INCHES							
03	ADD "A" TO TABLE PER ISAAC 08-3733	LST 8/15/08		.X	±.1		ELECTRIC MOTORS GEARMOTORS AND DRIVES	APPD	KH 6/22/05				
02	MIRRORED CONDUIT BOX MOUNTING SCREWS TO SHOW	KLS 12/19/05	RDW	.XX	±.03	OUTLINE- 31 FRAME AC TENV- PZ GEARBOX		SCALE	3=4				
	CORRECT ORIENTATION OF BOX; ECR 85528			.XXX	±.005			REF	PR040177				
01	ADDED PERFORMANCE ATTRIBUTES TABLE	RLW 7/7/05		.XXXX	±.0005	MAT'L		FMF					
THIS DRAWING IN DESIGN AND DETAIL IS OUR PROPERTY AND MUST NOT BE USED EXCEPT IN CONNECTION WITH OUR WORK ALL RIGHTS OF DESIGN AND INVENTION ARE RESERVED THIS IS AN ELECTRONICALLY GENERATED DOCUMENT - DO NOT SCALE THIS PRINT								RFP	CAD FILE	M1031002	SIZE	DRAWING NO.	REV.
								DIST			B	M1031002	03

005102-01

VIEW FROM OUTSIDE OF MOTOR AT SWITCH END.



CONNECT LEADS AS FOLLOWS  
FOR FOUR CONDUCTOR CORD ( )

CORD	L1 (RED)	L2 (WHITE)	L3 (BLACK)	(GREEN)
MOTOR	T1	T2	T3	GROUND

				TOLERANCES UNLESS SPECIFIED		<b>Regal Beloit America, Inc.</b>		DRAWN JRW 9/11/75		
				DEC.	INCHES			CHK		
				.X	±.1	<b>EXTERNAL WIRING DIAGRAM TYPE "T" W/O PROTECTOR</b>		APPD JCW 9/11/75		
08	UPDATED TO REGAL LOGO	SAJ 06/26/15	AJY	.XX	±.01			SCALE 1=1		
07	UPDATED TO CURRENT STANDARDS	DBT 5/30/97		.XXX	±.005			REF W-T6343-6		
06	REDRAWN ON CAD; ADDED DECAL NUMBER	SAW 1/24/95		.XXXX	±.0005			FMF 6T17FB7		
NO.	REVISION	BY & DATE	CHK	ANG	±1/2"	FINISH		PREV		
THIS DRAWING IN DESIGN AND DETAIL IS OUR PROPERTY AND MUST NOT BE USED EXCEPT IN CONNECTION WITH OUR WORK ALL RIGHTS OF DESIGN AND INVENTION ARE RESERVED THIS IS AN ELECTRONICALLY GENERATED DOCUMENT - DO NOT SCALE THIS PRINT				RFP 5/1/02		CAD FILE 00510201		SIZE	DRAWING NO.	
				DIST BRF-NLV				A	005102-01	