

PRODUCT INFORMATION PACKET



Model No: CM32D25VZ10B

Catalog No: M1125281.00

13.RT ANGLE.1.3CD.20:1.125RPM.90LBIN.1/4HP.32.LEFT..WASHGUARD.12V.DC.TENV.CM32D25VZ10B
Washguard



Regal and Leeson are trademarks of Regal Beloit Corporation or one of its affiliated companies.

©2018 Regal Beloit Corporation, All Rights Reserved. MC017097E





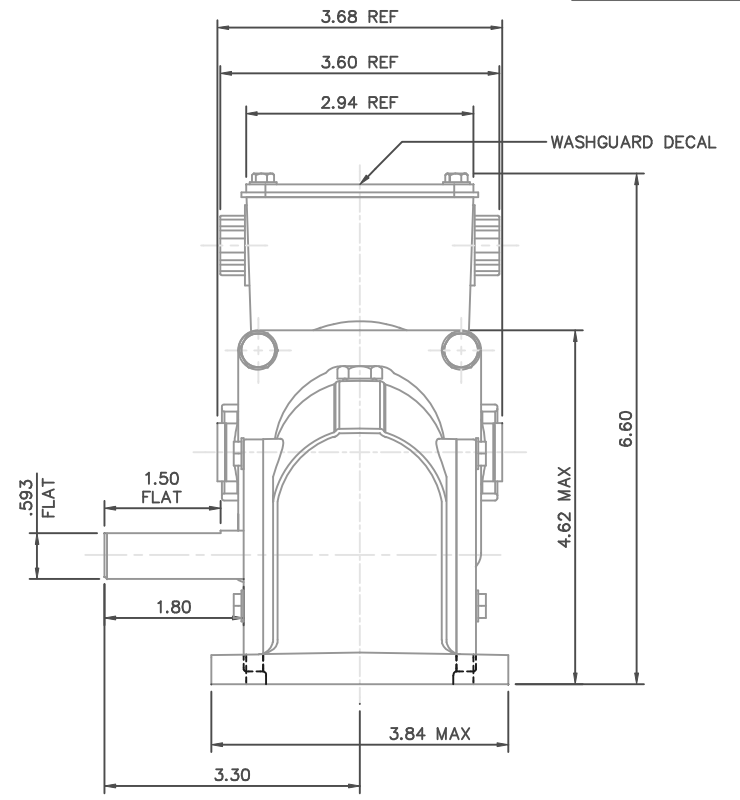
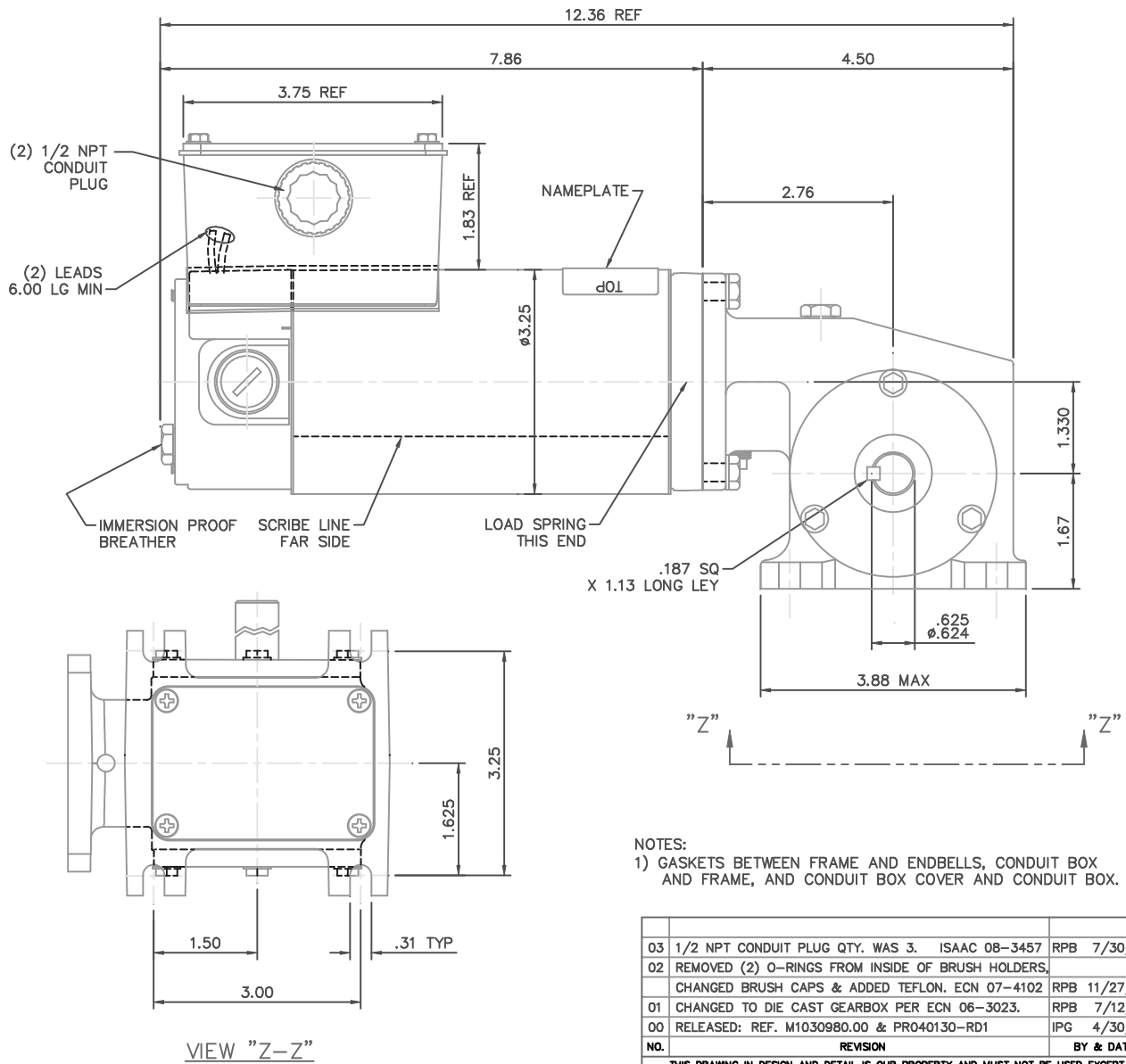
Nameplate Specifications

Output HP	0.25 Hp	Output KW	0.19 kW
Voltage	12 V	Current	28.0 A
Speed	125 rpm	Service Factor	1
Efficiency	36.6 %	Duty	Continuous
Insulation Class	F	Frame	32
Enclosure	Totally Enclosed Non Ventilated	Overload Protector	No
Ambient Temperature	40 °C	Drive End Bearing Size	6201
Opp Drive End Bearing Size	6201	UL	Recognized
CSA	Y	CE	N

Technical Specifications

Rotation	Reversible	Mounting	Special
Shaft Type	Right Angle	Overall Length	12.36 in
Frame Length	5.44 in	Shaft Diameter	0.625 in
Shaft Extension	1.8 in		
Outline Drawing	M1030981-M1125281	Connection Diagram	M100530801

This is an uncontrolled document once printed or downloaded and is subject to change without notice. Date Created: 10/15/2018



NOTES:
 1) GASKETS BETWEEN FRAME AND ENDBELLS, CONDUIT BOX AND FRAME, AND CONDUIT BOX COVER AND CONDUIT BOX.

CATALOG NUMBER	SPEED RANGE RPM	FULL LOAD TORQUE LB.-IN.	INPUT HP	OVERHUNG LOAD LBS.	RATIO TO 1
M1125280.00	62-1	135	1/4	235	40
M1125281.00	125-2.1	90	1/4	235	20

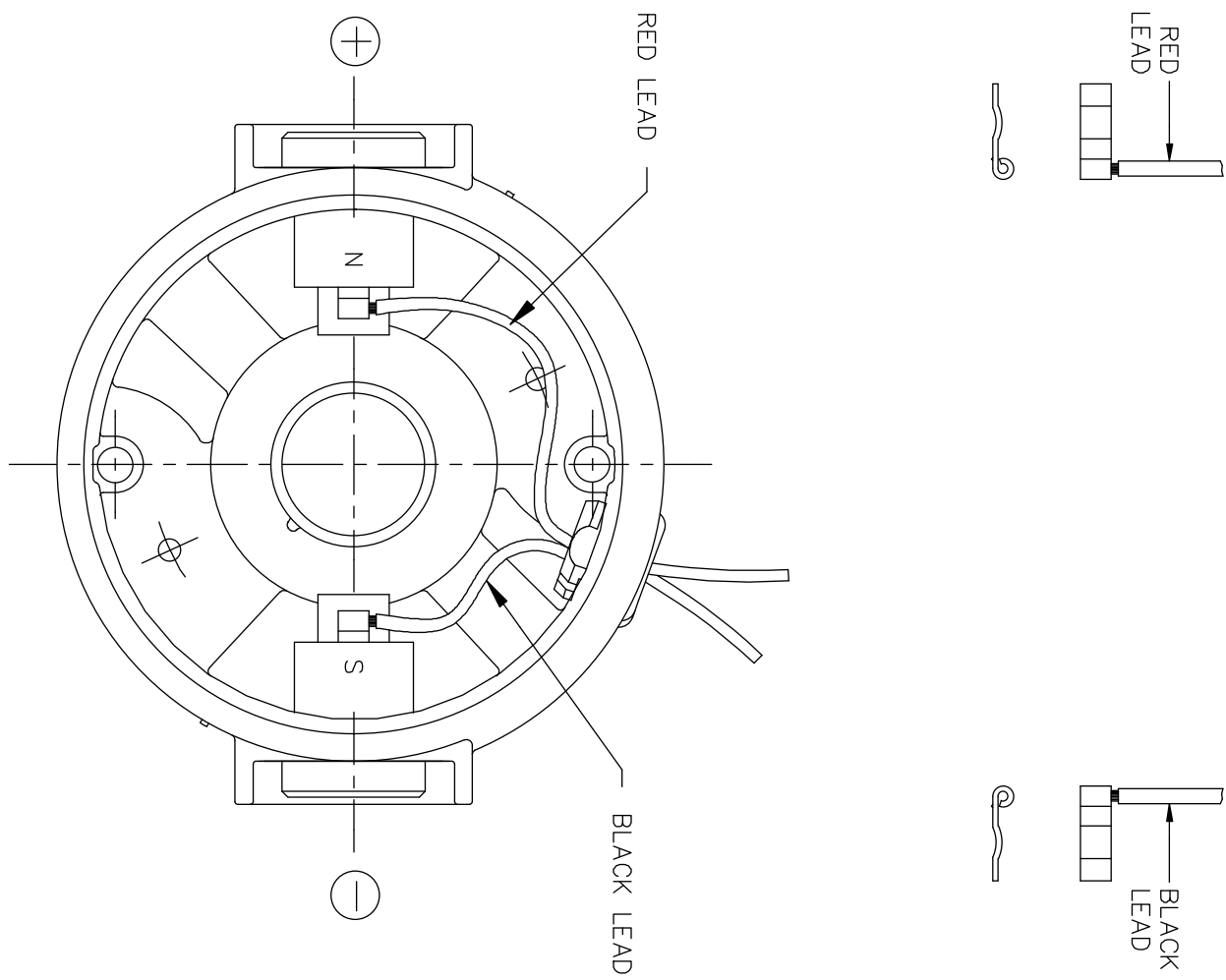
VIEW "Z-Z"

REVISION		BY & DATE	CHK	ANG	FINISH	PREV
03	1/2 NPT CONDUIT PLUG QTY. WAS 3. ISAAC 08-3457	RPB 7/30/08	BC	DEC.	INCHES	
02	REMOVED (2) O-RINGS FROM INSIDE OF BRUSH HOLDERS.			.X	±.1	
	CHANGED BRUSH CAPS & ADDED TEFLON. ECN 07-4102	RPB 11/27/07	BC	.XX	±.03	
01	CHANGED TO DIE CAST GEARBOX PER ECN 06-3023.	RPB 7/12/06	BC	.XXX	±.005	
00	RELEASED: REF. M1030980.00 & PRO40130-RD1	IPG 4/30/05	SAD	.XXXX	±.0005	


TO DIMENSIONS UNLESS SPECIFIED LEESON ELECTRIC MOTORS GEARMOTORS AND DRIVES DRAWN IPG 4/30/05 CHK SAD 4/30/05 APPD SCALE 5=8 REF M1030980.00 FMF M1125280.00 PREV		TITLE OUTLINE - 32 FRAME DC 13 SERIES 12V GEARMOTOR	SIZE B DRAWING NO. M1030981.00 REV. 03
---	--	---	--

THIS DRAWING IN DESIGN AND DETAIL IS OUR PROPERTY AND MUST NOT BE USED EXCEPT IN CONNECTION WITH OUR WORK. ALL RIGHTS OF DESIGN AND INVENTION ARE RESERVED. THIS IS AN ELECTRONICALLY GENERATED DOCUMENT - DO NOT SCALE THIS PRINT

D.C. MOTORS



EXTERNAL CONNECTIONS FOR CW ROTATION
 VIEWING LEAD END OF MOTOR WITH RED LEAD
 POSITIVE (+) AND BLACK LEAD NEGATIVE (-)
 FOR CCW ROTATION REVERSE POLARITY

		TOLERANCES UNLESS SPECIFIED		 ELECTRIC MOTORS GEARMOTORS AND DRIVES		DRAWN IPG 4/8/05			
		DEC.	INCHES			CHK	SAD 4/8/05		
		.X	±.1			APPD			
		.XX	±.01	TITLE CONNECTION DIAGRAM		SCALE	1=1		
		.XXX	±.005			REF	PR040117-RD1		
00	RELEASED: REF. PR040117-RD1	IPG	4/8/05	SAD	.XXXX ±.0005	MAT'L.	FMF M1120085.00		
NO.	REVISION	BY & DATE	CHK	ANG	±1/2'	FINISH	PREV		
THIS DRAWING IN DESIGN AND DETAIL IS OUR PROPERTY AND MUST NOT BE USED EXCEPT IN CONNECTION WITH OUR WORK ALL RIGHTS OF DESIGN AND INVENTION ARE RESERVED THIS IS AN ELECTRONICALLY GENERATED DOCUMENT - DO NOT SCALE THIS PRINT				RFP	CAD FILE	M100530801	SIZE	DRAWING NO.	REV.
				DIST			A	M1005308.01	00