

PRODUCT INFORMATION PACKET



Model No: CM32D25VZ8A

Catalog No: M1125279.00

13.RT ANGLE.1.3CD.10:1.250RPM.50LBIN.1/4HP.32.LEFT..WASHGUARD.90V.DC.TENV.CM32D25VZ8A
Washguard



Regal and Leeson are trademarks of Regal Beloit Corporation or one of its affiliated companies.

©2018 Regal Beloit Corporation, All Rights Reserved. MC017097E





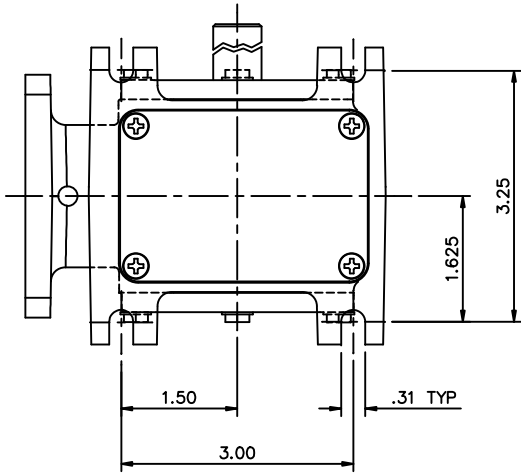
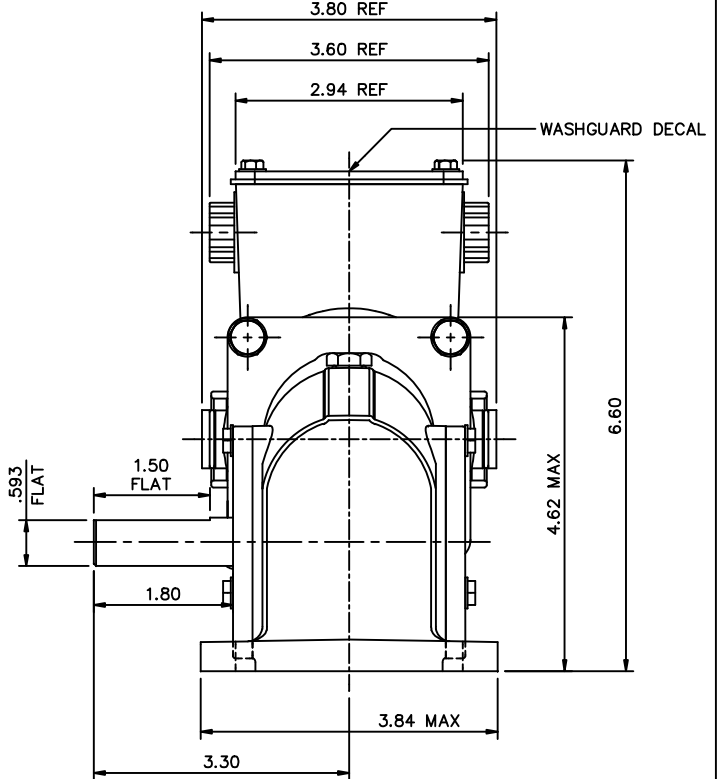
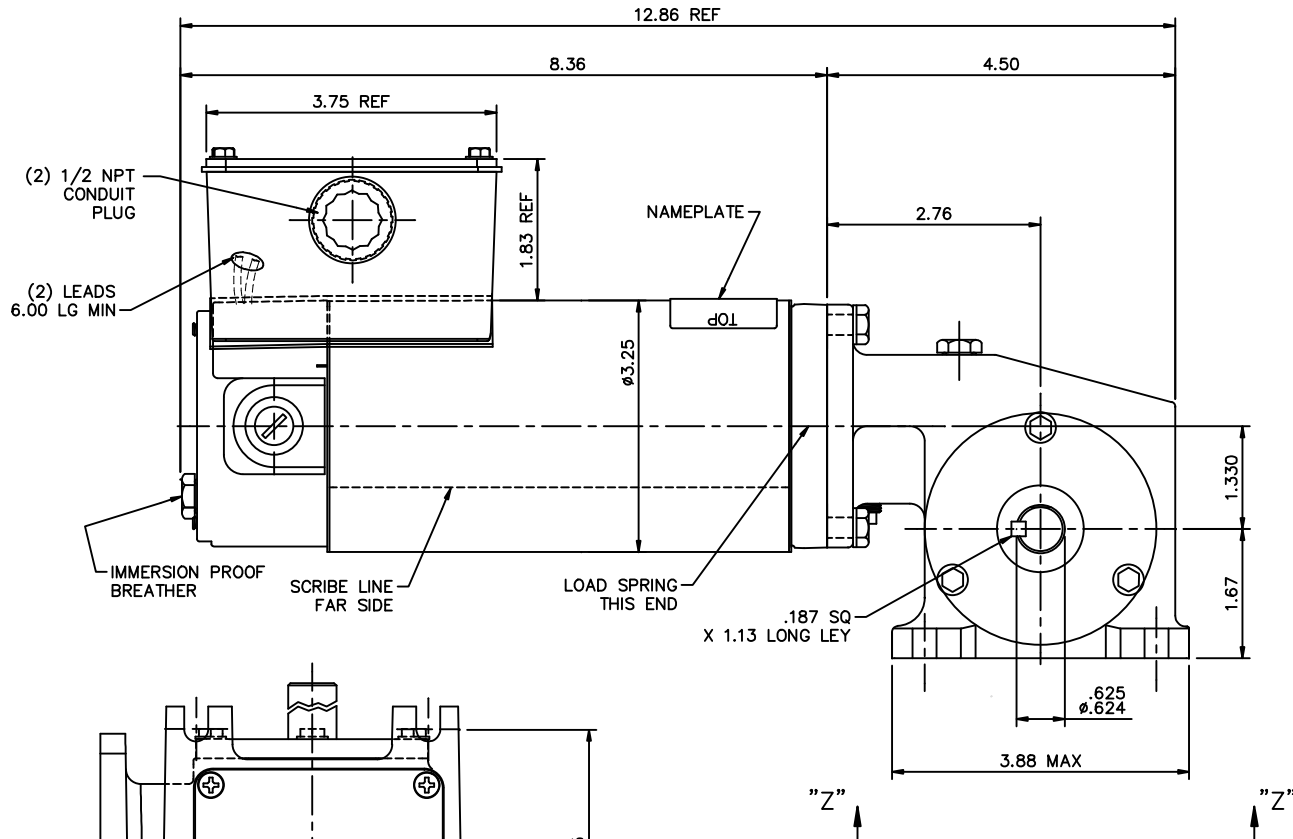
Nameplate Specifications

Output HP	0.25 Hp	Output KW	0.19 kW
Voltage	90 V	Current	3.7 A
Speed	250 rpm	Service Factor	1
Efficiency	45.1 %	Duty	Continuous
Insulation Class	F	Frame	32
Enclosure	Totally Enclosed Non Ventilated	Overload Protector	No
Ambient Temperature	40 °C	Drive End Bearing Size	6201
Opp Drive End Bearing Size	6201	UL	Recognized
CSA	Y	CE	Y

Technical Specifications

Rotation	Reversible	Mounting	Special
Shaft Type	Right Angle	Overall Length	12.86 in
Frame Length	5.94 in	Shaft Diameter	0.625 in
Shaft Extension	1.8 in		
Outline Drawing	M1030980-M1125279	Connection Diagram	M100530801

This is an uncontrolled document once printed or downloaded and is subject to change without notice. Date Created: 10/15/2018



VIEW "Z-Z"

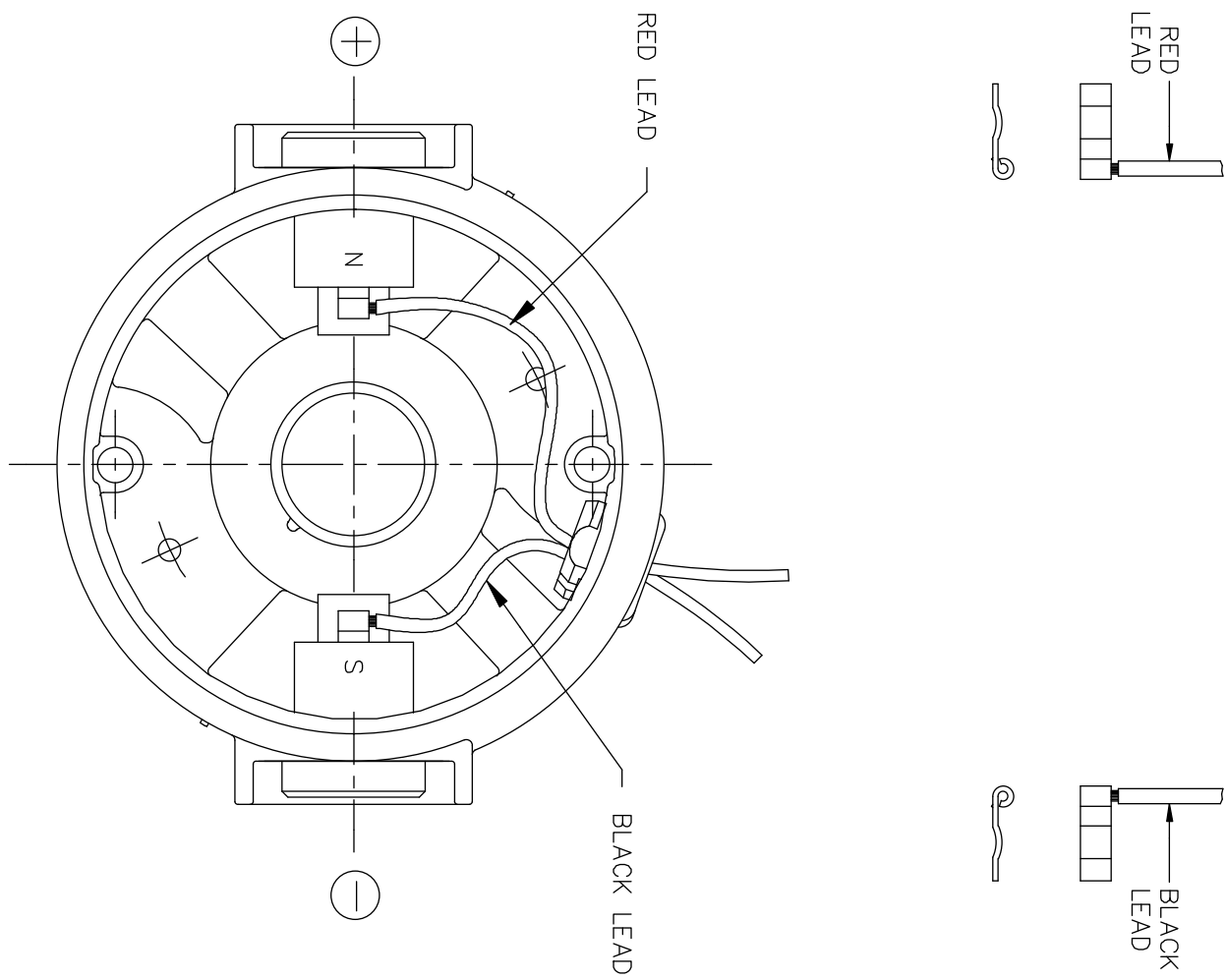
NOTES:

- 1) GASKETS BETWEEN FRAME AND ENDBELLS, CONDUIT BOX AND FRAME, AND CONDUIT BOX COVER AND CONDUIT BOX.


CATALOG NUMBER	SPEED RANGE RPM	FULL LOAD TORQUE LB.-IN.	INPUT HP	OVERHUNG LOAD LBS.	RATIO TO 1
M1125277.00	62-1	135	1/4	235	40
M1125278.00	125-2.1	90	1/4	235	20
M1125279.00	250-4	50	1/4	235	10

				TOLERANCES UNLESS SPECIFIED		LEESON	ELECTRIC MOTORS GEARMOTORS AND DRIVES	DRAWN IPG 4/29/05	
NO.	REVISION	BY & DATE	CHK	ANG	±			SCALE	5=8
03	1/2 NPT CONDUIT PLUG QTY. WAS 3. ISAAC 08-3457	RPB 7/30/08	BC	.X	±.1	TITLE	OUTLINE - 32 FRAME DC 13 SERIES 90V GEARMOTOR	CHK	SAD 4/29/05
02	CHANGED TO DIE CAST GEARBOX PER ECN 06-3023.	RPB 7/11/06	BC	.XX	±.03			APPD	
01	ADDED ITEMS M1125278.00 & M1125279.00 TO TABLE	IPG 4/29/05	SAD	.XXX	±.005			SCALE	5=8
00	RELEASED: REF. PRO40129-RD1	IPG 4/29/05	SAD	.XXXX	±.0005			REF	PRO40129-RD1
							MAT'L	FMF	M1125277.00
							FINISH	PREV	
THIS DRAWING IN DESIGN AND DETAIL IS OUR PROPERTY AND MUST NOT BE USED EXCEPT IN CONNECTION WITH OUR WORK ALL RIGHTS OF DESIGN AND INVENTION ARE RESERVED THIS IS AN ELECTRONICALLY GENERATED DOCUMENT - DO NOT SCALE THIS PRINT							RFP	CAD FILE	M1030980
							DIST	SIZE	B
							DRAWING NO.	M1030980	
							REV.	03	

D.C. MOTORS



EXTERNAL CONNECTIONS FOR CW ROTATION
 VIEWING LEAD END OF MOTOR WITH RED LEAD
 POSITIVE (+) AND BLACK LEAD NEGATIVE (-)
 FOR CCW ROTATION REVERSE POLARITY

		TOLERANCES UNLESS SPECIFIED		 ELECTRIC MOTORS GEARMOTORS AND DRIVES		DRAWN IPG 4/8/05				
		DEC.	INCHES			CHK	SAD 4/8/05			
		.X	±.1			APPD				
		.XX	±.01			SCALE 1=1				
		.XXX	±.005			REF PR040117-RD1				
00	RELEASED: REF. PR040117-RD1	IPG	4/8/05	SAD	.XXXX ±.0005	MAT'L.				
NO.	REVISION	BY & DATE	CHK	ANG	±1/2'	FINISH				
THIS DRAWING IN DESIGN AND DETAIL IS OUR PROPERTY AND MUST NOT BE USED EXCEPT IN CONNECTION WITH OUR WORK ALL RIGHTS OF DESIGN AND INVENTION ARE RESERVED THIS IS AN ELECTRONICALLY GENERATED DOCUMENT - DO NOT SCALE THIS PRINT				RFP		CAD FILE	M100530801	SIZE	DRAWING NO.	REV.
				DIST				A	M1005308.01	00