

PRODUCT INFORMATION PACKET



Model No: CM32D25VZ7A

Catalog No: M1125278.00

13.RT ANGLE.1.3CD.20:1.125RPM.90LBIN.1/4HP.32.LEFT..WASHGUARD.90V.DC.TENV.CM32D25VZ7A
Washguard



Regal and Leeson are trademarks of Regal Beloit Corporation or one of its affiliated companies.

©2018 Regal Beloit Corporation, All Rights Reserved. MC017097E





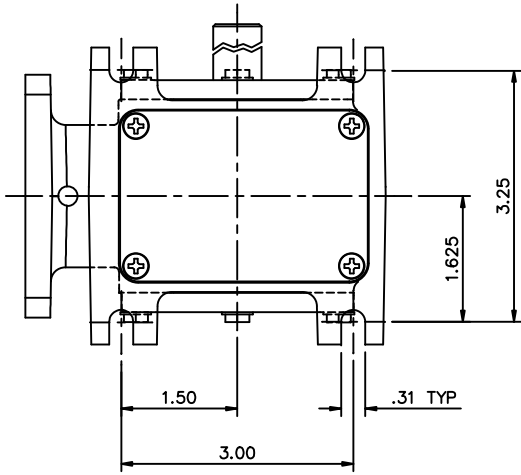
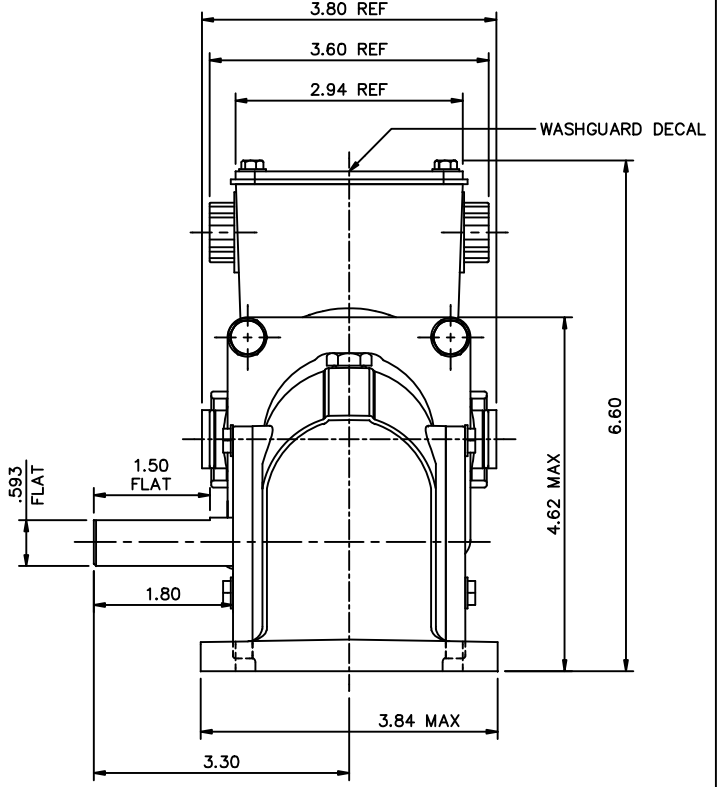
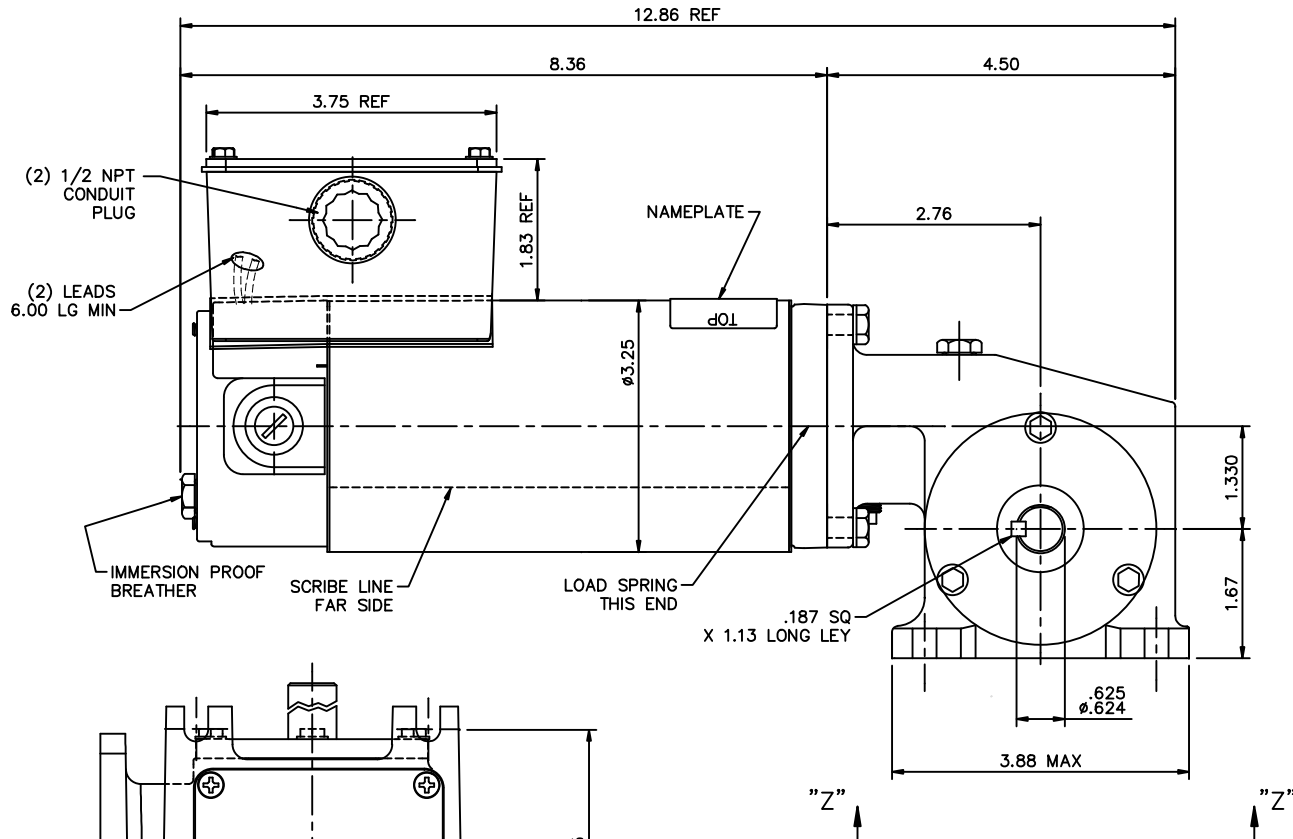
Nameplate Specifications

Output HP	0.25 Hp	Output KW	0.19 kW
Voltage	90 V	Current	3.8 A
Speed	125 rpm	Service Factor	1
Efficiency	40 %	Duty	Continuous
Insulation Class	F	Frame	32
Enclosure	Totally Enclosed Non Ventilated	Overload Protector	No
Ambient Temperature	40 °C	Drive End Bearing Size	6201
Opp Drive End Bearing Size	6201	UL	Recognized
CSA	Y	CE	Y

Technical Specifications

Rotation	Reversible	Mounting	Special
Shaft Type	Right Angle	Overall Length	12.86 in
Frame Length	5.94 in	Shaft Diameter	0.625 in
Shaft Extension	1.8 in		
Outline Drawing	M1030980-M1125278	Connection Diagram	M100530801

This is an uncontrolled document once printed or downloaded and is subject to change without notice. Date Created: 10/15/2018



VIEW "Z-Z"

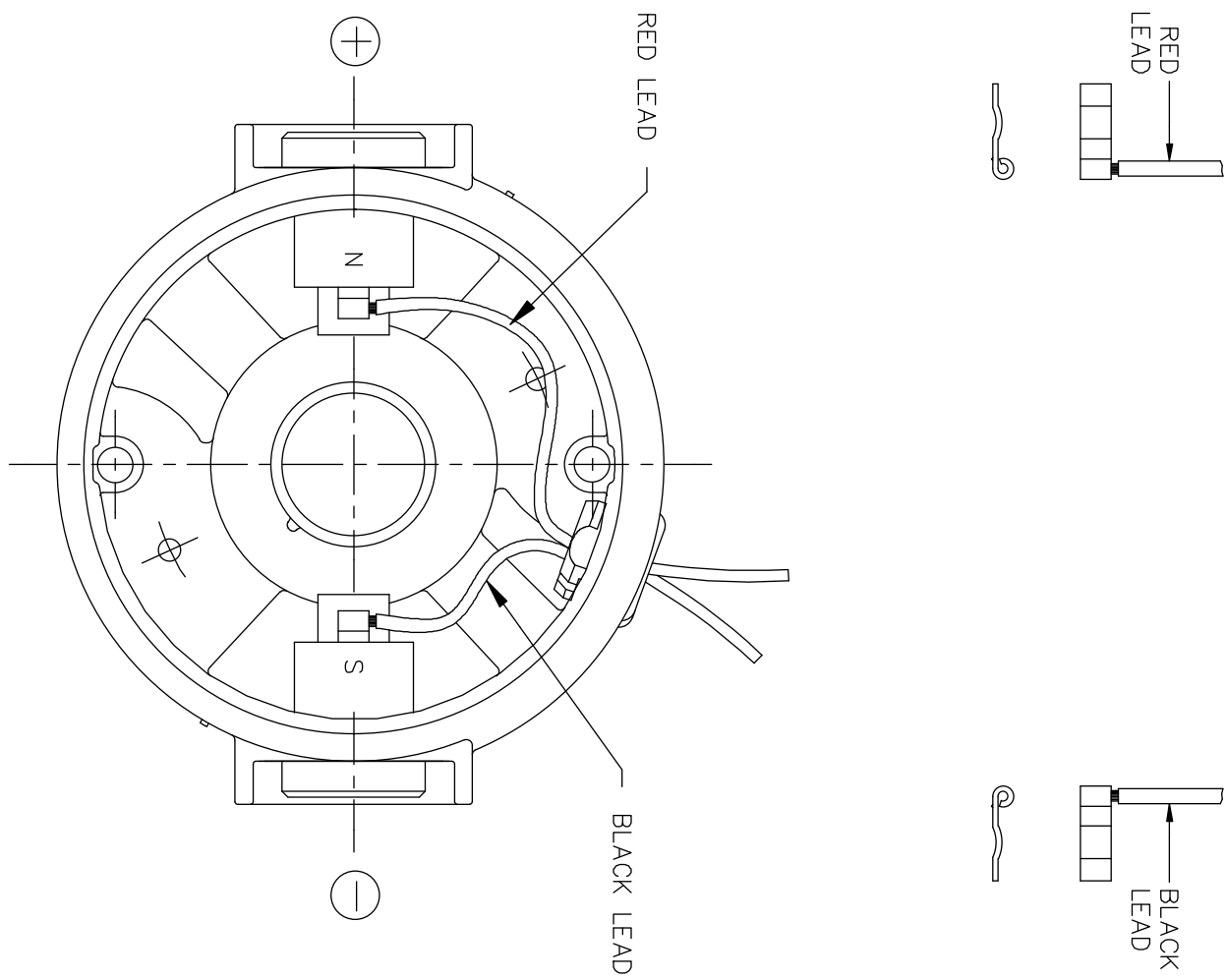
NOTES:

- 1) GASKETS BETWEEN FRAME AND ENDBELLS, CONDUIT BOX AND FRAME, AND CONDUIT BOX COVER AND CONDUIT BOX.


CATALOG NUMBER	SPEED RANGE RPM	FULL LOAD TORQUE LB.-IN.	INPUT HP	OVERHUNG LOAD LBS.	RATIO TO 1
M1125277.00	62-1	135	1/4	235	40
M1125278.00	125-2.1	90	1/4	235	20
M1125279.00	250-4	50	1/4	235	10

				TOLERANCES UNLESS SPECIFIED		LEESON ELECTRIC MOTORS GEARMOTORS AND DRIVES		DRAWN IPG 4/29/05		
				DEC.	INCHES			CHK SAD 4/29/05		
03	1/2 NPT CONDUIT PLUG QTY. WAS 3. ISAAC 08-3457	RPB	7/30/08	BC	.X	±.1	TITLE	APPD		
02	CHANGED TO DIE CAST GEARBOX PER ECN 06-3023.	RPB	7/11/06	BC	.XX	±.03		SCALE 5=8		
01	ADDED ITEMS M1125278.00 & M1125279.00 TO TABLE	IPG	4/29/05	SAD	.XXX	±.005		REF PRO40129-RD1		
00	RELEASED: REF. PRO40129-RD1	IPG	4/29/05	SAD	.XXXX	±.0005		FMF M1125277.00		
NO.	REVISION	BY & DATE		CHK	ANG	±1/2"	MAT'L	FINISH	PREV	
THIS DRAWING IN DESIGN AND DETAIL IS OUR PROPERTY AND MUST NOT BE USED EXCEPT IN CONNECTION WITH OUR WORK ALL RIGHTS OF DESIGN AND INVENTION ARE RESERVED THIS IS AN ELECTRONICALLY GENERATED DOCUMENT - DO NOT SCALE THIS PRINT										
				RFP	CAD FILE M1030980			SIZE B	DRAWING NO. M1030980	REV. 03
				DIST						

D.C. MOTORS



EXTERNAL CONNECTIONS FOR CW ROTATION
 VIEWING LEAD END OF MOTOR WITH RED LEAD
 POSITIVE (+) AND BLACK LEAD NEGATIVE (-)
 FOR CCW ROTATION REVERSE POLARITY

				TOLERANCES UNLESS SPECIFIED		 ELECTRIC MOTORS GEARMOTORS AND DRIVES	DRAWN	IPG 4/8/05		
				DEC.	INCHES		CHK	SAD 4/8/05		
				.X	±.1		APPD			
				.XX	±.01		TITLE	CONNECTION DIAGRAM		
				.XXX	±.005		SCALE	1=1		
00	RELEASED: REF. PR040117-RD1	IPG	4/8/05	SAD	.XXXX ±.0005	MAT'L.	REF	PR040117-RD1		
NO.	REVISION	BY & DATE	CHK	ANG	±1/2'	FINISH	FMF	M1120085.00		
THIS DRAWING IN DESIGN AND DETAIL IS OUR PROPERTY AND MUST NOT BE USED EXCEPT IN CONNECTION WITH OUR WORK ALL RIGHTS OF DESIGN AND INVENTION ARE RESERVED THIS IS AN ELECTRONICALLY GENERATED DOCUMENT - DO NOT SCALE THIS PRINT				RFP		CAD FILE	M100530801	SIZE	DRAWING NO.	REV.
				DIST				A	M1005308.01	00