

PRODUCT INFORMATION PACKET



Model No: CM32D25VZ6A

Catalog No: M1125277.00

13.RT ANGLE.1.3CD.40:1.62RPM.135LBIN.1/4HP.32.LEFT..WASHGUARD.90V.DC.TENV.CM32D25VZ6A
Washguard



Regal and Leeson are trademarks of Regal Beloit Corporation or one of its affiliated companies.

©2018 Regal Beloit Corporation, All Rights Reserved. MC017097E





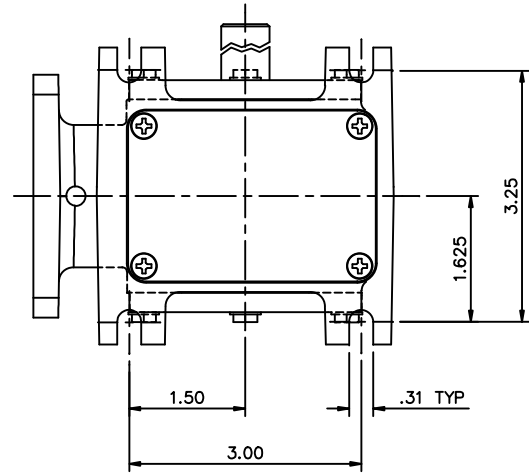
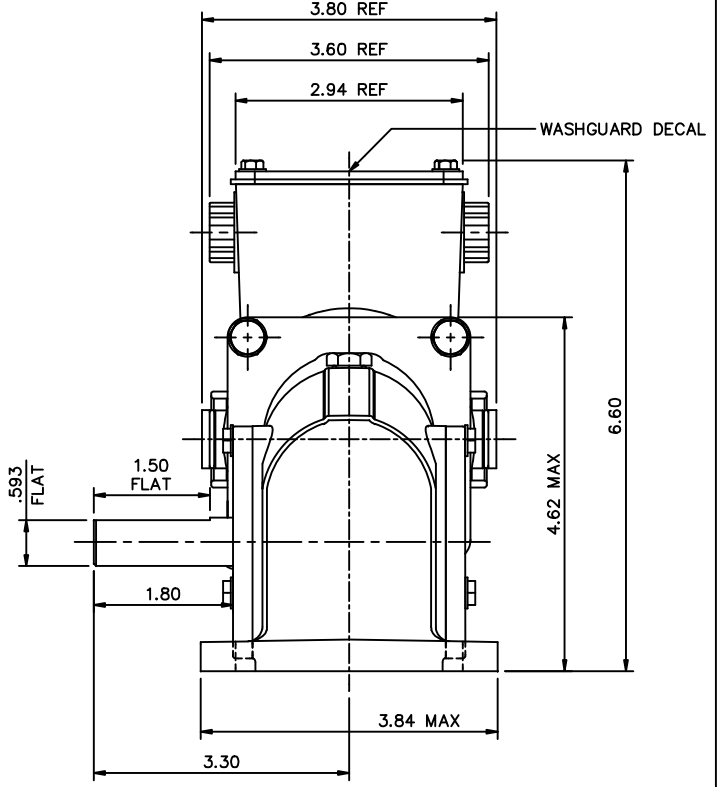
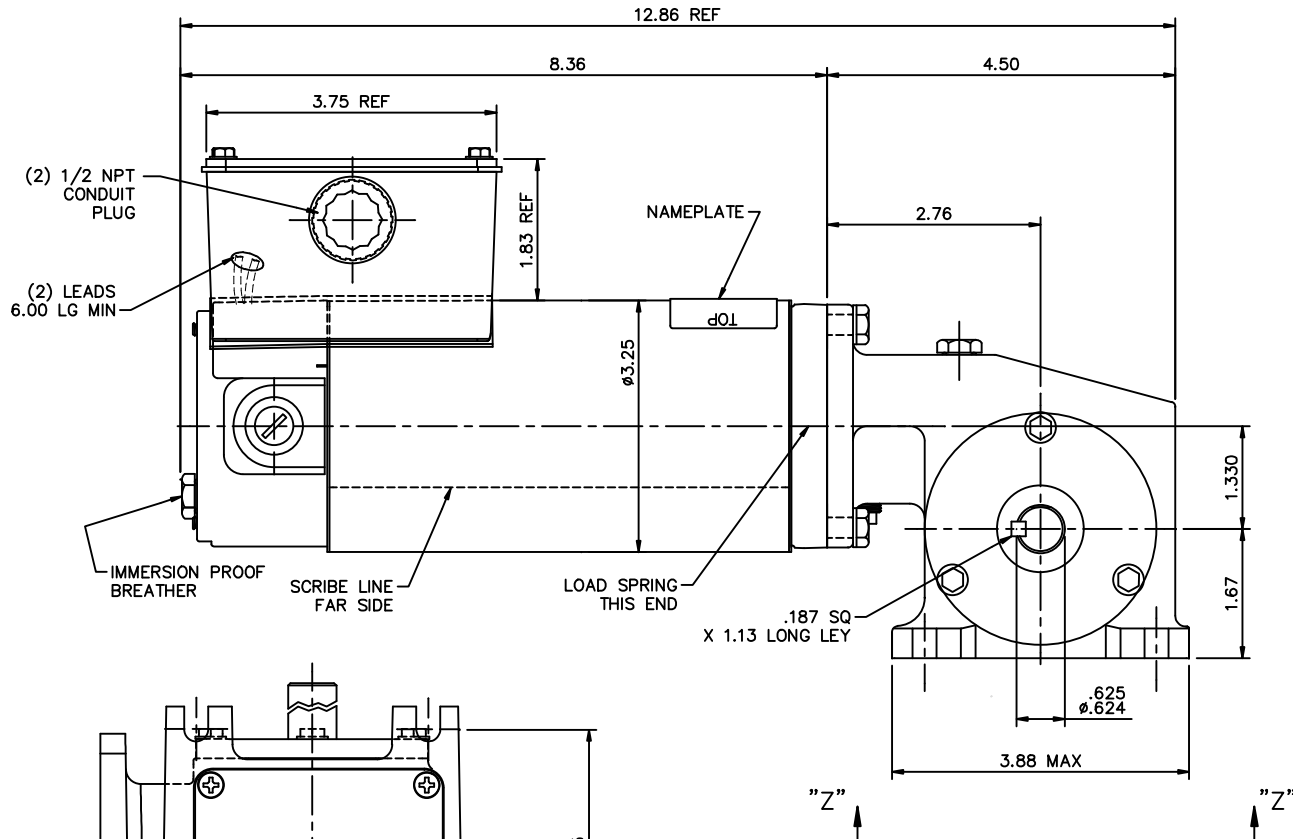
Nameplate Specifications

Output HP	0.25 Hp	Output KW	0.19 kW
Voltage	90 V	Current	3.7 A
Speed	62 rpm	Service Factor	1
Efficiency	30.5 %	Duty	Continuous
Insulation Class	F	Frame	32
Enclosure	Totally Enclosed Non Ventilated	Overload Protector	No
Ambient Temperature	40 °C	Drive End Bearing Size	6201
Opp Drive End Bearing Size	6201	UL	Recognized
CSA	Y	CE	Y

Technical Specifications

Rotation	Reversible	Mounting	Special
Shaft Type	Right Angle	Overall Length	12.86 in
Frame Length	5.94 in	Shaft Diameter	0.625 in
Shaft Extension	1.8 in		
Outline Drawing	M1030980-M1125277	Connection Diagram	M100530801

This is an uncontrolled document once printed or downloaded and is subject to change without notice. Date Created: 10/15/2018



VIEW "Z-Z"

NOTES:

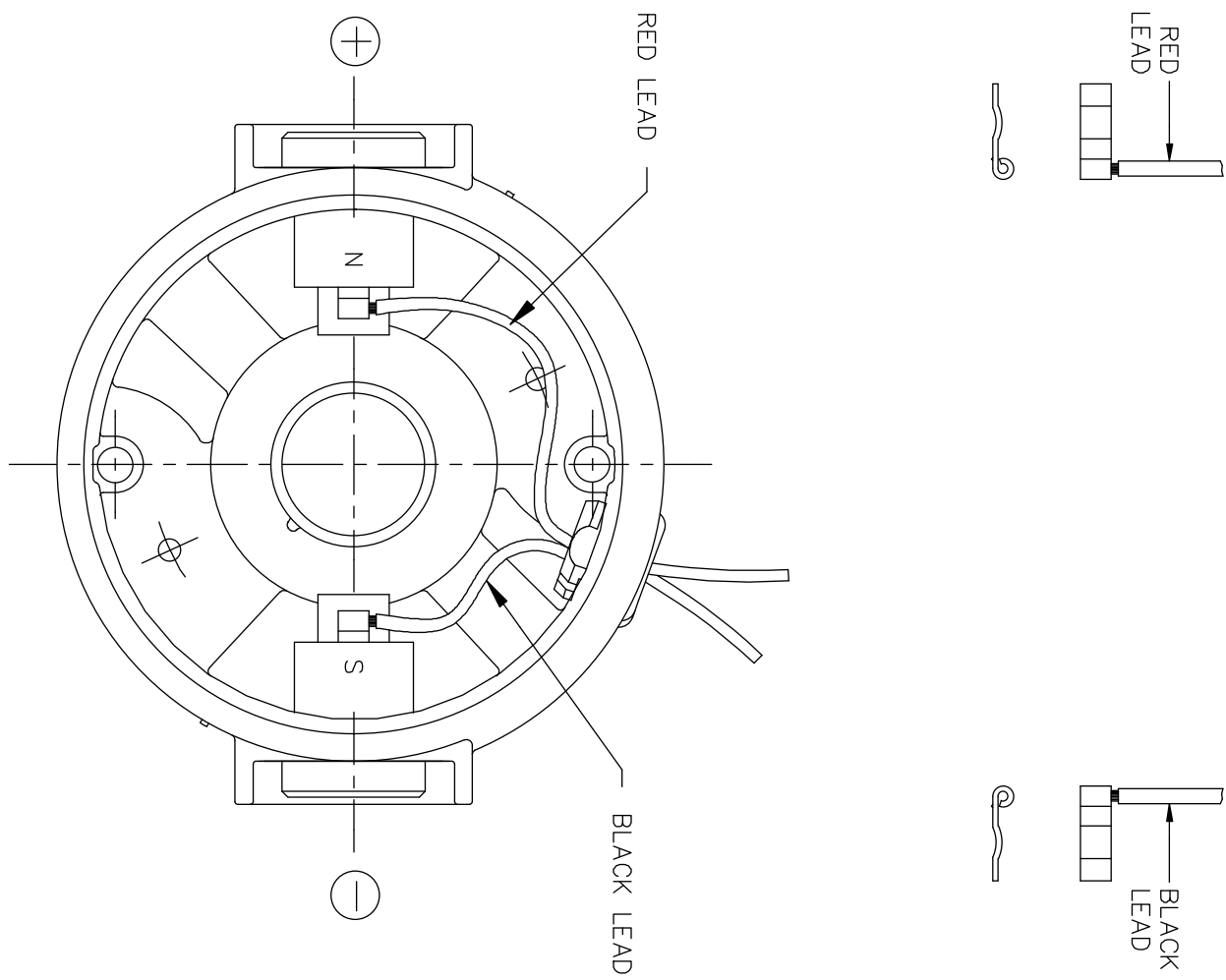
- 1) GASKETS BETWEEN FRAME AND ENDBELLS, CONDUIT BOX AND FRAME, AND CONDUIT BOX COVER AND CONDUIT BOX.

CATALOG NUMBER	SPEED RANGE RPM	FULL LOAD TORQUE LB.-IN.	INPUT HP	OVERHUNG LOAD LBS.	RATIO TO 1
M1125277.00	62-1	135	1/4	235	40
M1125278.00	125-2.1	90	1/4	235	20
M1125279.00	250-4	50	1/4	235	10


NO.		REVISION	BY & DATE	CHK	ANG	±1/2'	TOLERANCES UNLESS SPECIFIED		ELECTRIC MOTORS GEARMOTORS AND DRIVES		DRAWN	IPG 4/29/05
							DEC.	INCHES	LEESON		CHK	SAD 4/29/05
03		1/2 NPT CONDUIT PLUG QTY. WAS 3. ISAAC 08-3457	RPB 7/30/08	BC	.X	±.1			ELECTRIC MOTORS GEARMOTORS AND DRIVES		APPD	
02		CHANGED TO DIE CAST GEARBOX PER ECN 06-3023.	RPB 7/11/06	BC	.XX	±.03			ELECTRIC MOTORS GEARMOTORS AND DRIVES		SCALE	5=8
01		ADDED ITEMS M1125278.00 & M1125279.00 TO TABLE	IPG 4/29/05	SAD	.XXX	±.005			ELECTRIC MOTORS GEARMOTORS AND DRIVES		REF	PRO40129-RD1
00		RELEASED: REF. PRO40129-RD1	IPG 4/29/05	SAD	.XXXX	±.0005			ELECTRIC MOTORS GEARMOTORS AND DRIVES		FMF	M1125277.00
									ELECTRIC MOTORS GEARMOTORS AND DRIVES		PREV	
							RFP		CAD FILE	M1030980	SIZE	B
							DIST				DRAWING NO.	M1030980
											REV.	03

THIS DRAWING IN DESIGN AND DETAIL IS OUR PROPERTY AND MUST NOT BE USED EXCEPT IN CONNECTION WITH OUR WORK ALL RIGHTS OF DESIGN AND INVENTION ARE RESERVED THIS IS AN ELECTRONICALLY GENERATED DOCUMENT - DO NOT SCALE THIS PRINT

D.C. MOTORS



EXTERNAL CONNECTIONS FOR CW ROTATION
 VIEWING LEAD END OF MOTOR WITH RED LEAD
 POSITIVE (+) AND BLACK LEAD NEGATIVE (-)
 FOR CCW ROTATION REVERSE POLARITY

				TOLERANCES UNLESS SPECIFIED		 ELECTRIC MOTORS GEARMOTORS AND DRIVES	DRAWN IPG 4/8/05			
				DEC.	INCHES		CHK SAD 4/8/05			
				.X	±.1		APPD			
				.XX	±.01		SCALE 1=1			
				.XXX	±.005		REF PR040117-RD1			
00	RELEASED: REF. PR040117-RD1	IPG	4/8/05	SAD	.XXXX ±.0005	MAT'L.	FMF M1120085.00			
NO.	REVISION	BY & DATE	CHK	ANG	±1/2'	FINISH	PREV			
THIS DRAWING IN DESIGN AND DETAIL IS OUR PROPERTY AND MUST NOT BE USED EXCEPT IN CONNECTION WITH OUR WORK ALL RIGHTS OF DESIGN AND INVENTION ARE RESERVED THIS IS AN ELECTRONICALLY GENERATED DOCUMENT - DO NOT SCALE THIS PRINT				RFP		CAD FILE	M100530801	SIZE	DRAWING NO.	REV.
				DIST				A	M1005308.01	00