

# PRODUCT INFORMATION PACKET



Model No: CM31D25VZ4B  
Catalog No: M1125276.00  
..1/8HP..250RPM.31.TENV.90V..DC.....CM31D25VZ4B.13.RT  
ANGLE.1.3CD.10:1.WASHGUARD..25LBIN.LEFT.....  
Washguard



Regal and Leeson are trademarks of Regal Beloit Corporation or one of its affiliated companies.

©2018 Regal Beloit Corporation, All Rights Reserved. MC017097E





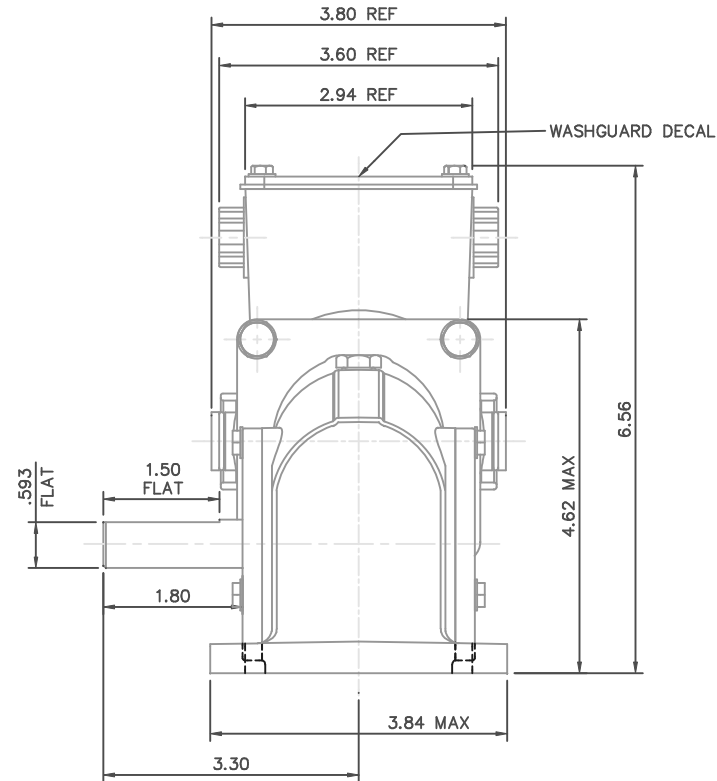
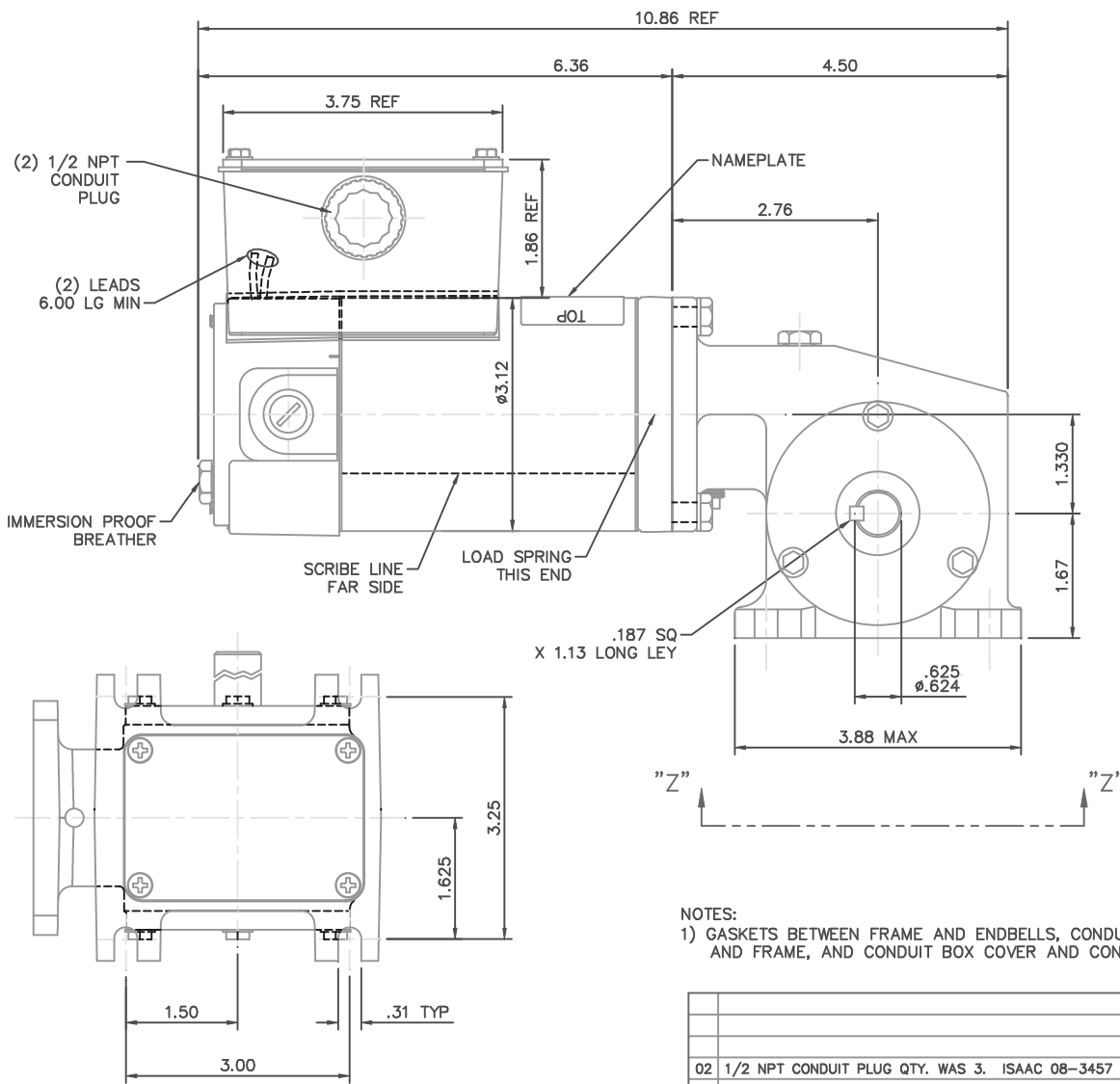
### Nameplate Specifications

Output HP	<b>0.13 Hp</b>	Output KW	<b>0.10 kW</b>
Voltage	<b>90 V</b>	Current	<b>2.4 A</b>
Speed	<b>250 rpm</b>	Service Factor	<b>1</b>
Efficiency	<b>32.6 %</b>	Duty	<b>Continuous</b>
Insulation Class	<b>F</b>	Frame	<b>31</b>
Enclosure	<b>Totally Enclosed Non Ventilated</b>	Overload Protector	<b>No</b>
Ambient Temperature	<b>40 °C</b>	Drive End Bearing Size	<b>6201</b>
Opp Drive End Bearing Size	<b>6201</b>	UL	<b>Recognized</b>
CSA	<b>Y</b>	CE	<b>Y</b>

### Technical Specifications

Rotation	<b>Reversible</b>	Mounting	<b>Special</b>
Shaft Type	<b>Right Angle</b>	Overall Length	<b>10.86 in</b>
Frame Length	<b>3.94 in</b>	Shaft Diameter	<b>0.625 in</b>
Shaft Extension	<b>1.8 in</b>		
Outline Drawing	<b>M1030982-M1125276</b>	Connection Diagram	<b>M100530901</b>

**This is an uncontrolled document once printed or downloaded and is subject to change without notice. Date Created: 10/15/2018**



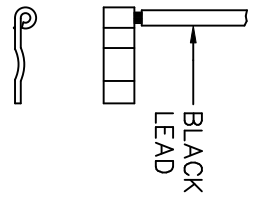
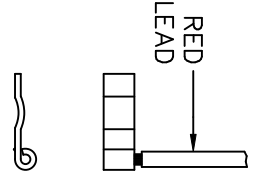
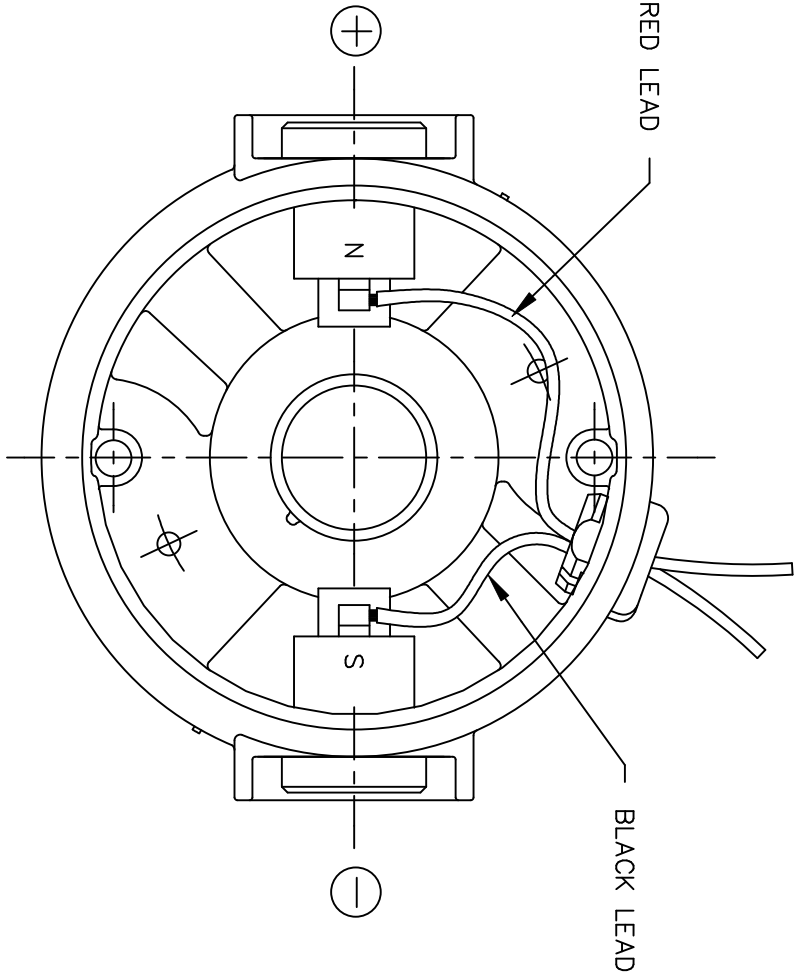
NOTES:  
 1) GASKETS BETWEEN FRAME AND ENDBELLS, CONDUIT BOX AND FRAME, AND CONDUIT BOX COVER AND CONDUIT BOX.

CATALOG NUMBER	SPEED RANGE RPM	FULL LOAD TORQUE LB.-IN.	INPUT HP	OVERHUNG LOAD LBS.	RATIO TO 1
M1125275.00	42-7	80	1/8	235	60
M1125276.00	250-4	25	1/8	235	10


VIEW "Z-Z"

NO.		REVISION	BY & DATE	CHK	ANG	±1/2"	FINISH	PREV	
02	1/2 NPT CONDUIT PLUG QTY. WAS 3.	ISAAC 08-3457	RPB 7/30/08	BC	.XX	±.03	TITLE	OUTLINE - 31 FRAME DC	
01	CHANGED TO DIE CAST GEARBOX PER ECN 06-3023.		RPB 7/12/06	BC	.XXX	±.005	TITLE	13 SERIES 90V GEARMOTOR	
00	RELEASED: REF. M1030980.00, DIFF. FRAME SIZE		IPG 5/2/05	SAD	.XXXX	±.0005	MAT'L		
THIS DRAWING IN DESIGN AND DETAIL IS OUR PROPERTY AND MUST NOT BE USED EXCEPT IN CONNECTION WITH OUR WORK ALL RIGHTS OF DESIGN AND INVENTION ARE RESERVED THIS IS AN ELECTRONICALLY GENERATED DOCUMENT - DO NOT SCALE THIS PRINT								TO FRANCES UNLESS SPECIFIED DEC. INCHES .X ±.1	
LEESON ELECTRIC MOTORS GEARMOTORS AND DRIVES								DRAWN IPG 5/2/05 CHK SAD 5/2/05 APPD SCALE 5=8 REF M1030980.00 FMF M1125275.00 PREV	
CAD FILE M1030982							SIZE B	DRAWING NO. M1030982.00	REV. 02

D.C. MOTORS



EXTERNAL CONNECTIONS FOR CW ROTATION  
 VIEWING LEAD END OF MOTOR WITH RED LEAD  
 POSITIVE (+) AND BLACK LEAD NEGATIVE (-)  
 FOR CCW ROTATION REVERSE POLARITY

				TOLERANCES UNLESS SPECIFIED		 ELECTRIC MOTORS GEARMOTORS AND DRIVES	DRAWN	IPG 5/2/05		
				DEC.	INCHES		CHK	SAD 5/2/05		
				.X	±.1		APPD			
				.XX	±.01		TITLE	CONNECTION DIAGRAM		
				.XXX	±.005		SCALE	1=1		
00	RELEASED: REF. M1005308.01	IPG	5/2/05	SAD	.XXXX ±.0005	MAT'L.	REF	M1005308.01		
NO.	REVISION	BY & DATE	CHK	ANG	±1/2"	FINISH	FMF	M1125275.00		
THIS DRAWING IN DESIGN AND DETAIL IS OUR PROPERTY AND MUST NOT BE USED EXCEPT IN CONNECTION WITH OUR WORK ALL RIGHTS OF DESIGN AND INVENTION ARE RESERVED THIS IS AN ELECTRONICALLY GENERATED DOCUMENT - DO NOT SCALE THIS PRINT				RFP		CAD FILE	M100530901	SIZE	DRAWING NO.	REV.
				DIST				A	M1005309.01	00