

# PRODUCT INFORMATION PACKET



Model No: CM31D25VZ3B

Catalog No: M1125275.00

13.RT ANGLE.1.3CD.60:1.42RPM.80LBIN.1/8HP.31.LEFT..WASHGUARD.90V.DC.TENV.CM31D25VZ3B  
Washguard



Regal and Leeson are trademarks of Regal Beloit Corporation or one of its affiliated companies.

©2018 Regal Beloit Corporation, All Rights Reserved. MC017097E





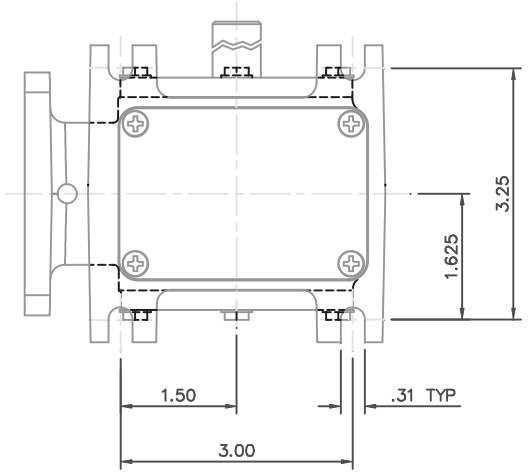
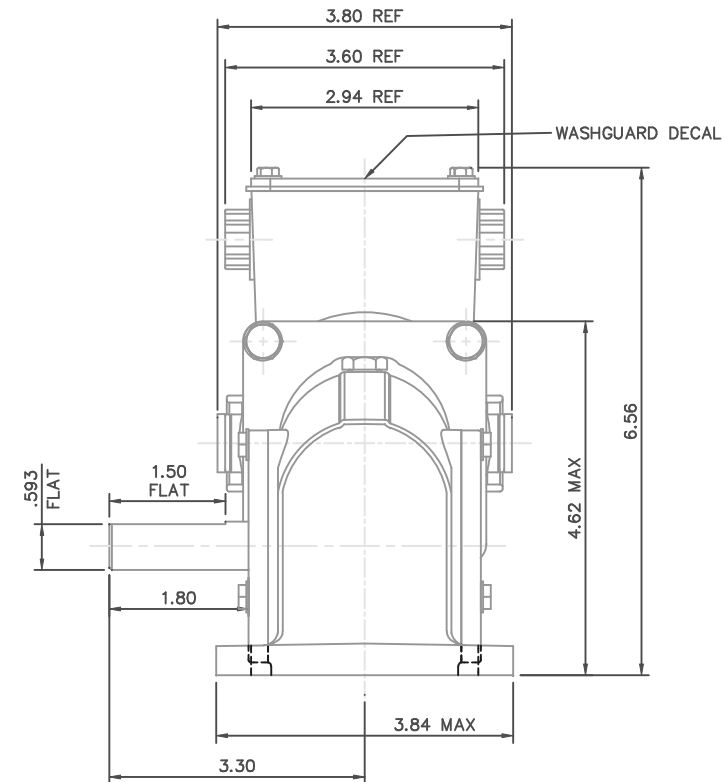
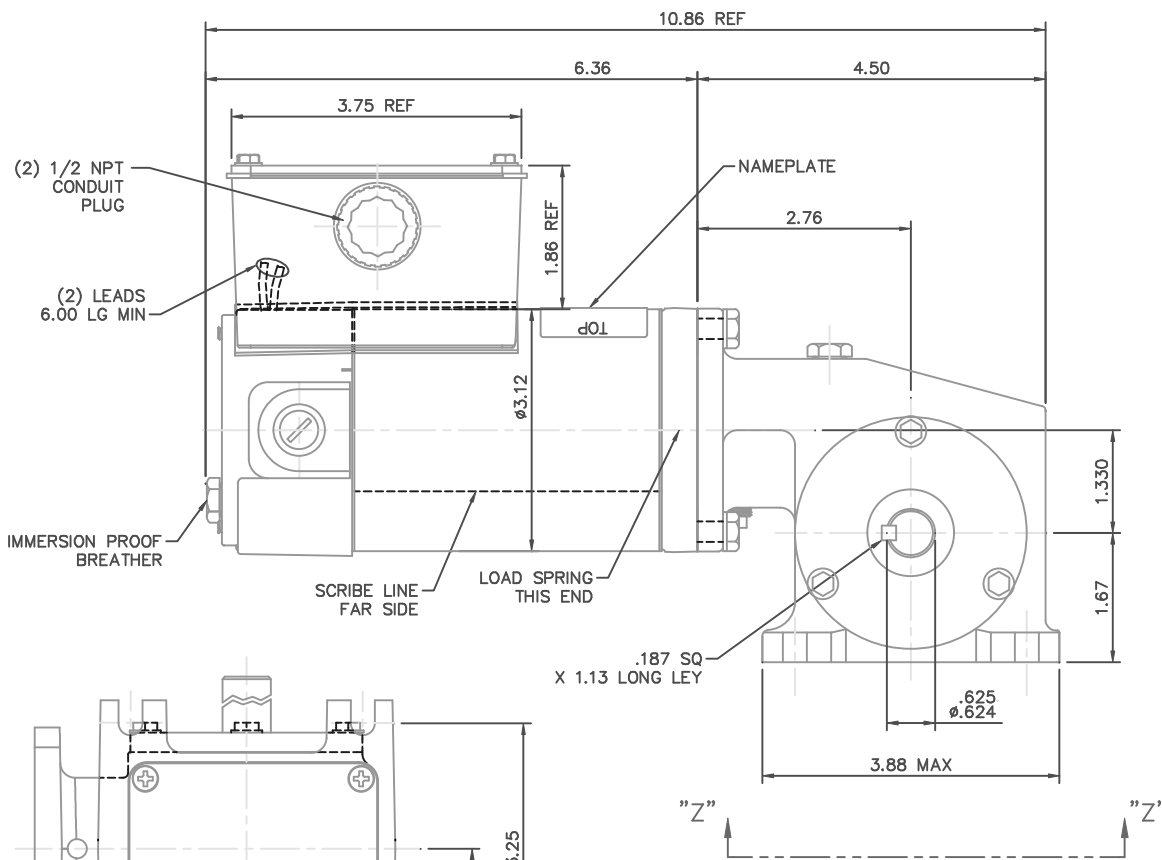
### Nameplate Specifications

|                            |                                 |                        |            |
|----------------------------|---------------------------------|------------------------|------------|
| Output HP                  | 0.13 Hp                         | Output KW              | 0.10 kW    |
| Voltage                    | 90 V                            | Current                | 2.2 A      |
| Speed                      | 42 rpm                          | Service Factor         | 1          |
| Efficiency                 | 19 %                            | Duty                   | Continuous |
| Insulation Class           | F                               | Frame                  | 31         |
| Enclosure                  | Totally Enclosed Non Ventilated | Overload Protector     | No         |
| Ambient Temperature        | 40 °C                           | Drive End Bearing Size | 6201       |
| Opp Drive End Bearing Size | 6201                            | UL                     | Recognized |
| CSA                        | Y                               | CE                     | Y          |

### Technical Specifications

|                 |                   |                    |            |
|-----------------|-------------------|--------------------|------------|
| Rotation        | Reversible        | Mounting           | Special    |
| Shaft Type      | Right Angle       | Overall Length     | 10.86 in   |
| Frame Length    | 3.94 in           | Shaft Diameter     | 0.625 in   |
| Shaft Extension | 1.8 in            |                    |            |
| Outline Drawing | M1030982-M1125275 | Connection Diagram | M100530901 |


This is an uncontrolled document once printed or downloaded and is subject to change without notice. Date Created: 10/15/2018



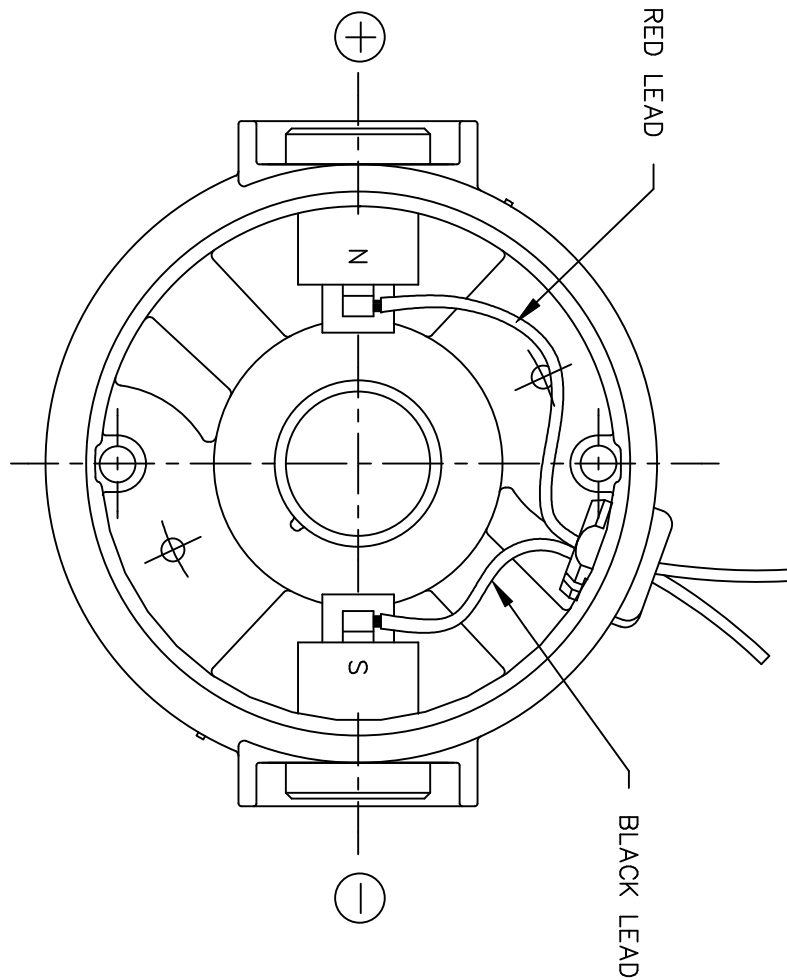
VIEW "Z-Z"

NOTES:  
 1) GASKETS BETWEEN FRAME AND ENDBELLS, CONDUIT BOX AND FRAME, AND CONDUIT BOX COVER AND CONDUIT BOX.

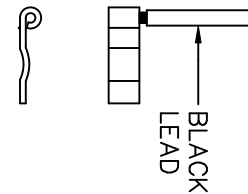
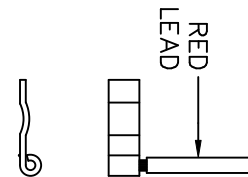
| CATALOG NUMBER | SPEED RANGE RPM | FULL LOAD TORQUE LB.-IN. | INPUT HP | OVERHUNG LOAD LBS. | RATIO TO 1 |
|----------------|-----------------|--------------------------|----------|--------------------|------------|
| M1125275.00    | 42-7            | 80                       | 1/8      | 235                | 60         |
| M1125276.00    | 250-4           | 25                       | 1/8      | 235                | 10         |


| TO DIMENSIONS UNLESS SPECIFIED |  | DEC. INCHES |                  |  | DRAWN IPG 5/2/05        |                         |
|--------------------------------|--|-------------|------------------|---|-------------------------|-------------------------|
| NO.                            | REVISION                                       | BY & DATE   | CHK              |   | APPD                    | SCALE                   |
| 02                             | 1/2 NPT CONDUIT PLUG QTY. WAS 3. ISAAC 08-3457 | RPB 7/30/08 | BC .XX ±.03      | TITLE   | OUTLINE - 31 FRAME DC   |                         |
| 01                             | CHANGED TO DIE CAST GEARBOX PER ECN 06-3023.   | RPB 7/12/06 | BC .XXX ±.005    | TITLE   | 13 SERIES 90V GEARMOTOR |                         |
| 00                             | RELEASED: REF. M1030980.00, DIFF. FRAME SIZE   | IPG 5/2/05  | SAD .XXXX ±.0005 | MAT'L   | REF                     | M1030980.00             |
|                                |  |             | CHK ANG ±1/2"    | FINISH  | FMF                     | M1125275.00             |
|                                |  |             | RFP              | CAD FILE  | M1030982                | SIZE B                  |
|                                |  |             | DIST             |   |                         | DRAWING NO. M1030982.00 |
|                                |  |             |                  |   |                         | REV. 02                 |

D.C. MOTORS



EXTERNAL CONNECTIONS FOR CW ROTATION  
 VIEWING LEAD END OF MOTOR WITH RED LEAD  
 POSITIVE (+) AND BLACK LEAD NEGATIVE (-)  
 FOR CCW ROTATION REVERSE POLARITY



|  |                            |            |     |                             |        |   |   |
|--|----------------------------|------------|-----|-----------------------------|--------|---|---|
|  |                            |            |     | TOLERANCES UNLESS SPECIFIED |        |  ELECTRIC MOTORS<br>GEARMOTORS<br>AND DRIVES | DRAWN IPG 5/2/05<br>CHK SAD 5/2/05<br>APPD<br>SCALE 1=1<br>REF M1005308.01<br>FMF M1125275.00<br>PREV |
|  |                            |            |     | DEC.                        | INCHES |   | TITLE CONNECTION DIAGRAM<br>MAT'L.<br>FINISH  |
|  |                            |            |     | .X                          | ±.1    |   |   |
|  |                            |            |     | .XX                         | ±.01   |   |   |
|  |                            |            |     | .XXX                        | ±.005  |   |   |
| 00   | RELEASED: REF. M1005308.01 | IPG 5/2/05 | SAD | .XXXX                       | ±.0005 |   |   |
| NO.  | REVISION                   | BY & DATE  | CHK | ANG                         | ±1/2"  |   |   |
| THIS DRAWING IN DESIGN AND DETAIL IS OUR PROPERTY AND MUST NOT BE USED EXCEPT<br>IN CONNECTION WITH OUR WORK ALL RIGHTS OF DESIGN AND INVENTION ARE RESERVED<br>THIS IS AN ELECTRONICALLY GENERATED DOCUMENT - DO NOT SCALE THIS PRINT |                            |            |     | RFP                         |        | CAD FILE  | M100530901  |
|  |                            |            |     | DIST                        |        | SIZE  | DRAWING NO.   |
|  |                            |            |     |                             |        | A   | M1005309.01   |
|  |                            |            |     |                             |        |   | REV.  |
|  |                            |            |     |                             |        |   | 00  |