

PRODUCT INFORMATION PACKET



Model No: CM32D25VZ5B

Catalog No: M1125274.00

PE350.PARALLEL..58:1.42RPM.325LBIN.1/4HP.32..TRIPLE.WASHGUARD.12V.DC.TENV.CM32D25VZ5B
PE350 Series



Regal and Leeson are trademarks of Regal Beloit Corporation or one of its affiliated companies.

©2018 Regal Beloit Corporation, All Rights Reserved. MC017097E





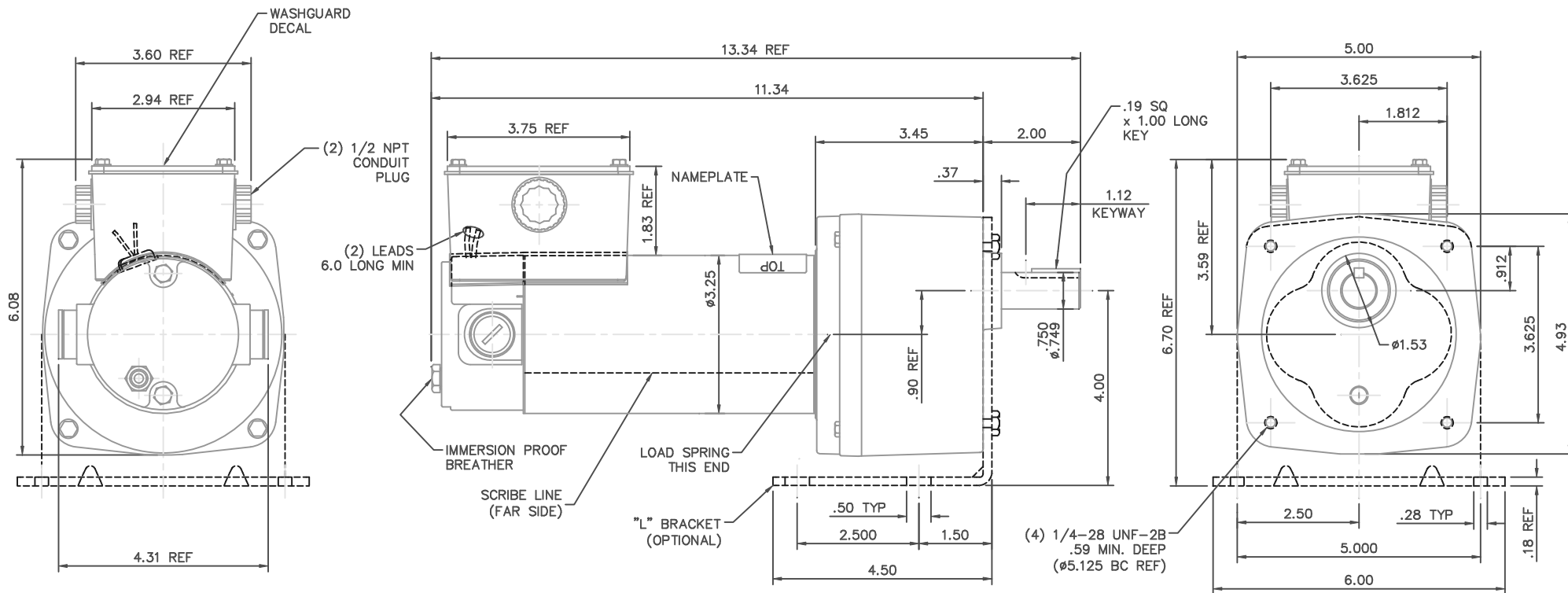
Nameplate Specifications

Output HP	0.25 Hp	Output KW	0.19 kW
Voltage	12 V	Current	20.0 A
Speed	42 rpm	Service Factor	1
Efficiency	60.7 %	Duty	Continuous
Insulation Class	F	Frame	32
Enclosure	Totally Enclosed Non Ventilated	Overload Protector	No
Ambient Temperature	40 °C	Drive End Bearing Size	6201
Opp Drive End Bearing Size	6201	UL	Recognized
CSA	Y	CE	N

Technical Specifications

Rotation	Reversible	Mounting	Special
Shaft Type	Parallel	Overall Length	13.34 in
Frame Length	5.94 in	Shaft Diameter	0.750 in
Shaft Extension	1.63 in		
Outline Drawing	M1030992-M1125274	Connection Diagram	M100530801

This is an uncontrolled document once printed or downloaded and is subject to change without notice. Date Created: 10/15/2018

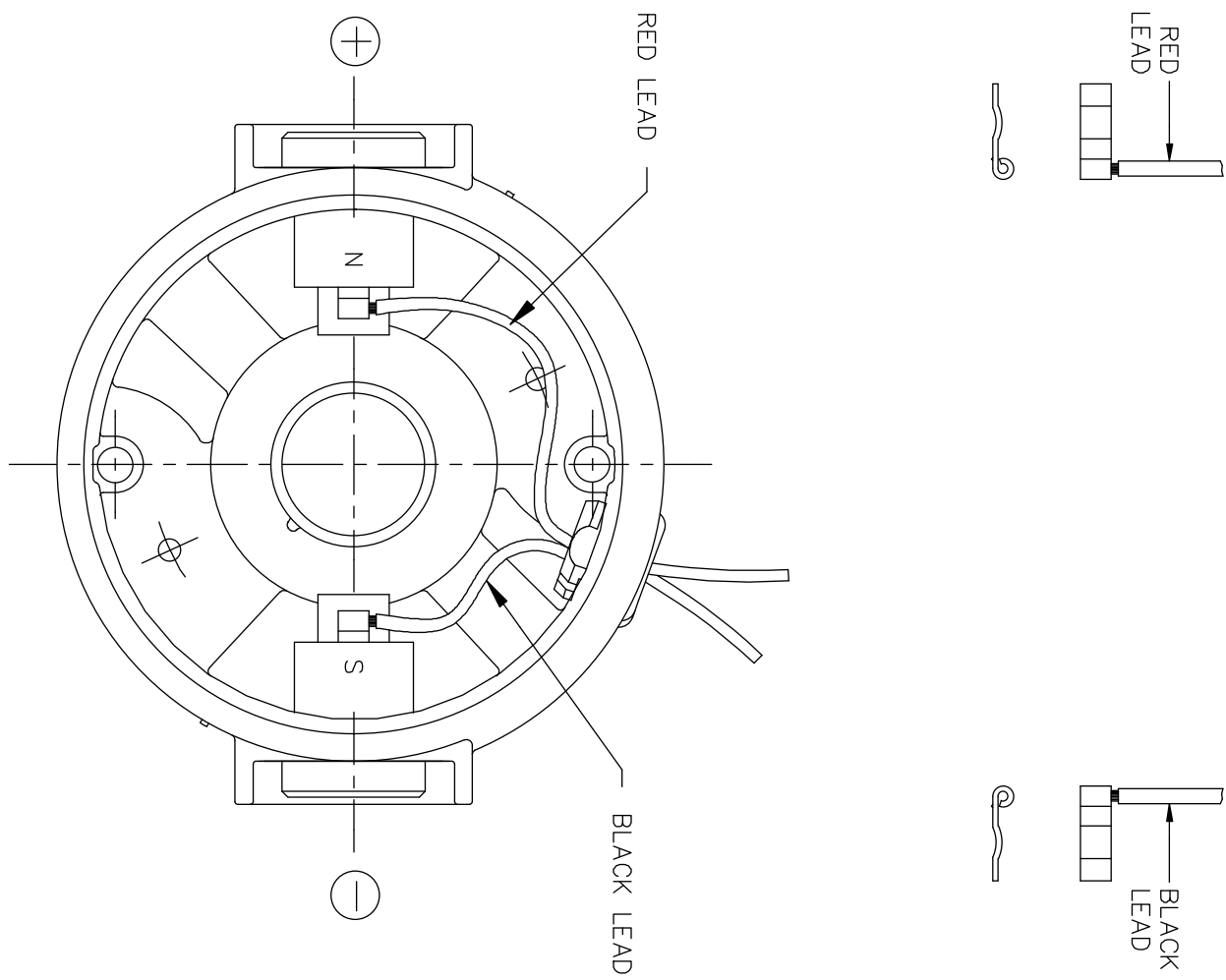


NOTES:
 1) GASKETS BETWEEN FRAME AND ENDBELL/GEARBOX, CONDUIT BOX AND FRAME, AND CONDUIT BOX COVER AND CONDUIT BOX.


CATALOG NUMBER	OUTPUT RPM	FULL LOAD TORQUE LB.-IN.	INPUT HP	OVERHUNG LOAD LBS.	RATIO TO 1
M1125274.00	42	325	1/4	327	58

				TOLERANCES UNLESS SPECIFIED		LEESON	ELECTRIC MOTORS GEARMOTORS AND DRIVES	DRAWN		
NO.	REVISION	BY & DATE	CHK	ANG	FINISH			IPG	SAD	
02	1/2 NPT CONDUIT PLUG QTY. WAS 3.	ISAAC 08-3457	RPB	7/30/08	BC	.X	±.1	IPG	5/16/05	
01	REMOVED (2) O-RINGS FROM INSIDE OF BRUSH HOLDERS.					.XX	±.03	CHK	SAD 5/16/05	
	CHANGED BRUSH CAPS & ADDED TEFLON.	ECN 07-4101	RPB	11/26/07	BC	.XXX	±.005	APPD		
00	RELEASED: REF. PRO40128-RD1		IPG	5/16/05	SAD	.XXXX	±.0005	SCALE	1=2	
								REF	PRO40128-RD1	
								FMF	M1125274.00	
								PREV		
THIS DRAWING IN DESIGN AND DETAIL IS OUR PROPERTY AND MUST NOT BE USED EXCEPT IN CONNECTION WITH OUR WORK. ALL RIGHTS OF DESIGN AND INVENTION ARE RESERVED. THIS IS AN ELECTRONICALLY GENERATED DOCUMENT - DO NOT SCALE THIS PRINT										
			RFP			CAD FILE	M1030992	SIZE	DRAWING NO.	REV.
			DIST					B	M1030992.00	02

D.C. MOTORS



EXTERNAL CONNECTIONS FOR CW ROTATION
 VIEWING LEAD END OF MOTOR WITH RED LEAD
 POSITIVE (+) AND BLACK LEAD NEGATIVE (-)
 FOR CCW ROTATION REVERSE POLARITY

		TOLERANCES UNLESS SPECIFIED		 ELECTRIC MOTORS GEARMOTORS AND DRIVES	DRAWN IPG 4/8/05
		DEC.	INCHES		CHK SAD 4/8/05
		.X	±.1		APPD
		.XX	±.01		SCALE 1=1
		.XXX	±.005		REF PR040117-RD1
00	RELEASED: REF. PR040117-RD1	IPG 4/8/05	SAD .XXXX ±.0005	MAT'L.	FMF M1120085.00
NO.	REVISION	BY & DATE	CHK ANG ±1/2'	FINISH	PREV
THIS DRAWING IN DESIGN AND DETAIL IS OUR PROPERTY AND MUST NOT BE USED EXCEPT IN CONNECTION WITH OUR WORK ALL RIGHTS OF DESIGN AND INVENTION ARE RESERVED THIS IS AN ELECTRONICALLY GENERATED DOCUMENT - DO NOT SCALE THIS PRINT			RFP	CAD FILE M100530801	SIZE A
			DIST		DRAWING NO. M1005308.01
					REV. 00