

PRODUCT INFORMATION PACKET



Model No: CM31D25VZ1A

Catalog No: M1125268.00

PE350.PARALLEL..180:1.14RPM.341LBIN.1/8HP.31..TRIPLE.WASHGUARD.90V.DC.TENV.CM31D25VZ1A
PE350 Series



Regal and Leeson are trademarks of Regal Beloit Corporation or one of its affiliated companies.

©2018 Regal Beloit Corporation, All Rights Reserved. MC017097E





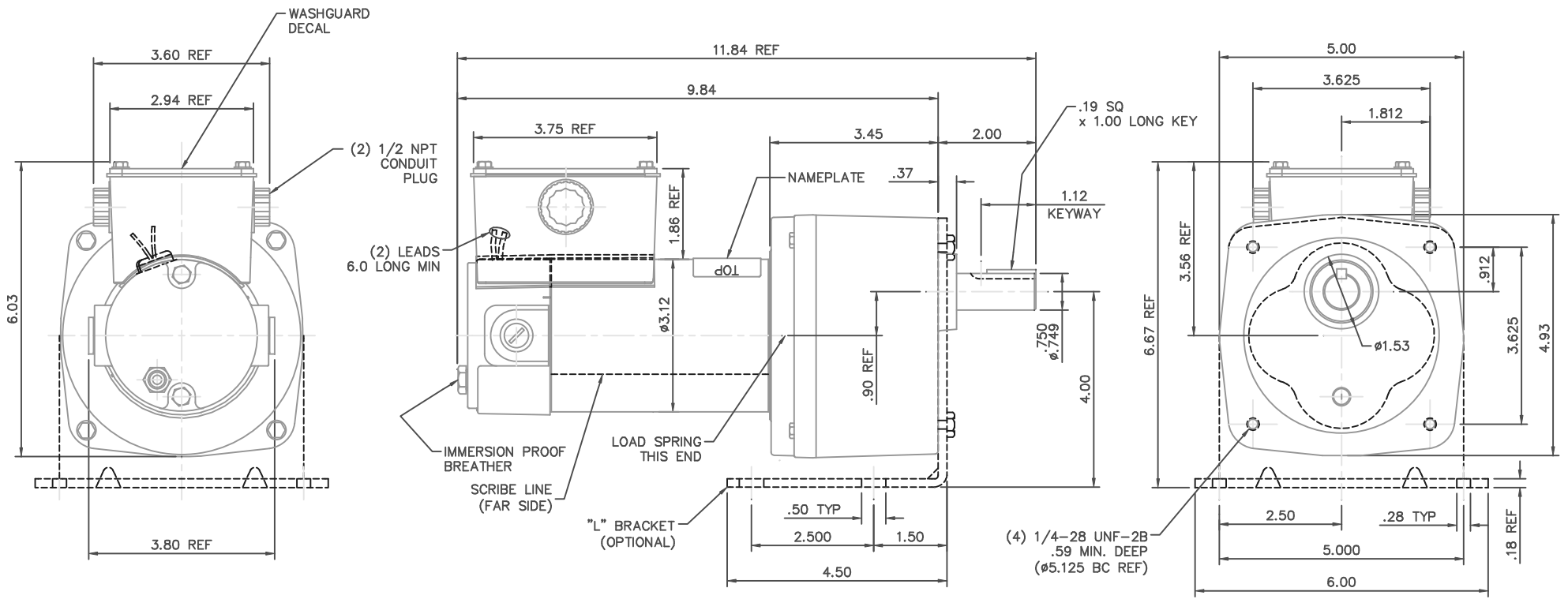
Nameplate Specifications

Output HP	0.13 Hp	Output KW	0.10 kW
Voltage	90 V	Current	1.5 A
Speed	14 rpm	Service Factor	1
Efficiency	46.2 %	Duty	Continuous
Insulation Class	F	Frame	31
Enclosure	Totally Enclosed Non Ventilated	Overload Protector	No
Ambient Temperature	40 °C	Drive End Bearing Size	6201
Opp Drive End Bearing Size	6201	UL	Recognized
CSA	Y	CE	Y

Technical Specifications

Rotation	Reversible	Mounting	Special
Shaft Type	Parallel	Overall Length	11.84 in
Frame Length	4.44 in	Shaft Diameter	0.750 in
Shaft Extension	1.63 in		
Outline Drawing	M1030990-M1125268	Connection Diagram	M100530901

This is an uncontrolled document once printed or downloaded and is subject to change without notice. Date Created: 10/15/2018

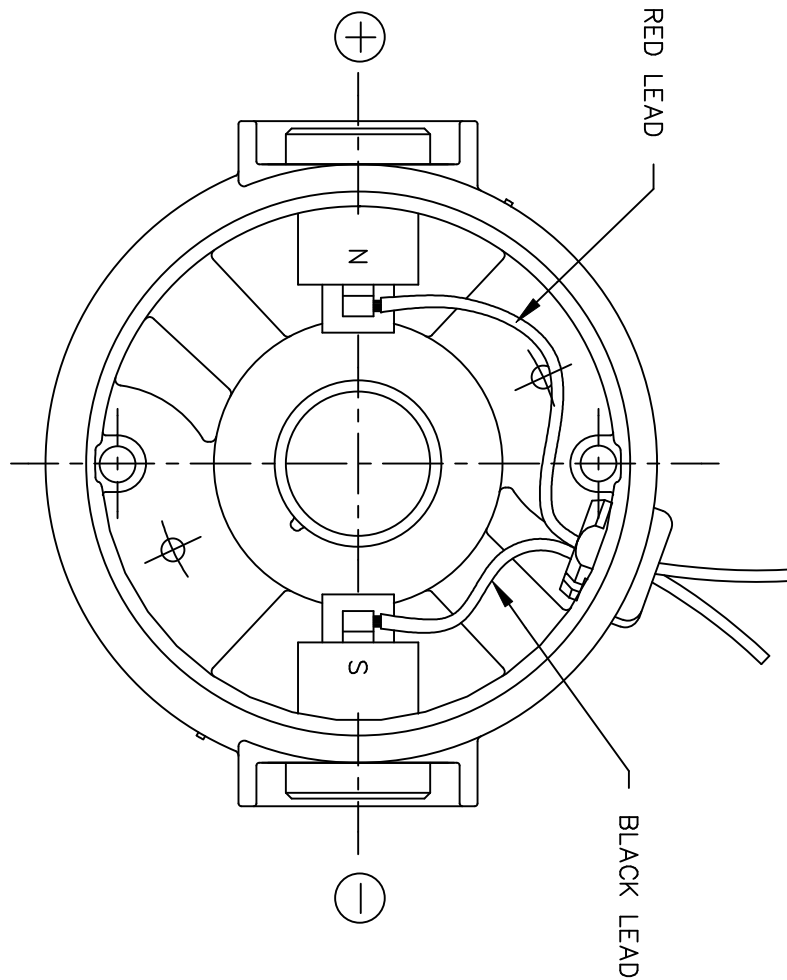


NOTES:
 1) GASKETS BETWEEN FRAME AND ENDBELL/GEARBOX, CONDUIT BOX AND FRAME, AND CONDUIT BOX COVER AND CONDUIT BOX.

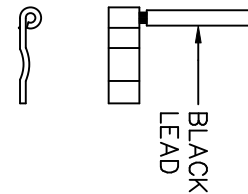
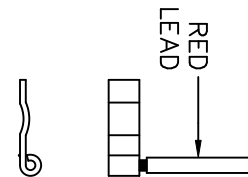
CATALOG NUMBER	OUTPUT RPM	FULL LOAD TORQUE LB.-IN.	INPUT HP	OVERHUNG LOAD LBS.	RATIO TO 1
M1125268.00	14	341	1/8	465	180


				TOLERANCES UNLESS SPECIFIED		LEESON	ELECTRIC MOTORS GEARMOTORS AND DRIVES	DRAWN			
				DEC.	INCHES			IPG 5/13/05			
				.X	±.1			CHK			
				.XX	±.03			APPD			
01	1/2 NPT CONDUIT PLUG QTY. WAS 3. ISAAC 08-3457	RPB	7/30/08	BC	.XXX	±.005	TITLE	SCALE			
00	RELEASED: REF. PR040127-RD1	IPG	5/13/05	SAD	.XXXX	±.0005	OUTLINE - 31 FRAME DC 90V - PE350 GEARMOTOR	1=2			
				CHK	ANG	±1/2'	MAT'L	REF			
							FINISH	FMF			
							PREV	M1125268.00			
THIS DRAWING IN DESIGN AND DETAIL IS OUR PROPERTY AND MUST NOT BE USED EXCEPT IN CONNECTION WITH OUR WORK ALL RIGHTS OF DESIGN AND INVENTION ARE RESERVED THIS IS AN ELECTRONICALLY GENERATED DOCUMENT - DO NOT SCALE THIS PRINT				RFP			CAD FILE	M1030990	SIZE	DRAWING NO.	REV.
				DIST				B	M1030990.00	01	

D.C. MOTORS



EXTERNAL CONNECTIONS FOR CW ROTATION
 VIEWING LEAD END OF MOTOR WITH RED LEAD
 POSITIVE (+) AND BLACK LEAD NEGATIVE (-)
 FOR CCW ROTATION REVERSE POLARITY



				TOLERANCES UNLESS SPECIFIED		 ELECTRIC MOTORS GEARMOTORS AND DRIVES	DRAWN	IPG 5/2/05		
				DEC.	INCHES		CHK	SAD 5/2/05		
				.X	±.1		APPD			
				.XX	±.01		TITLE	CONNECTION DIAGRAM		
				.XXX	±.005		SCALE	1=1		
00	RELEASED: REF. M1005308.01	IPG 5/2/05	SAD	.XXXX	±.0005	MAT'L.	REF	M1005308.01		
NO.	REVISION	BY & DATE	CHK	ANG	±1/2"	FINISH	FMF	M1125275.00		
THIS DRAWING IN DESIGN AND DETAIL IS OUR PROPERTY AND MUST NOT BE USED EXCEPT IN CONNECTION WITH OUR WORK ALL RIGHTS OF DESIGN AND INVENTION ARE RESERVED THIS IS AN ELECTRONICALLY GENERATED DOCUMENT - DO NOT SCALE THIS PRINT				RFP		CAD FILE	M100530901	SIZE	DRAWING NO.	REV.
				DIST				A	M1005309.01	00