

PRODUCT INFORMATION PACKET



Model No: CM31D17VZ11B

Catalog No: M1125267.00

P300.PARALLEL..58:1.31RPM.220LBIN.1/8HP.31..TRIPLE.WASHGUARD.12V.DC.TENV.CM31D17VZ11B
P300 Series



Regal and Leeson are trademarks of Regal Beloit Corporation or one of its affiliated companies.

©2018 Regal Beloit Corporation, All Rights Reserved. MC017097E





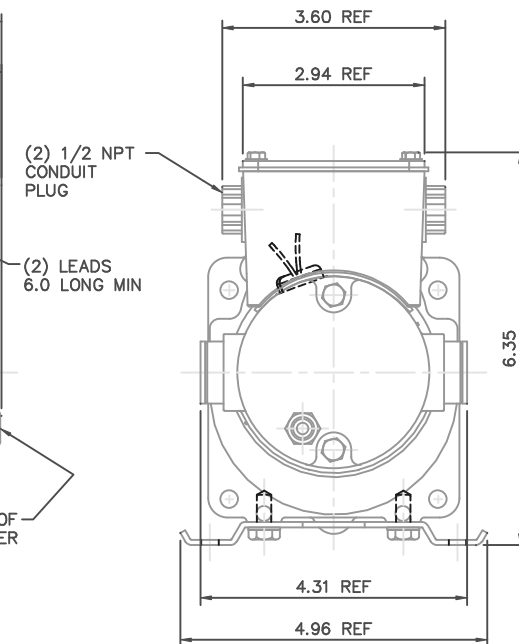
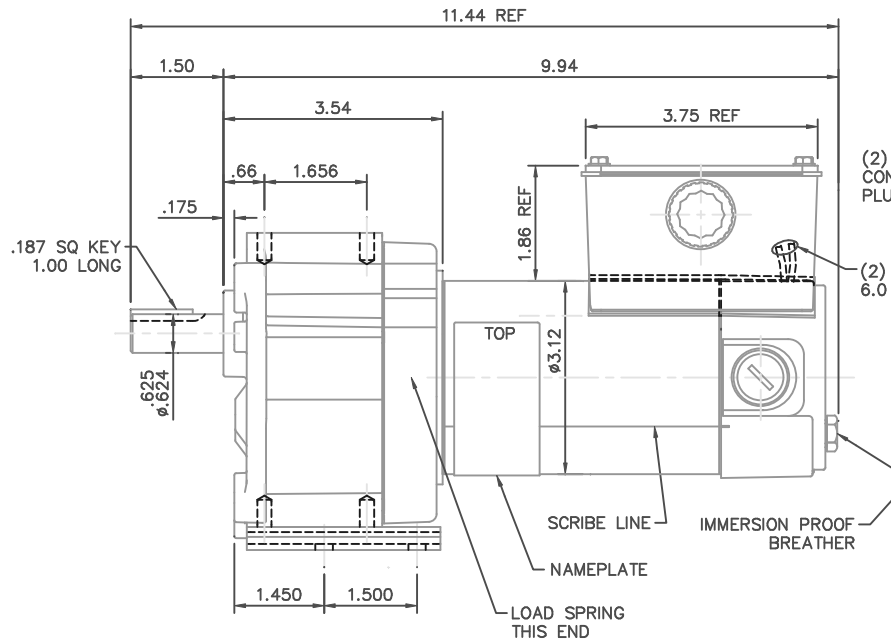
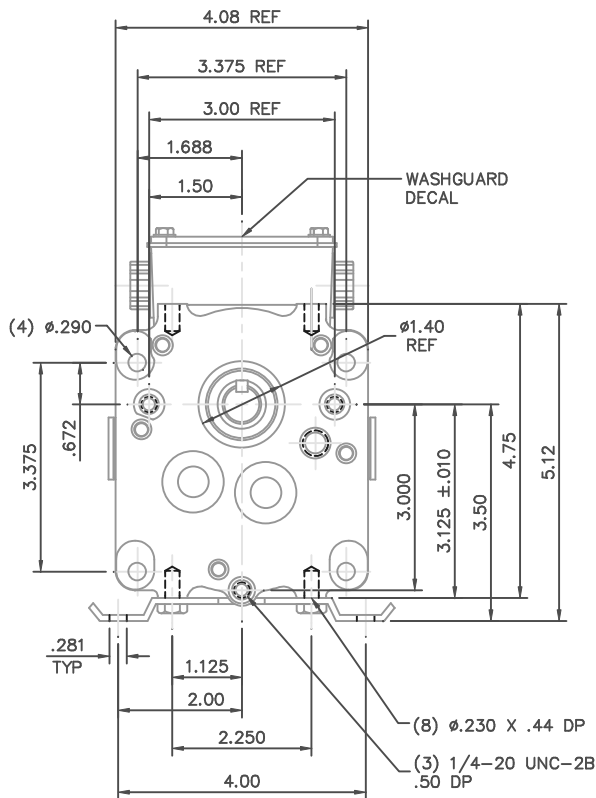
Nameplate Specifications

Output HP	0.13 Hp	Output KW	0.10 kW
Voltage	12 V	Current	11.0 A
Speed	31 rpm	Service Factor	1
Efficiency	51 %	Duty	Continuous
Insulation Class	F	Frame	31
Enclosure	Totally Enclosed Non Ventilated	Overload Protector	No
Ambient Temperature	40 °C	Drive End Bearing Size	6201
Opp Drive End Bearing Size	6201	UL	Recognized
CSA	Y	CE	N

Technical Specifications

Rotation	Reversible	Mounting	Special
Shaft Type	Parallel	Overall Length	11.44 in
Frame Length	4.44 in	Shaft Diameter	0.625 in
Shaft Extension	1.63 in		
Outline Drawing	M1030988-M1125267	Connection Diagram	M100530901


This is an uncontrolled document once printed or downloaded and is subject to change without notice. Date Created: 10/15/2018



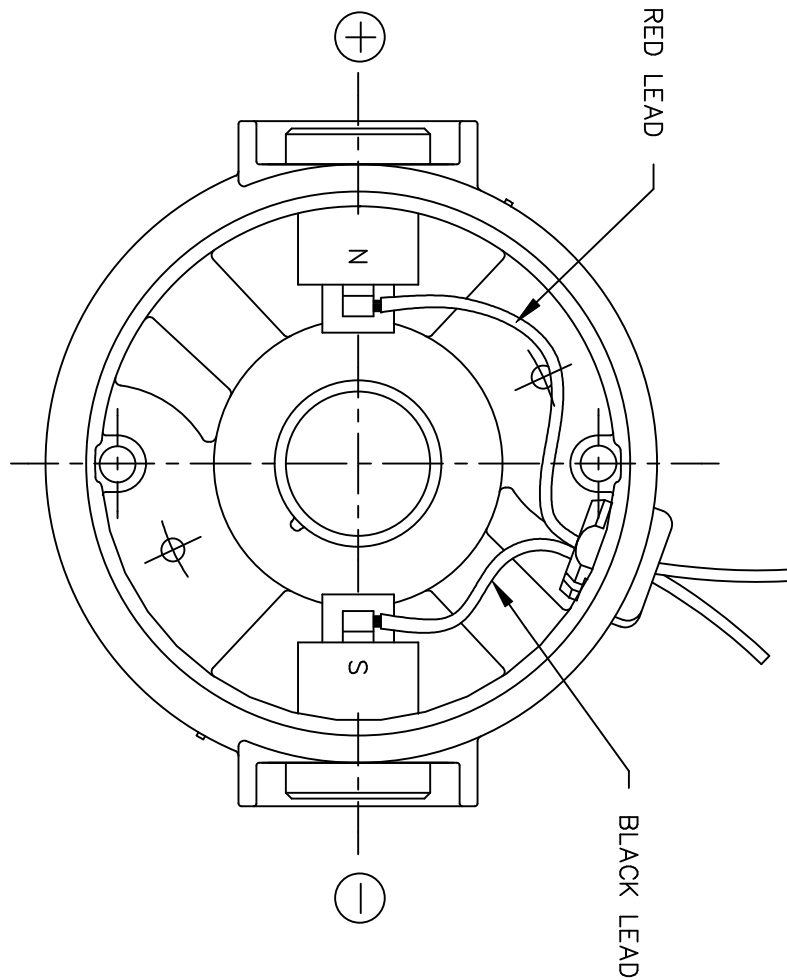
NOTES:

- 1) GASKETS BETWEEN FRAME AND ENDBELL/GEARBOX, CONDUIT BOX AND FRAME, AND CONDUIT BOX COVER AND CONDUIT BOX.
- 2) NAMEPLATE MUST BE LOCATED .10 BELOW CONDUIT BOX EDGE.

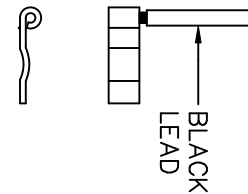
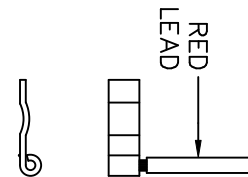
CATALOG NUMBER	OUTPUT RPM	FULL LOAD TORQUE LB.-IN.	INPUT HP	OVERHUNG LOAD LBS.	RATIO TO 1
M1125267.00	31	220	1/8	327	58


				TOLERANCES UNLESS SPECIFIED		 ELECTRIC MOTORS GEARMOTORS AND DRIVES		DRAWN IPG 5/12/05			
				DEC.	INCHES			CHK	SAD 5/12/05		
02	1/2 NPT CONDUIT PLUG QTY. WAS 3.	ISAAC 08-3457	RPB 7/29/08	BC	.X	±.1	TITLE	OUTLINE - 31 FRAME DC 12V - P300 GEARMOTOR	APPD		
01	REMOVED (2) O-RINGS FROM INSIDE OF BRUSH HOLDERS.				.XX	±.03			SCALE	1=2	
	CHANGED BRUSH CAPS & ADDED TEFLON. ECN 07-4100		RPB 11/21/07	BC	.XXX	±.005			REF	M1030987.00	
00	RELEASED: REF. M1030987.00		IPG 5/12/05	SAD	.XXXX	±.0005	MAT'L	FMF	M1125267.00		
NO.	REVISION		BY & DATE	CHK	ANG	±1/2'	FINISH	PREV			
THIS DRAWING IN DESIGN AND DETAIL IS OUR PROPERTY AND MUST NOT BE USED EXCEPT IN CONNECTION WITH OUR WORK. ALL RIGHTS OF DESIGN AND INVENTION ARE RESERVED. THIS IS AN ELECTRONICALLY GENERATED DOCUMENT - DO NOT SCALE THIS PRINT				RFP			CAD FILE	M1030988	SIZE	DRAWING NO.	REV.
				DIST			B	M1030988.00		02	

D.C. MOTORS



EXTERNAL CONNECTIONS FOR CW ROTATION
 VIEWING LEAD END OF MOTOR WITH RED LEAD
 POSITIVE (+) AND BLACK LEAD NEGATIVE (-)
 FOR CCW ROTATION REVERSE POLARITY



				TOLERANCES UNLESS SPECIFIED		 ELECTRIC MOTORS GEARMOTORS AND DRIVES	DRAWN IPG 5/2/05 CHK SAD 5/2/05 APPD SCALE 1=1 REF M1005308.01 FMF M1125275.00 PREV
				DEC.	INCHES		TITLE CONNECTION DIAGRAM MAT'L. FINISH
				.X	±.1		
				.XX	±.01		
				.XXX	±.005		
00	RELEASED: REF. M1005308.01	IPG 5/2/05	SAD	.XXXX	±.0005	CAD FILE M100530901	SIZE A DRAWING NO. M1005309.01 REV. 00
NO.	REVISION	BY & DATE	CHK	ANG	±1/2"	RFP DIST	

THIS DRAWING IN DESIGN AND DETAIL IS OUR PROPERTY AND MUST NOT BE USED EXCEPT IN CONNECTION WITH OUR WORK ALL RIGHTS OF DESIGN AND INVENTION ARE RESERVED THIS IS AN ELECTRONICALLY GENERATED DOCUMENT - DO NOT SCALE THIS PRINT