

PRODUCT INFORMATION PACKET



Model No: CM31D17VZ9A

Catalog No: M1125265.00

P300.PARALLEL..11:1.167RPM.43LBIN.1/8HP.31..DOUBLE.WASHGUARD.90V.DC.TENV.CM31D17VZ9A
P300 Series



Regal and Leeson are trademarks of Regal Beloit Corporation or one of its affiliated companies.

©2018 Regal Beloit Corporation, All Rights Reserved. MC017097E





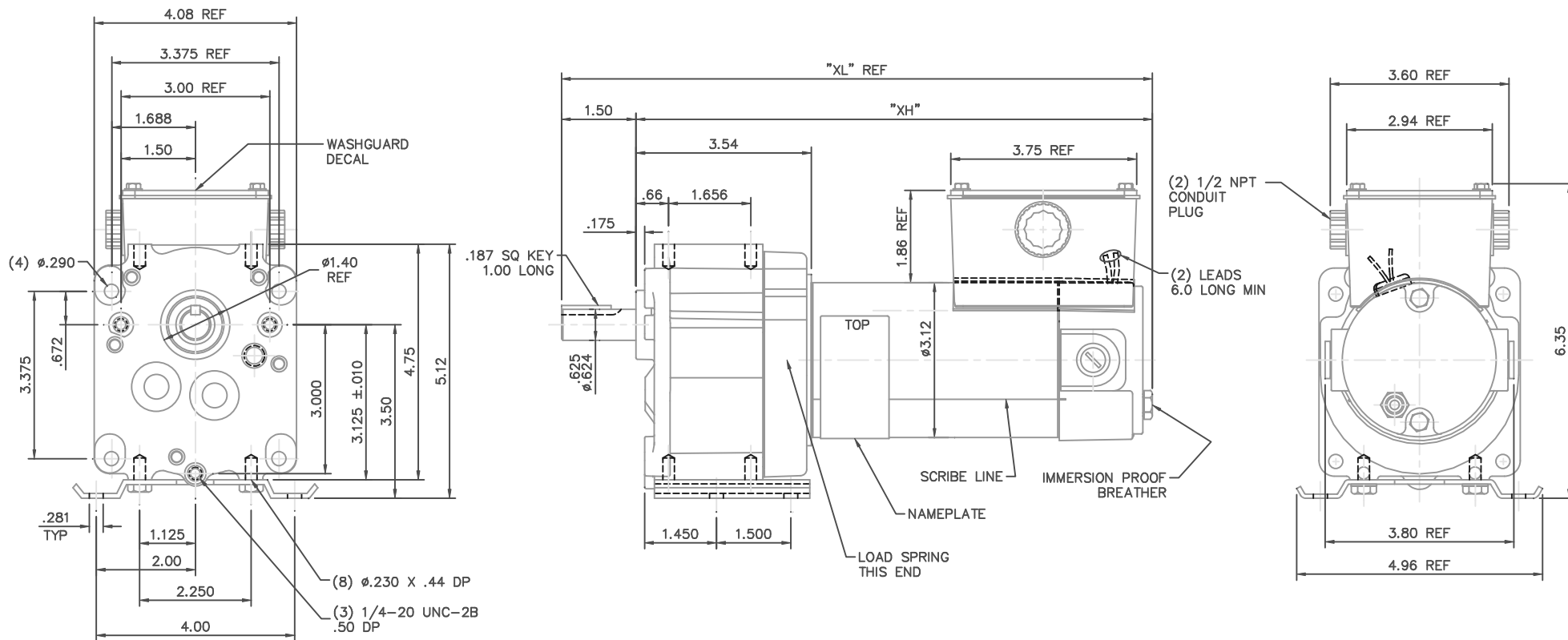
Nameplate Specifications

Output HP	0.13 Hp	Output KW	0.10 kW
Voltage	90 V	Current	1.6 A
Speed	167 rpm	Service Factor	1
Efficiency	60.3 %	Duty	Continuous
Insulation Class	F	Frame	31
Enclosure	Totally Enclosed Non Ventilated	Overload Protector	No
Ambient Temperature	40 °C	Drive End Bearing Size	6201
Opp Drive End Bearing Size	6201	UL	Recognized
CSA	Y	CE	Y

Technical Specifications

Rotation	Reversible	Mounting	Special
Shaft Type	Parallel	Overall Length	11.94 in
Frame Length	4.94 in	Shaft Diameter	0.625 in
Shaft Extension	1.5 in		
Outline Drawing	M1030987-M1125265	Connection Diagram	M100530901

This is an uncontrolled document once printed or downloaded and is subject to change without notice. Date Created: 10/15/2018



- NOTES:
 1) GASKETS BETWEEN FRAME AND ENDBELL/GEARBOX, CONDUIT BOX AND FRAME, AND CONDUIT BOX COVER AND CONDUIT BOX.
 2) NAMEPLATE MUST BE LOCATED .10 BELOW CONDUIT BOX EDGE.

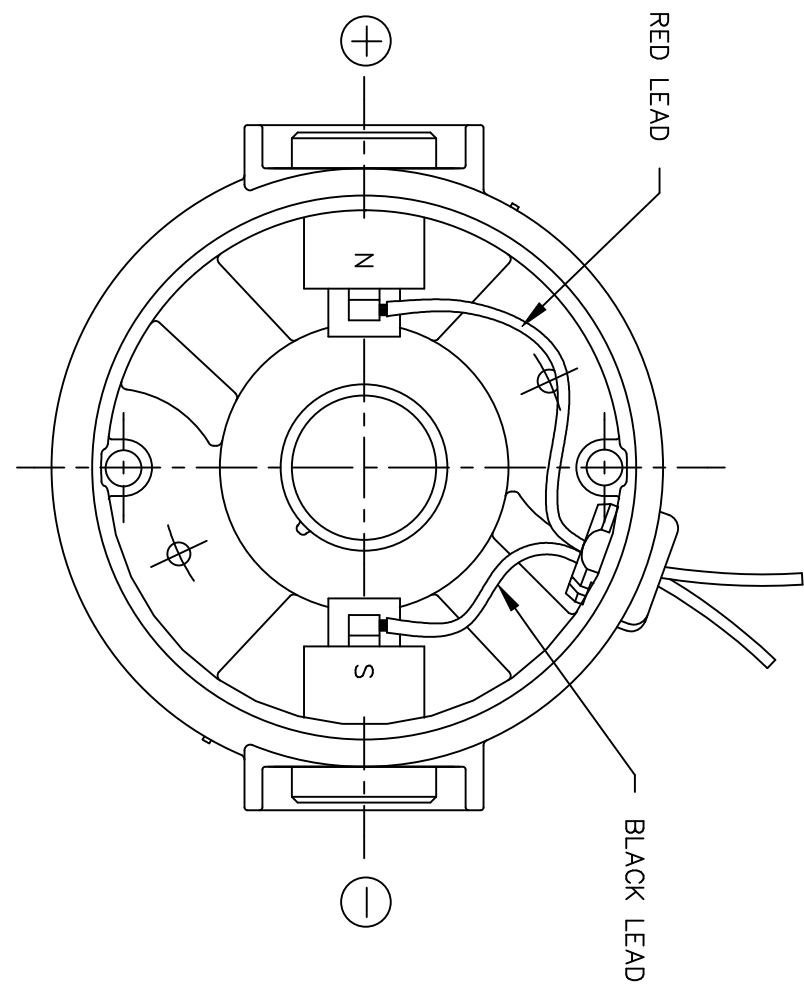
CATALOG NUMBER	VOLTS	OUTPUT RPM	FULL LOAD TORQUE LB.-IN.	INPUT HP	OVERHUNG LOAD LBS.	RATIO TO 1	"XH"	"XL"
M1125261.00	90	5	353	1/20	565	336	8.94	10.44
M1125262.00	90	31	220	1/8	327	58	10.44	11.94
M1125263.00	90	51	130	1/8	277	35	10.44	11.94
M1125264.00	90	94	77	1/8	236	19	10.44	11.94
M1125265.00	90	167	43	1/8	197	11	10.44	11.94
M1125266.00	12	5	353	1/20	565	336	8.94	10.44

NO.		REVISION	BY & DATE	CHK	ANG	FINISH	PREV
02	1/2 NPT CONDUIT PLUG QTY. WAS 3. ISAAC 08-3457	RPB	7/29/08	BC	.XX	±.03	TITLE
01	ADDED ITEM M1125266.00 TO TABLE PER FIRST RUN	IPG	5/11/05	SAD	.XXX	±.005	TITLE
00	RELEASED: REF. PR040119-RD1	IPG	5/6/05	SAD	.XXXX	±.0005	MAT'L
				CHK	ANG	±1/2'	FINISH

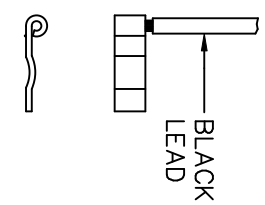
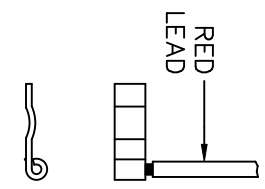
THIS DRAWING IN DESIGN AND DETAIL IS OUR PROPERTY AND MUST NOT BE USED EXCEPT IN CONNECTION WITH OUR WORK ALL RIGHTS OF DESIGN AND INVENTION ARE RESERVED THIS IS AN ELECTRONICALLY GENERATED DOCUMENT - DO NOT SCALE THIS PRINT		RFP	CAD FILE	M1030987	SIZE	DRAWING NO.	REV.
		DIST			B	M1030987.00	02


TOLERANCES UNLESS SPECIFIED		ELECTRIC MOTORS GEARMOTORS AND DRIVES	DRAWN	IPG 5/6/05
DEC.	INCHES		CHK	SAD 5/6/05
.X	±.1	TITLE 31 FRAME DC - P300 GEARMOTOR	APPD	
.XX	±.03		SCALE	1=2
.XXX	±.005		REF	PR040119-RD1
.XXXX	±.0005		FMF	M1125262.00

D.C. MOTORS



EXTERNAL CONNECTIONS FOR CW ROTATION
 VIEWING LEAD END OF MOTOR WITH RED LEAD
 POSITIVE (+) AND BLACK LEAD NEGATIVE (-)
 FOR CCW ROTATION REVERSE POLARITY



				TOLERANCES UNLESS SPECIFIED		 ELECTRIC MOTORS GEARMOTORS AND DRIVES	DRAWN	IPG 5/2/05		
				DEC.	INCHES		CHK	SAD 5/2/05		
				.X	±.1		APPD			
				.XX	±.01		TITLE	SCALE 1=1		
				.XXX	±.005		CONNECTION DIAGRAM	REF M1005308.01		
00	RELEASED: REF. M1005308.01	IPG 5/2/05	SAD	.XXXX	±.0005	MAT'L.	FMF	M1125275.00		
NO.	REVISION	BY & DATE	CHK	ANG	±1/2"	FINISH	PREV			
THIS DRAWING IN DESIGN AND DETAIL IS OUR PROPERTY AND MUST NOT BE USED EXCEPT IN CONNECTION WITH OUR WORK ALL RIGHTS OF DESIGN AND INVENTION ARE RESERVED THIS IS AN ELECTRONICALLY GENERATED DOCUMENT - DO NOT SCALE THIS PRINT				RFP		CAD FILE	M100530901	SIZE	DRAWING NO.	REV.
				DIST				A	M1005309.01	00