

# PRODUCT INFORMATION PACKET



Model No: CM31D17VZ8A

Catalog No: M1125264.00

P300.PARALLEL..19:1.94RPM.77LBIN.1/8HP.31..DOUBLE.WASHGUARD.90V.DC.TENV.CM31D17VZ8A  
P300 Series



Regal and Leeson are trademarks of Regal Beloit Corporation or one of its affiliated companies.

©2018 Regal Beloit Corporation, All Rights Reserved. MC017097E





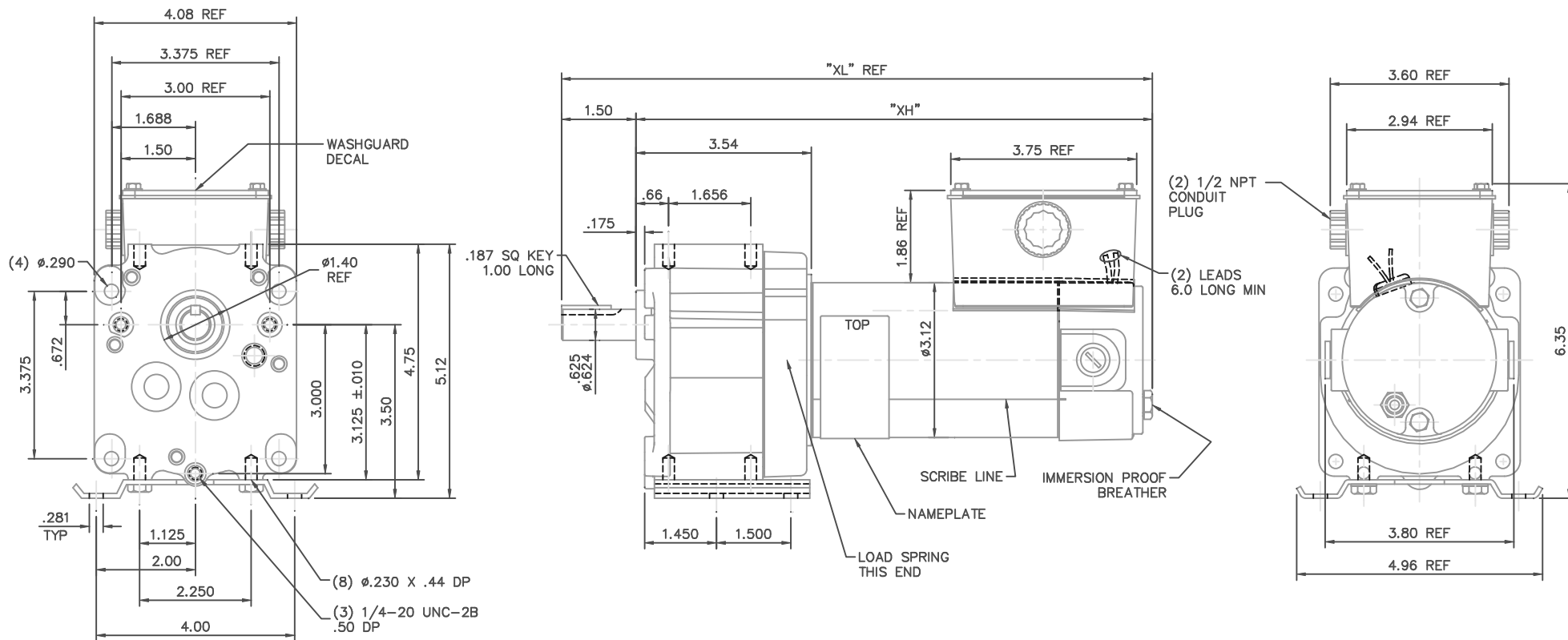
### Nameplate Specifications

Output HP	<b>0.13 Hp</b>	Output KW	<b>0.10 kW</b>
Voltage	<b>90 V</b>	Current	<b>1.6 A</b>
Speed	<b>94 rpm</b>	Service Factor	<b>1</b>
Efficiency	<b>60.2 %</b>	Duty	<b>Continuous</b>
Insulation Class	<b>F</b>	Frame	<b>31</b>
Enclosure	<b>Totally Enclosed Non Ventilated</b>	Overload Protector	<b>No</b>
Ambient Temperature	<b>40 °C</b>	Drive End Bearing Size	<b>6201</b>
Opp Drive End Bearing Size	<b>6201</b>	UL	<b>Recognized</b>
CSA	<b>Y</b>	CE	<b>Y</b>

### Technical Specifications

Rotation	<b>Reversible</b>	Mounting	<b>Special</b>
Shaft Type	<b>Parallel</b>	Overall Length	<b>11.94 in</b>
Frame Length	<b>4.94 in</b>	Shaft Diameter	<b>0.625 in</b>
Shaft Extension	<b>1.5 in</b>		
Outline Drawing	<b>M1030987-M1125264</b>	Connection Diagram	<b>M100530901</b>

**This is an uncontrolled document once printed or downloaded and is subject to change without notice. Date Created: 10/15/2018**



- NOTES:  
 1) GASKETS BETWEEN FRAME AND ENDBELL/GEARBOX, CONDUIT BOX AND FRAME, AND CONDUIT BOX COVER AND CONDUIT BOX.  
 2) NAMEPLATE MUST BE LOCATED .10 BELOW CONDUIT BOX EDGE.

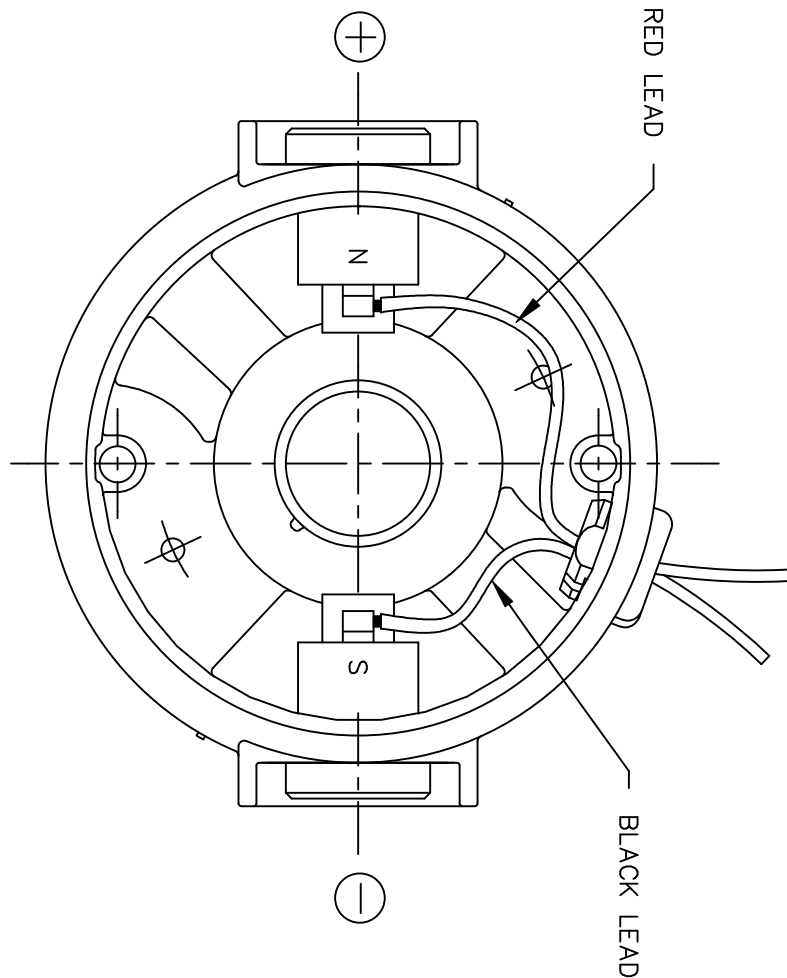
CATALOG NUMBER	VOLTS	OUTPUT RPM	FULL LOAD TORQUE LB.-IN.	INPUT HP	OVERHUNG LOAD LBS.	RATIO TO 1	"XH"	"XL"
M1125261.00	90	5	353	1/20	565	336	8.94	10.44
M1125262.00	90	31	220	1/8	327	58	10.44	11.94
M1125263.00	90	51	130	1/8	277	35	10.44	11.94
M1125264.00	90	94	77	1/8	236	19	10.44	11.94
M1125265.00	90	167	43	1/8	197	11	10.44	11.94
M1125266.00	12	5	353	1/20	565	336	8.94	10.44

NO.		REVISION	BY & DATE	CHK	ANG	±1/2"	FINISH	PREV
02		1/2 NPT CONDUIT PLUG QTY. WAS 3. ISAAC 08-3457	RPB 7/29/08	BC	.XX	±.03	TITLE	1=2
01		ADDED ITEM M1125266.00 TO TABLE PER FIRST RUN	IPG 5/11/05	SAD	.XXX	±.005	31 FRAME DC - P300 GEARMOTOR	PR040119-RD1
00		RELEASED: REF. PR040119-RD1	IPG 5/6/05	SAD	.XXXX	±.0005	MAT'L	FMF M1125262.00
NO.		REVISION	BY & DATE	CHK	ANG	±1/2"	FINISH	PREV
THIS DRAWING IN DESIGN AND DETAIL IS OUR PROPERTY AND MUST NOT BE USED EXCEPT IN CONNECTION WITH OUR WORK ALL RIGHTS OF DESIGN AND INVENTION ARE RESERVED THIS IS AN ELECTRONICALLY GENERATED DOCUMENT - DO NOT SCALE THIS PRINT								REV.
				RFP	CAD FILE		M1030987	SIZE
				DIST			B	DRAWING NO.
							M1030987.00	02

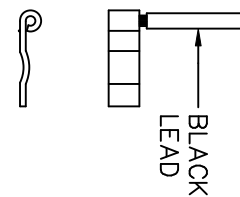
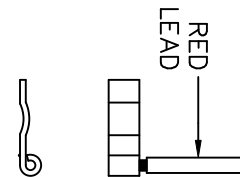



ELECTRIC MOTORS  
GEARMOTORS  
AND DRIVES

D.C. MOTORS



EXTERNAL CONNECTIONS FOR CW ROTATION  
 VIEWING LEAD END OF MOTOR WITH RED LEAD  
 POSITIVE (+) AND BLACK LEAD NEGATIVE (-)  
 FOR CCW ROTATION REVERSE POLARITY



				TOLERANCES UNLESS SPECIFIED		 ELECTRIC MOTORS GEARMOTORS AND DRIVES	DRAWN	IPG 5/2/05		
				DEC.	INCHES		CHK	SAD 5/2/05		
				.X	±.1		APPD			
				.XX	±.01		SCALE	1=1		
				.XXX	±.005		REF	M1005308.01		
00	RELEASED: REF. M1005308.01	IPG 5/2/05	SAD	.XXXX	±.0005	MAT'L.	FMF	M1125275.00		
NO.	REVISION	BY & DATE	CHK	ANG	±1/2"	FINISH	PREV			
THIS DRAWING IN DESIGN AND DETAIL IS OUR PROPERTY AND MUST NOT BE USED EXCEPT IN CONNECTION WITH OUR WORK ALL RIGHTS OF DESIGN AND INVENTION ARE RESERVED THIS IS AN ELECTRONICALLY GENERATED DOCUMENT - DO NOT SCALE THIS PRINT				RFP		CAD FILE	M100530901	SIZE	DRAWING NO.	REV.
				DIST				A	M1005309.01	00