

PRODUCT INFORMATION PACKET



Model No: 985.695B
Catalog No: M1125254.00
..1/8HP..24RPM.30.TENV.12V..DC.....985.695B.OS300.IN-LINE..76:1...280LBIN..TRIPLE....
OS300 Series



Regal and Leeson are trademarks of Regal Beloit Corporation or one of its affiliated companies.
©2018 Regal Beloit Corporation, All Rights Reserved. MC017097E





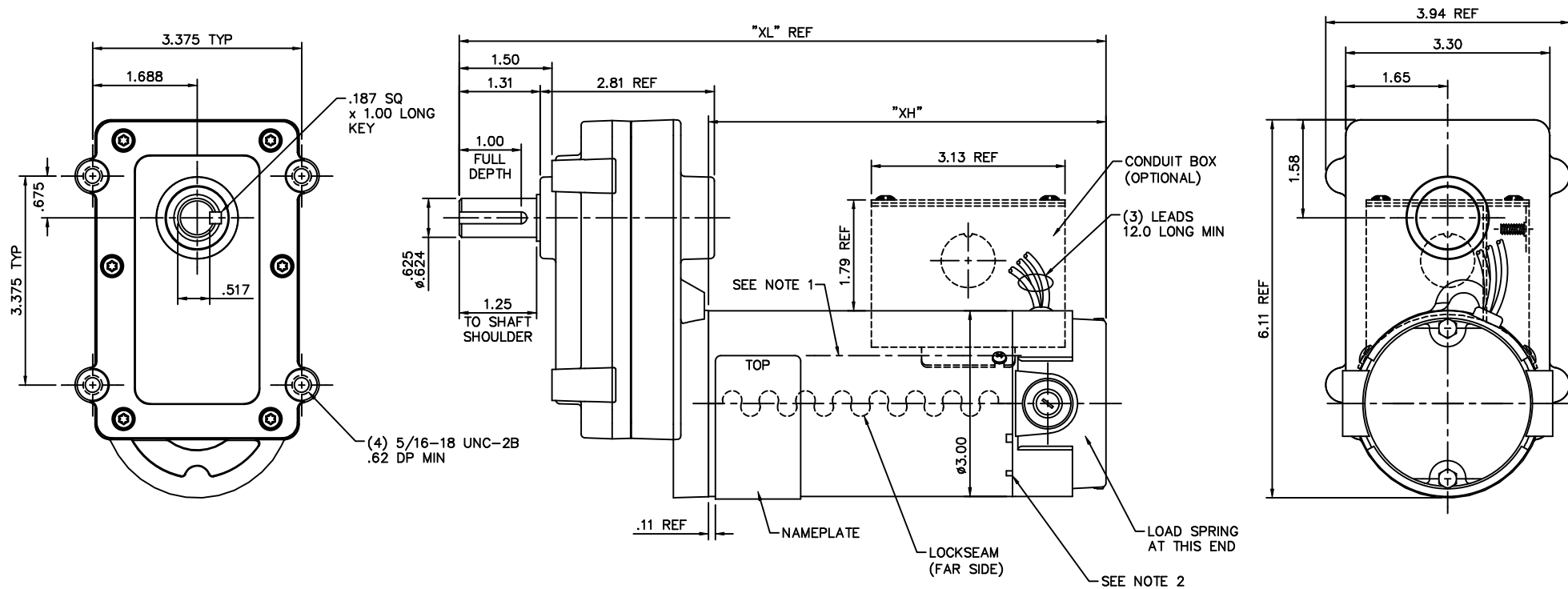
Nameplate Specifications

Output HP	0.13 Hp	Output KW	0.10 kW
Voltage	12 V	Current	10.6 A
Speed	24 rpm	Service Factor	1
Efficiency	60.5 %	Duty	Continuous
Insulation Class	F	Frame	30
Enclosure	Totally Enclosed Non Ventilated	Overload Protector	No
Ambient Temperature	40 °C	Drive End Bearing Size	608
Opp Drive End Bearing Size	6000	UL	Recognized
CSA	Y	CE	N

Technical Specifications


Rotation	Reversible	Mounting	Special
Shaft Type	Parallel	Overall Length	10.45 in
Frame Length	4.91 in	Shaft Diameter	0.625 in
Shaft Extension	1.31 in		
Outline Drawing	M1030931-M1125254	Connection Diagram	M100527301

This is an uncontrolled document once printed or downloaded and is subject to change without notice. Date Created: 10/15/2018

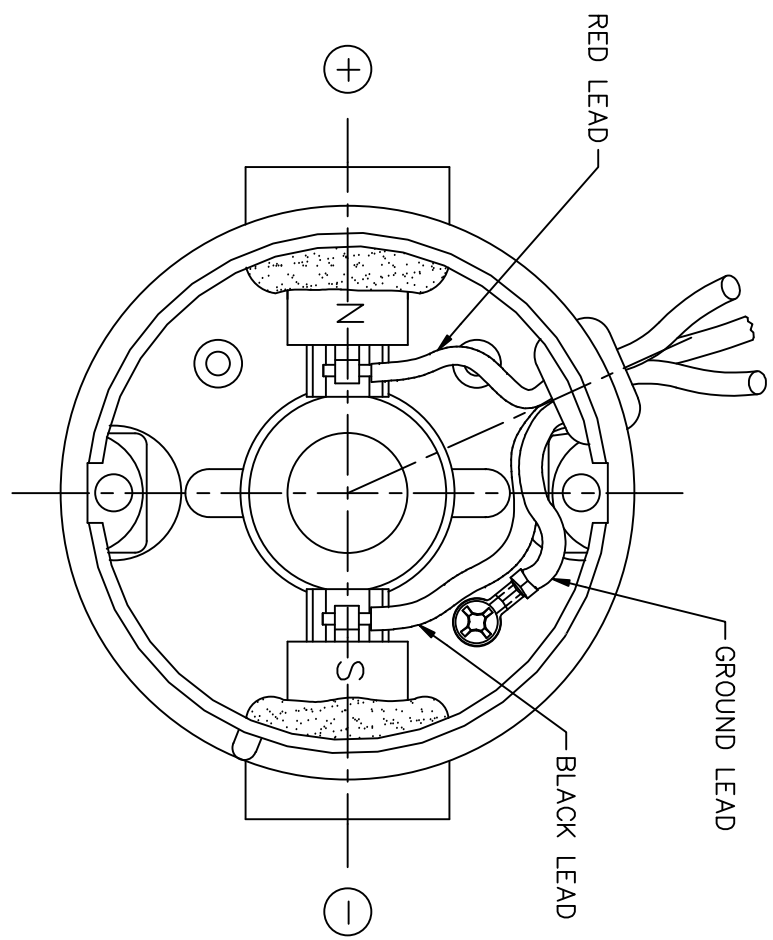


NOTES:
 1. NAMEPLATE MUST BE IN LINE WITH HOLE WITHIN .06".
 2. THIS NOTCH IS NOT PRESENT IN 1/20 HP DESIGNS.

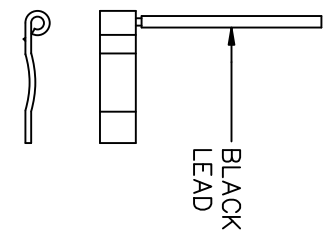
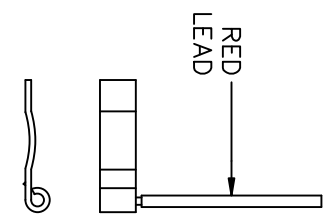
CATALOG NUMBER	OUTPUT RPM	FULL LOAD TORQUE LB.-IN.	F.L. AMPS	INPUT HP	VOLTAGE (VOLTS)	RATIO TO 1	"XH"	"XL"
M1125247.00	51	130	1.4	1/8	90	35	6.42	10.45
M1125248.00	31	220	1.4	1/8	90	58	6.42	10.45
M1125249.00	24	280	1.3	1/8	90	76	6.42	10.45
M1125250.00	18	150	.56	1/20	90	103	4.50	8.52
M1125251.00	9	268	.54	1/20	90	210	4.50	8.52
M1125252.00	51	130	10.3	1/8	12	35	6.42	10.45
M1125253.00	31	220	10.6	1/8	12	58	6.42	10.45
M1125254.00	24	280	10.6	1/8	12	76	6.42	10.45
M1125255.00	18	150	5.0	1/20	12	103	4.50	8.52
M1125256.00	9	268	4.5	1/20	12	210	4.50	8.52

03	ADDED CAT. # M1125255.00 & M1125256.00 TO TABLE, PER FIRST RUN	IPG 6/24/04	SAD	TOLERANCES UNLESS SPECIFIED	DEC. INCHES	 ELECTRIC MOTORS GEARMOTORS AND DRIVES	DRAWN IPG 6/10/04
02	ADDED CAT. # M1125252.00, M1125253.00 & M1125254.00 TO TABLE, PER FIRST RUN	IPG 6/23/04	SAD	.X ±.03	TITLE		CHK SAD 6/10/04
01	ADDED CAT. # M1125250.00 & M1125251.00 TO TABLE, PER FIRST RUN	IPG 6/16/04	SAD	.XXX ±.005	30 FRAME DC - OS300 GEARBOX	APPD	SCALE 5=8
	ADDED NOTE 2, PER FIRST RUN			.XXXX ±.0005	MAT'L	REF	PR030382
NO.	REVISION	BY & DATE	CHK	ANG ±1/2"	FINISH	FMF	M1125247.00
THIS DRAWING IN DESIGN AND DETAIL IS OUR PROPERTY AND MUST NOT BE USED EXCEPT IN CONNECTION WITH OUR WORK ALL RIGHTS OF DESIGN AND INVENTION ARE RESERVED THIS IS AN ELECTRONICALLY GENERATED DOCUMENT - DO NOT SCALE THIS PRINT						CAD FILE	M1030931
						SIZE	DRAWING NO.
						B	M1030931.00
						DIST	REV. 03

DC MOTORS



EXTERNAL CONNECTIONS FOR CW ROTATION
VIEWING LEAD END OF MOTOR WITH RED LEAD
POSITIVE AND BLACK LEAD NEGATIVE (-)
FOR CCW ROTATION REVERSE POLARITY



				TOLERANCES UNLESS SPECIFIED		LEESON	ELECTRIC MOTORS GEARMOTORS AND DRIVES	DRAWN	SMB 01/16/04		
02	SWITCHED BLACK & RED LEADS, REMOVED "TRU-TORQ"	IPG	11/10/10	DEC.	INCHES			CHK	IPG 01/16/04		
	FROM TITLE BLOCK, ISAAC 10-4699			.X	±.1	APPD					
01	ADDED "TRU-TORQ" TO THE TITLE BLOCK AND ORACLE	IPG	3/2/2004	SAD	.XX	TITLE	CONNECTION DIAGRAM		SCALE	1=1	
	DESCRIPTION, ECR 83990				.XXX				REF		
00	RELEASED: REF. PR030668	SMB	01/16/04	IPG	.XXXX	MAT'L.			FMF	M1125242.00	
NO.	REVISION	BY & DATE		CHK	ANG	FINISH			PREV		
THIS DRAWING IN DESIGN AND DETAIL IS OUR PROPERTY AND MUST NOT BE USED EXCEPT IN CONNECTION WITH OUR WORK ALL RIGHTS OF DESIGN AND INVENTION ARE RESERVED THIS IS AN ELECTRONICALLY GENERATED DOCUMENT - DO NOT SCALE THIS PRINT				RFP	CAD FILE			M100527301	SIZE	DRAWING NO.	
				DIST					A	M1005273.01	