

# PRODUCT INFORMATION PACKET



Model No: 985.694B  
Catalog No: M1125253.00  
..1/8HP..31RPM.30.TENV.12V..DC.....985.694B.OS300.IN-LINE..58:1...220LBIN..TRIPLE....  
OS300 Series



Regal and Leeson are trademarks of Regal Beloit Corporation or one of its affiliated companies.  
©2018 Regal Beloit Corporation, All Rights Reserved. MC017097E





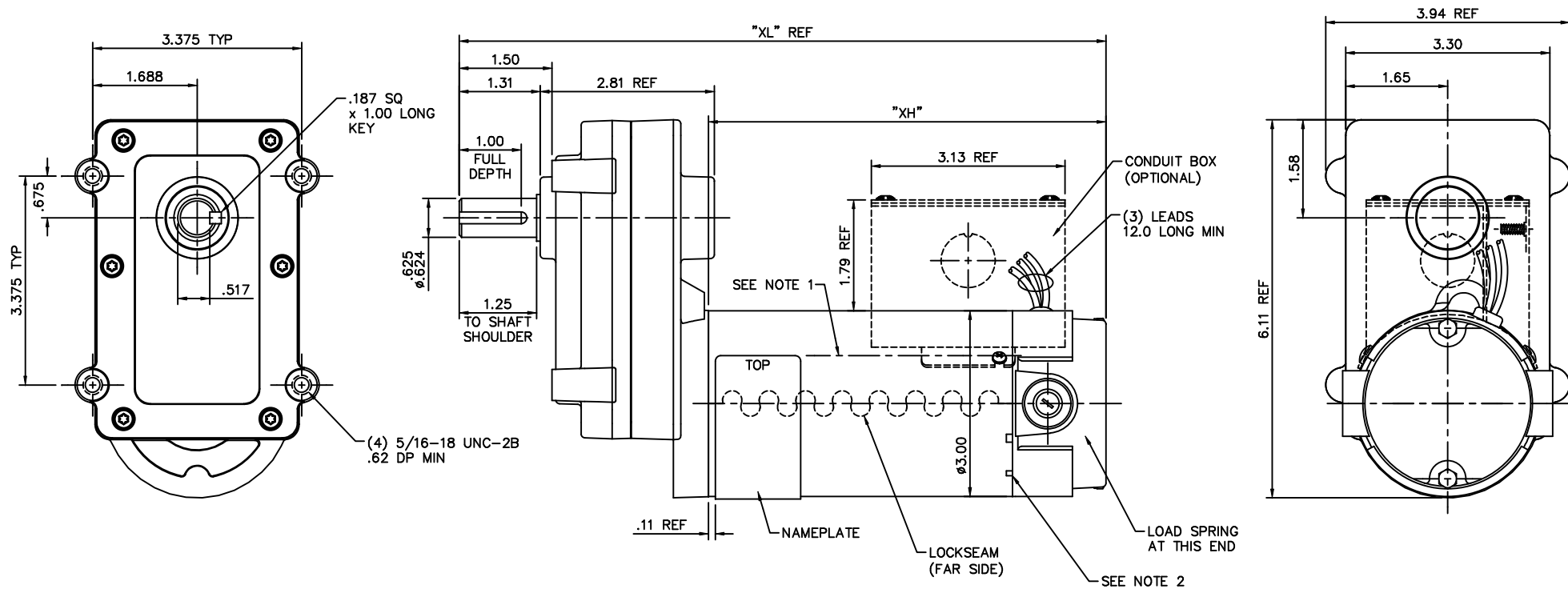
### Nameplate Specifications

Output HP	<b>0.13 Hp</b>	Output KW	<b>0.10 kW</b>
Voltage	<b>12 V</b>	Current	<b>10.6 A</b>
Speed	<b>31 rpm</b>	Service Factor	<b>1</b>
Efficiency	<b>60.4 %</b>	Duty	<b>Continuous</b>
Insulation Class	<b>F</b>	Frame	<b>30</b>
Enclosure	<b>Totally Enclosed Non Ventilated</b>	Overload Protector	<b>No</b>
Ambient Temperature	<b>40 °C</b>	Drive End Bearing Size	<b>608</b>
Opp Drive End Bearing Size	<b>6000</b>	UL	<b>Recognized</b>
CSA	<b>Y</b>	CE	<b>N</b>

### Technical Specifications

Rotation	<b>Reversible</b>	Mounting	<b>Special</b>
Shaft Type	<b>Parallel</b>	Overall Length	<b>10.45 in</b>
Frame Length	<b>4.91 in</b>	Shaft Diameter	<b>0.625 in</b>
Shaft Extension	<b>1.31 in</b>		
Outline Drawing	<b>M1030931-M1125253</b>	Connection Diagram	<b>M100527301</b>

**This is an uncontrolled document once printed or downloaded and is subject to change without notice. Date Created: 10/15/2018**

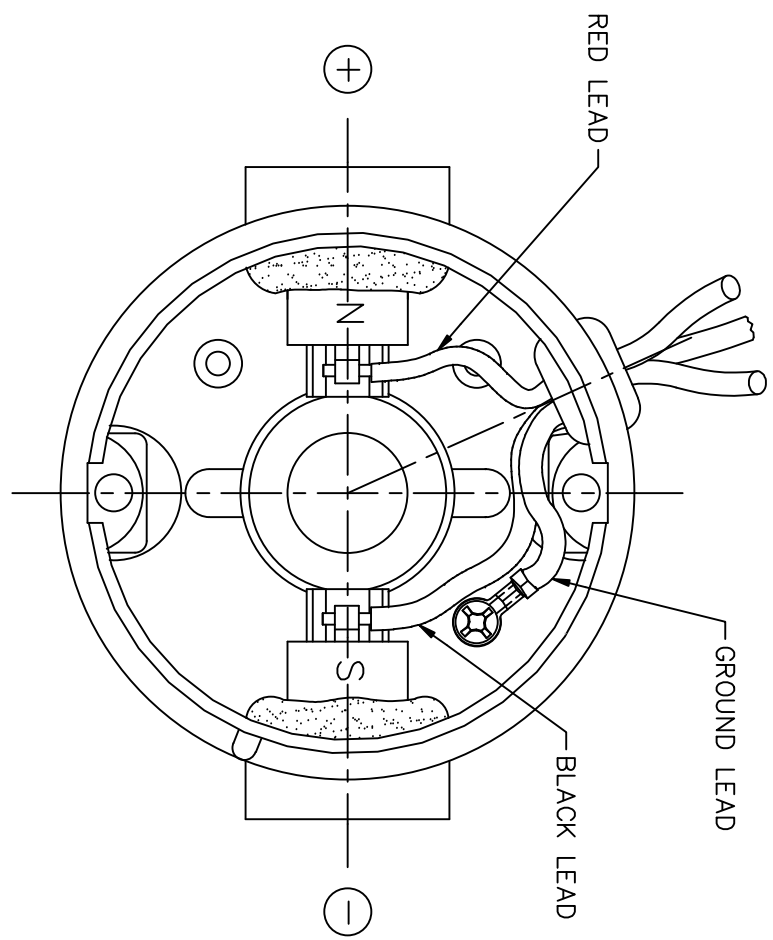


NOTES:  
 1. NAMEPLATE MUST BE IN LINE WITH HOLE WITHIN .06".  
 2. THIS NOTCH IS NOT PRESENT IN 1/20 HP DESIGNS.

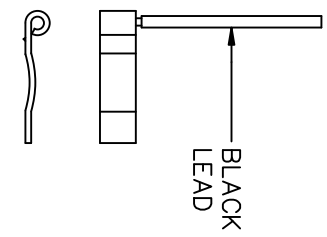
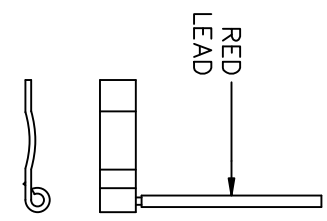
CATALOG NUMBER	OUTPUT RPM	FULL LOAD TORQUE LB.-IN.	F.L. AMPS	INPUT HP	VOLTAGE (VOLTS)	RATIO TO 1	"XH"	"XL"
M1125247.00	51	130	1.4	1/8	90	35	6.42	10.45
M1125248.00	31	220	1.4	1/8	90	58	6.42	10.45
M1125249.00	24	280	1.3	1/8	90	76	6.42	10.45
M1125250.00	18	150	.56	1/20	90	103	4.50	8.52
M1125251.00	9	268	.54	1/20	90	210	4.50	8.52
M1125252.00	51	130	10.3	1/8	12	35	6.42	10.45
M1125253.00	31	220	10.6	1/8	12	58	6.42	10.45
M1125254.00	24	280	10.6	1/8	12	76	6.42	10.45
M1125255.00	18	150	5.0	1/20	12	103	4.50	8.52
M1125256.00	9	268	4.5	1/20	12	210	4.50	8.52

03	ADDED CAT. # M1125255.00 & M1125256.00 TO TABLE, PER FIRST RUN	IPG 6/24/04	SAD	TOLERANCES UNLESS SPECIFIED	DEC. INCHES	ELECTRIC MOTORS GEARMOTORS AND DRIVES	DRAWN IPG 6/10/04
02	ADDED CAT. # M1125252.00, M1125253.00 & M1125254.00 TO TABLE, PER FIRST RUN	IPG 6/23/04	SAD	.X ±.03	TITLE		CHK SAD 6/10/04
01	ADDED CAT. # M1125250.00 & M1125251.00 TO TABLE, PER FIRST RUN	IPG 6/16/04	SAD	.XXX ±.005	30 FRAME DC - OS300 GEARBOX	APPD	SCALE 5=8
	ADDED NOTE 2, PER FIRST RUN			.XXXX ±.0005	MAT'L	REF	PR030382
NO.	REVISION	BY & DATE	CHK	ANG ±1/2"	FINISH	FMF	M1125247.00
THIS DRAWING IN DESIGN AND DETAIL IS OUR PROPERTY AND MUST NOT BE USED EXCEPT IN CONNECTION WITH OUR WORK ALL RIGHTS OF DESIGN AND INVENTION ARE RESERVED THIS IS AN ELECTRONICALLY GENERATED DOCUMENT - DO NOT SCALE THIS PRINT						CAD FILE	M1030931
						RFP	SIZE
						DIST	DRAWING NO.
							B
							M1030931.00
							REV.
							03

DC MOTORS



EXTERNAL CONNECTIONS FOR CW ROTATION  
VIEWING LEAD END OF MOTOR WITH RED LEAD  
POSITIVE AND BLACK LEAD NEGATIVE (-)  
FOR CCW ROTATION REVERSE POLARITY



				TOLERANCES UNLESS SPECIFIED		<b>LEESON</b>	ELECTRIC MOTORS GEARMOTORS AND DRIVES	DRAWN	SMB 01/16/04	
02	SWITCHED BLACK & RED LEADS, REMOVED "TRU-TORQ" FROM TITLE BLOCK, ISAAC 10-4699	IPG	11/10/10	DEC.	INCHES			CHK	IPG 01/16/04	
01	ADDED "TRU-TORQ" TO THE TITLE BLOCK AND ORACLE DESCRIPTION, ECR 83990	IPG	3/2/2004	SAD	.XX	±.01	TITLE	CONNECTION DIAGRAM		
00	RELEASED: REF. PR030668	SMB	01/16/04	IPG	.XXX	±.005	MAT'L.	SCALE	1=1	
NO.	REVISION	BY & DATE	CHK	ANG	±1/2"	FINISH		REF		
THIS DRAWING IN DESIGN AND DETAIL IS OUR PROPERTY AND MUST NOT BE USED EXCEPT IN CONNECTION WITH OUR WORK ALL RIGHTS OF DESIGN AND INVENTION ARE RESERVED THIS IS AN ELECTRONICALLY GENERATED DOCUMENT - DO NOT SCALE THIS PRINT				RFP	CAD FILE			M100527301	SIZE	DRAWING NO.
				DIST				A	M1005273.01	REV.
									02	