

# PRODUCT INFORMATION PACKET



Model No: 985.692B

Catalog No: M1125251.00

OS300.IN-LINE..210:1.9RPM.268LBIN.1/20HP.30..TRIPLE..90V.DC.TENV.985.692B

OS300 Series



Regal and Leeson are trademarks of Regal Beloit Corporation or one of its affiliated companies.

©2018 Regal Beloit Corporation, All Rights Reserved. MC017097E





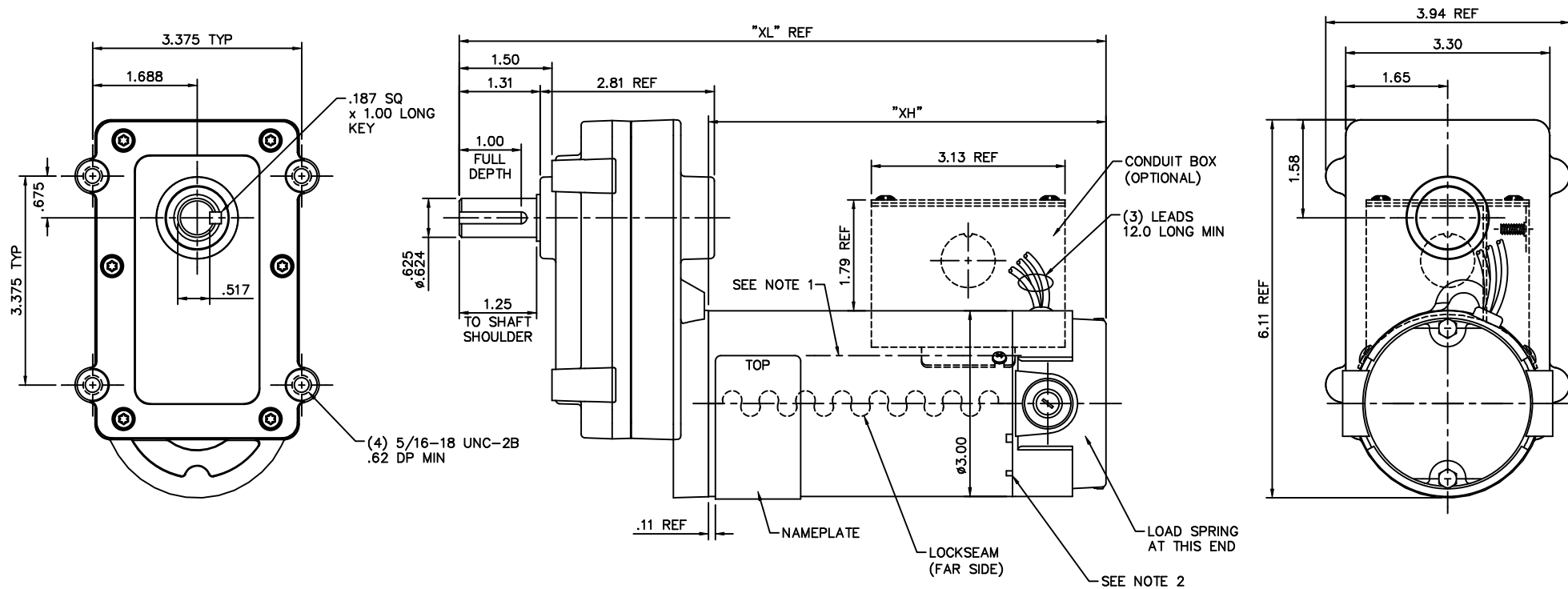
### Nameplate Specifications

Output HP	0.05 Hp	Output KW	0.04 kW
Voltage	90 V	Current	0.54 A
Speed	9 rpm	Service Factor	1
Efficiency	38.9 %	Duty	Continuous
Insulation Class	F	Frame	30
Enclosure	Totally Enclosed Non Ventilated	Overload Protector	No
Ambient Temperature	40 °C	Drive End Bearing Size	608
Opp Drive End Bearing Size	6000	UL	Recognized
CSA	Y	CE	Y

### Technical Specifications


Rotation	Reversible	Mounting	Special
Shaft Type	Parallel	Overall Length	8.52 in
Frame Length	2.99 in	Shaft Diameter	0.625 in
Shaft Extension	1.31 in		
Outline Drawing	M1030931-M1125251	Connection Diagram	M100530201

This is an uncontrolled document once printed or downloaded and is subject to change without notice. Date Created: 10/15/2018

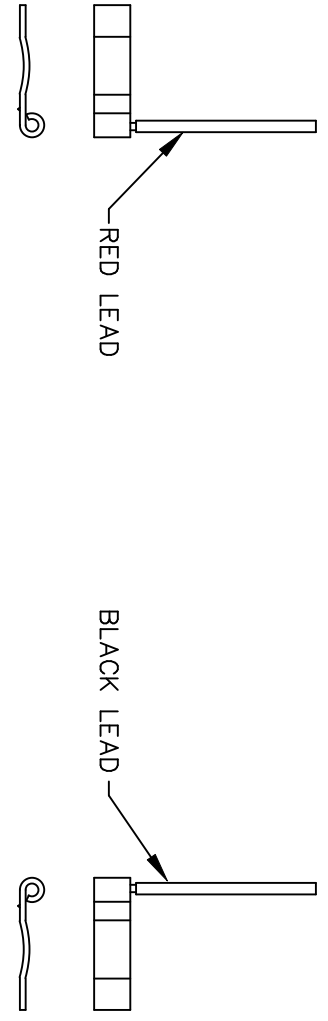
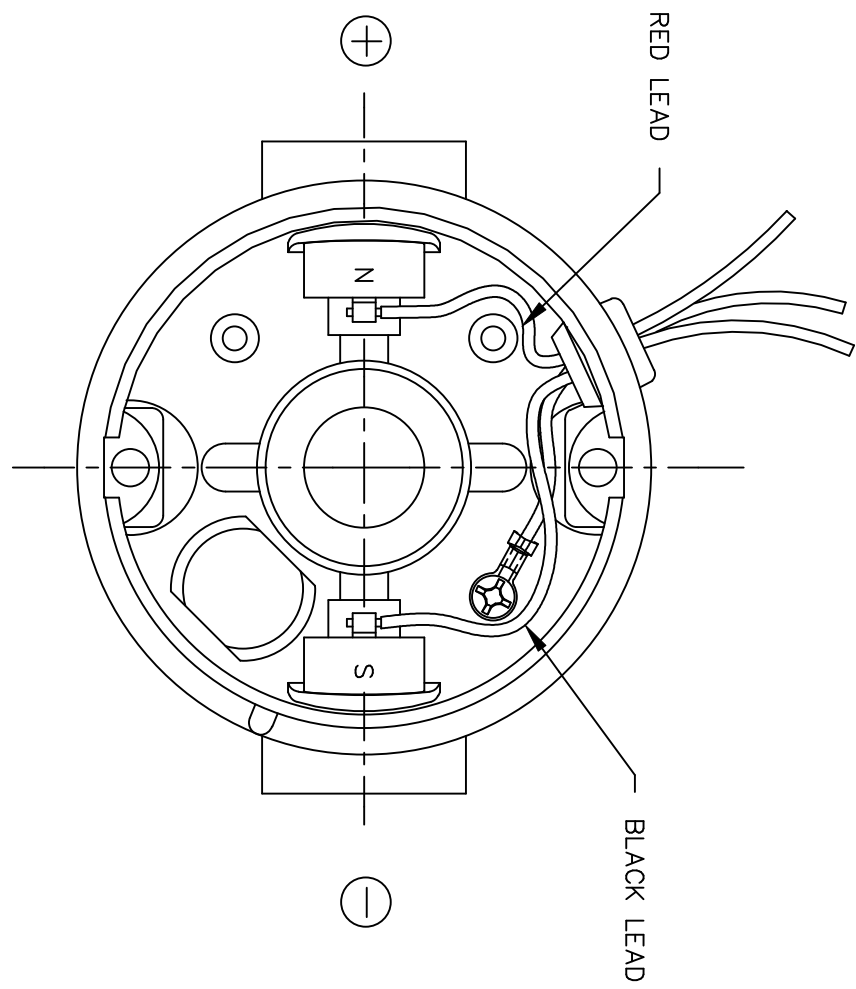


NOTES:  
 1. NAMEPLATE MUST BE IN LINE WITH HOLE WITHIN .06".  
 2. THIS NOTCH IS NOT PRESENT IN 1/20 HP DESIGNS.


CATALOG NUMBER	OUTPUT RPM	FULL LOAD TORQUE LB.-IN.	F.L. AMPS	INPUT HP	VOLTAGE (VOLTS)	RATIO TO 1	"XH"	"XL"
M1125247.00	51	130	1.4	1/8	90	35	6.42	10.45
M1125248.00	31	220	1.4	1/8	90	58	6.42	10.45
M1125249.00	24	280	1.3	1/8	90	76	6.42	10.45
M1125250.00	18	150	.56	1/20	90	103	4.50	8.52
M1125251.00	9	268	.54	1/20	90	210	4.50	8.52
M1125252.00	51	130	10.3	1/8	12	35	6.42	10.45
M1125253.00	31	220	10.6	1/8	12	58	6.42	10.45
M1125254.00	24	280	10.6	1/8	12	76	6.42	10.45
M1125255.00	18	150	5.0	1/20	12	103	4.50	8.52
M1125256.00	9	268	4.5	1/20	12	210	4.50	8.52

03	ADDED CAT. # M1125255.00 & M1125256.00 TO TABLE, PER FIRST RUN	IPG 6/24/04	SAD	TOLERANCES UNLESS SPECIFIED	DEC. INCHES	 ELECTRIC MOTORS GEARMOTORS AND DRIVES	DRAWN IPG 6/10/04			
02	ADDED CAT. # M1125252.00, M1125253.00 & M1125254.00 TO TABLE, PER FIRST RUN	IPG 6/23/04	SAD	.X ±.03	TITLE		CHK SAD 6/10/04			
01	ADDED CAT. # M1125250.00 & M1125251.00 TO TABLE, PER FIRST RUN	IPG 6/16/04	SAD	.XXX ±.005	30 FRAME DC - OS300 GEARBOX	APPD	SCALE 5=8			
	ADDED NOTE 2, PER FIRST RUN		CHK	.XXXX ±.0005	MAT'L	REF	PR030382			
NO.	REVISION	BY & DATE	CHK	ANG ±1/2"	FINISH	FMF	M1125247.00			
THIS DRAWING IN DESIGN AND DETAIL IS OUR PROPERTY AND MUST NOT BE USED EXCEPT IN CONNECTION WITH OUR WORK ALL RIGHTS OF DESIGN AND INVENTION ARE RESERVED THIS IS AN ELECTRONICALLY GENERATED DOCUMENT - DO NOT SCALE THIS PRINT						CAD FILE	M1030931	SIZE	DRAWING NO.	REV.
						DIST		B	M1030931.00	03

D.C. MOTORS



EXTERNAL CONNECTIONS FOR CW ROTATION  
 VIEWING LEAD END OF MOTOR WITH RED LEAD  
 POSITIVE (+) AND BLACK LEAD NEGATIVE (-)  
 FOR CCW ROTATION REVERSE POLARITY

				TOLERANCES UNLESS SPECIFIED		 ELECTRIC MOTORS GEARMOTORS AND DRIVES	DRAWN RWS 3/15/05 CHK RPB 3/15/05 APPD
				DEC.	INCHES		SCALE 1=1
				.X	±.1		REF 901.706
				.XX	±.01		FMF
				.XXX	±.005		PREV
00	RELEASED COMM CONVERSION PROJECT	RWS 4/13/05	RPB	.XXXX	±.0005	MAT'L.	
NO.	REVISION	BY & DATE	CHK	ANG	±1/2"	FINISH	
THIS DRAWING IN DESIGN AND DETAIL IS OUR PROPERTY AND MUST NOT BE USED EXCEPT IN CONNECTION WITH OUR WORK ALL RIGHTS OF DESIGN AND INVENTION ARE RESERVED THIS IS AN ELECTRONICALLY GENERATED DOCUMENT - DO NOT SCALE THIS PRINT				RFP		CAD FILE M100530201	SIZE A
				DIST		DRAWING NO. M1005302.01	REV. 00