

PRODUCT INFORMATION PACKET



Model No: 985.691B
Catalog No: M1125250.00
OS300.IN-LINE..103:1.19RPM.150LBIN.1/20HP.30..TRIPLE..90V.DC.TENV.985.691B
OS300 Series



Regal and Leeson are trademarks of Regal Beloit Corporation or one of its affiliated companies.
©2018 Regal Beloit Corporation, All Rights Reserved. MC017097E





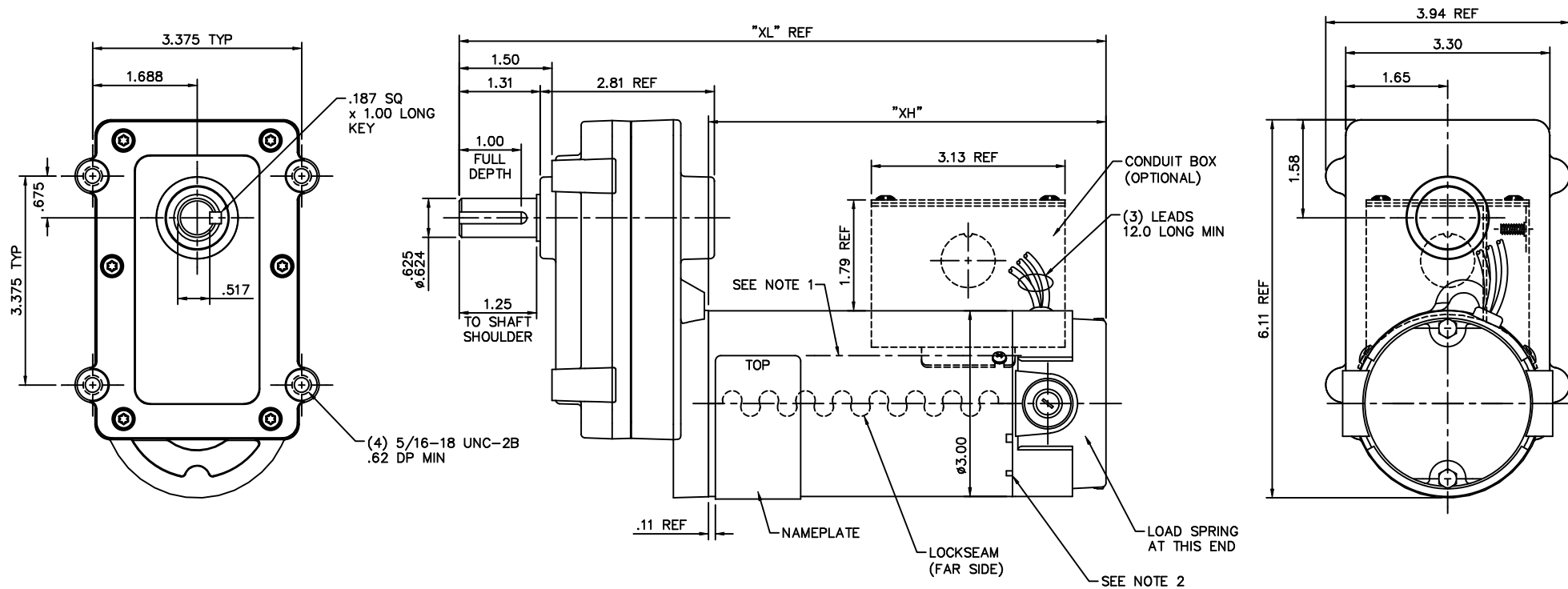
Nameplate Specifications

Output HP	0.05 Hp	Output KW	0.04 kW
Voltage	90 V	Current	0.80 A
Speed	19 rpm	Service Factor	1
Efficiency	40.9 %	Duty	Continuous
Insulation Class	F	Frame	30
Enclosure	Totally Enclosed Non Ventilated	Overload Protector	No
Ambient Temperature	40 °C	Drive End Bearing Size	608
Opp Drive End Bearing Size	6000	UL	Recognized
CSA	Y	CE	Y

Technical Specifications

Rotation	Reversible	Mounting	Special
Shaft Type	Parallel	Overall Length	8.52 in
Frame Length	2.99 in	Shaft Diameter	0.625 in
Shaft Extension	1.31 in		
Outline Drawing	M1030931-M1125250	Connection Diagram	M100530201

This is an uncontrolled document once printed or downloaded and is subject to change without notice. Date Created: 10/15/2018

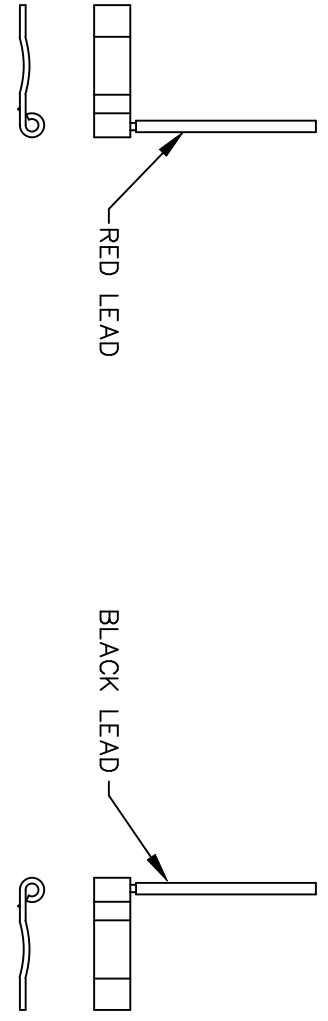
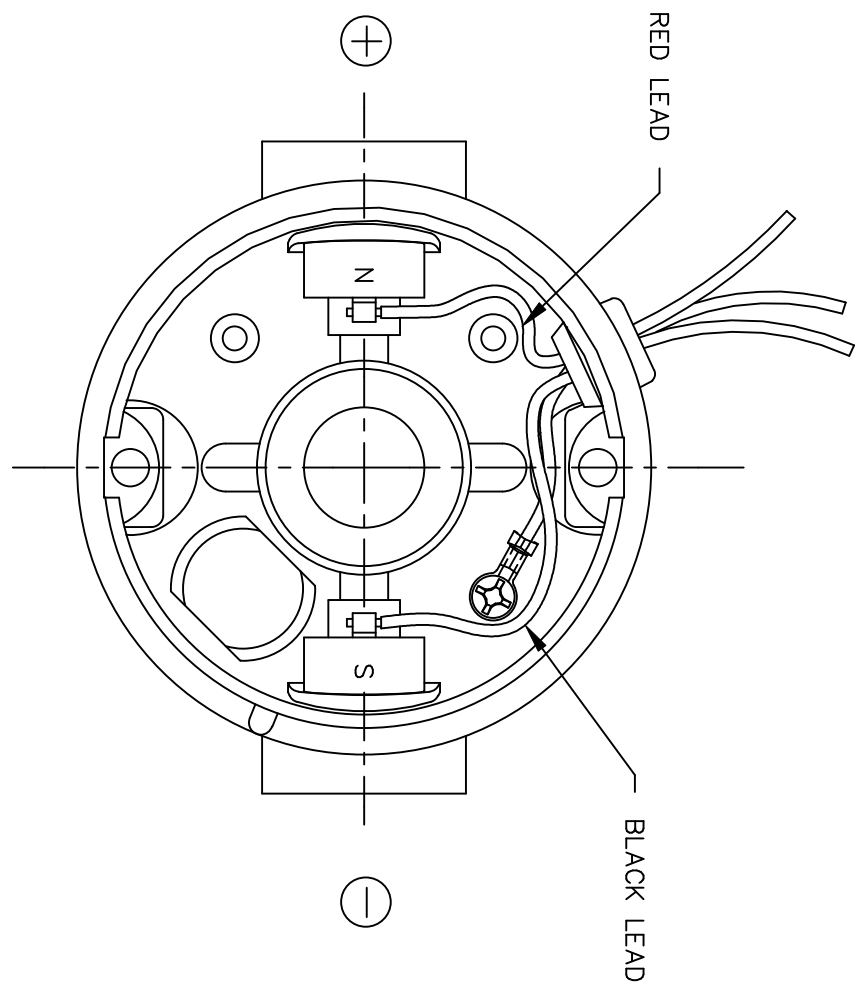


NOTES:
 1. NAMEPLATE MUST BE IN LINE WITH HOLE WITHIN .06".
 2. THIS NOTCH IS NOT PRESENT IN 1/20 HP DESIGNS.


CATALOG NUMBER	OUTPUT RPM	FULL LOAD TORQUE LB.-IN.	F.L. AMPS	INPUT HP	VOLTAGE (VOLTS)	RATIO TO 1	"XH"	"XL"
M1125247.00	51	130	1.4	1/8	90	35	6.42	10.45
M1125248.00	31	220	1.4	1/8	90	58	6.42	10.45
M1125249.00	24	280	1.3	1/8	90	76	6.42	10.45
M1125250.00	18	150	.56	1/20	90	103	4.50	8.52
M1125251.00	9	268	.54	1/20	90	210	4.50	8.52
M1125252.00	51	130	10.3	1/8	12	35	6.42	10.45
M1125253.00	31	220	10.6	1/8	12	58	6.42	10.45
M1125254.00	24	280	10.6	1/8	12	76	6.42	10.45
M1125255.00	18	150	5.0	1/20	12	103	4.50	8.52
M1125256.00	9	268	4.5	1/20	12	210	4.50	8.52

03	ADDED CAT. # M1125255.00 & M1125256.00 TO TABLE, PER FIRST RUN	IPG 6/24/04	SAD	TOLERANCES UNLESS SPECIFIED	DEC. INCHES		ELECTRIC MOTORS GEARMOTORS AND DRIVES	DRAWN IPG 6/10/04
02	ADDED CAT. # M1125252.00, M1125253.00 & M1125254.00 TO TABLE, PER FIRST RUN	IPG 6/23/04	SAD	.X ±.03	TITLE OUTLINE			CHK SAD 6/10/04
01	ADDED CAT. # M1125250.00 & M1125251.00 TO TABLE, PER FIRST RUN	IPG 6/16/04	SAD	.XXX ±.005	30 FRAME DC - OS300 GEARBOX	APPD	SCALE 5=8	
	ADDED NOTE 2, PER FIRST RUN		SAD	.XXXX ±.0005	MATL	REF PR030382	RFM M1125247.00	
NO.	REVISION	BY & DATE	CHK	ANG ±1/2"	FINISH	PREV		
THIS DRAWING IN DESIGN AND DETAIL IS OUR PROPERTY AND MUST NOT BE USED EXCEPT IN CONNECTION WITH OUR WORK ALL RIGHTS OF DESIGN AND INVENTION ARE RESERVED THIS IS AN ELECTRONICALLY GENERATED DOCUMENT - DO NOT SCALE THIS PRINT						RFP	CAD FILE M1030931	SIZE B
						DIST	DRAWING NO. M1030931.00	REV. 03

D.C. MOTORS



EXTERNAL CONNECTIONS FOR CW ROTATION
 VIEWING LEAD END OF MOTOR WITH RED LEAD
 POSITIVE (+) AND BLACK LEAD NEGATIVE (-)
 FOR CCW ROTATION REVERSE POLARITY

				TOLERANCES UNLESS SPECIFIED		 ELECTRIC MOTORS GEARMOTORS AND DRIVES	DRAWN RWS 3/15/05 CHK RPB 3/15/05 APPD
				DEC.	INCHES		SCALE 1=1
				.X	±.1		REF 901.706
				.XX	±.01		FMF
				.XXX	±.005		PREV
00	RELEASED COMM CONVERSION PROJECT	RWS 4/13/05	RPB	.XXXX	±.0005	MAT'L.	
NO.	REVISION	BY & DATE	CHK	ANG	±1/2"	FINISH	
THIS DRAWING IN DESIGN AND DETAIL IS OUR PROPERTY AND MUST NOT BE USED EXCEPT IN CONNECTION WITH OUR WORK ALL RIGHTS OF DESIGN AND INVENTION ARE RESERVED THIS IS AN ELECTRONICALLY GENERATED DOCUMENT - DO NOT SCALE THIS PRINT				RFP	CAD FILE	M100530201	SIZE A
				DIST	DRAWING NO. M1005302.01		REV. 00