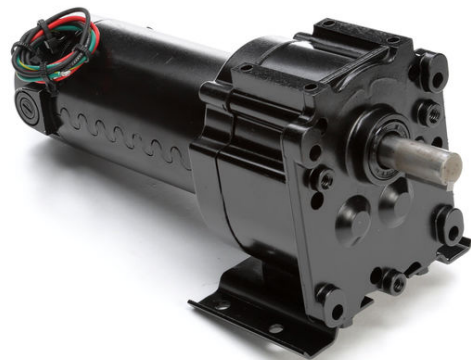


# PRODUCT INFORMATION PACKET



Model No: 985.659C  
Catalog No: M1125219.00  
...35:1.51RPM.130LBIN.1/8HP.30....12V..TENV.985.659C  
P300 Series



Regal and Leeson are trademarks of Regal Beloit Corporation or one of its affiliated companies.  
©2018 Regal Beloit Corporation, All Rights Reserved. MC017097E





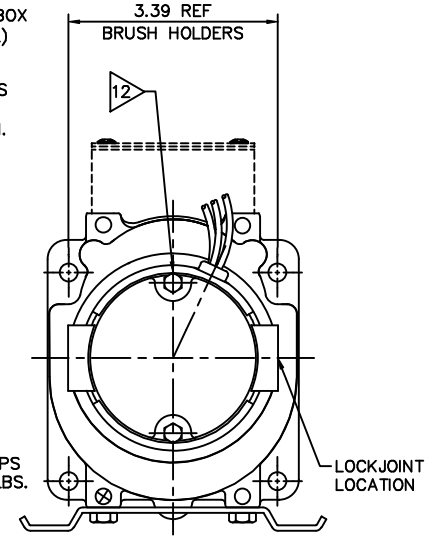
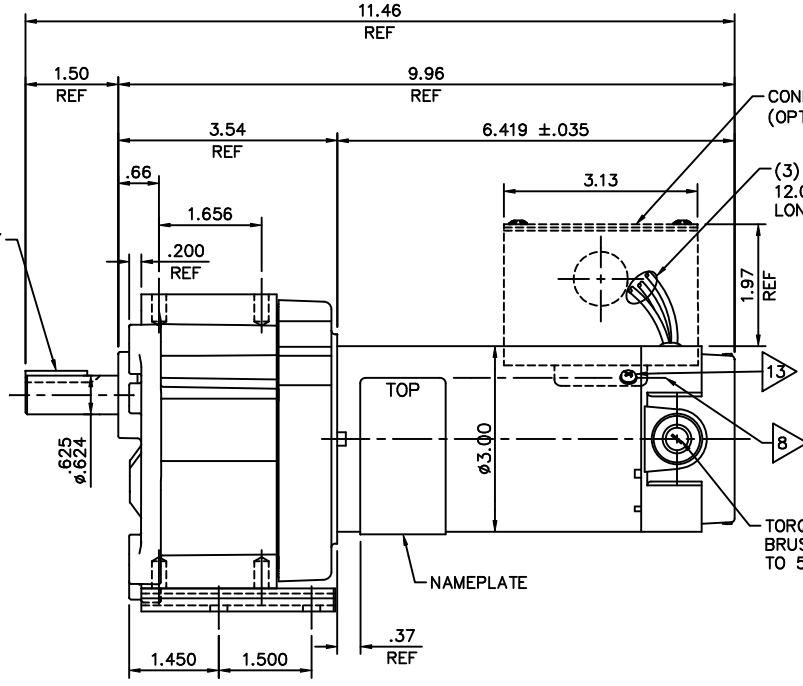
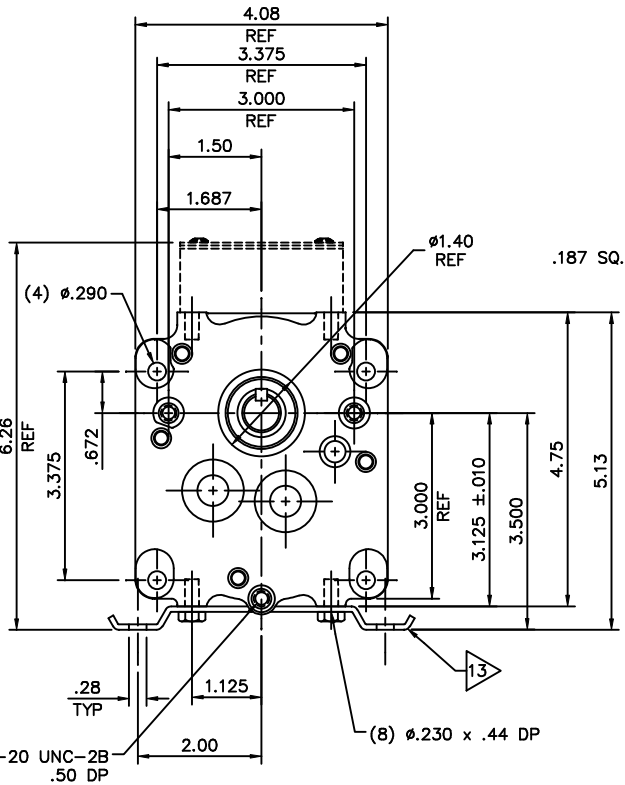
### Nameplate Specifications

Output HP	<b>0.13 Hp</b>	Output KW	<b>0.10 kW</b>
Voltage	<b>12 V</b>	Current	<b>10.3 A</b>
Speed	<b>51 rpm</b>	Service Factor	<b>1</b>
Efficiency	<b>60.5 %</b>	Duty	<b>Continuous</b>
Insulation Class	<b>F</b>	Frame	<b>30</b>
Enclosure	<b>Totally Enclosed Non Ventilated</b>	Overload Protector	<b>No</b>
Ambient Temperature	<b>40 °C</b>	Drive End Bearing Size	<b>6000</b>
Opp Drive End Bearing Size	<b>6000</b>	UL	<b>Recognized</b>
CSA	<b>Y</b>	CE	<b>N</b>

### Technical Specifications

Rotation	<b>Reversible</b>	Mounting	<b>Special</b>
Shaft Type	<b>Parallel</b>	Overall Length	<b>11.46 in</b>
Frame Length	<b>4.91 in</b>	Shaft Diameter	<b>0.625 in</b>
Shaft Extension	<b>1.5 in</b>		
Outline Drawing	<b>M1030941-M1125219</b>	Connection Diagram	<b>M112521900FI</b>

**This is an uncontrolled document once printed or downloaded and is subject to change without notice. Date Created: 10/15/2018**



- 1) ROTATION: REVERSIBLE
- 2) HIPOT: 1250 VAC FOR ONE SECOND; RED & BLACK LEADS TO CASE
- 3) LEADS: 14 GA
- 4) BEARINGS: BALL BEARINGS BOTH ENDS
- 5) CASTINGS: GEARBOX-DIE CAST ALUMINUM, REAR ENDCAP-DIE CAST ZINC
- 6) MAGNET TUBE: ZINC PLATED STEEL
- 7) INSULATION: CLASS F 155°C
- 8) NAME PLATE MUST BE IN LINE WITH HOLE WITHIN .06"
- 9) TEST AND LUBRICATE GEARBOX PER 890.178
- 10) PAINT PER DRAWING #PP985.6XX
- 11) PACKAGE FOR SHIPMENT PER 890.179
- 12) TORQUE THROBOLTS TO 20-25 IN-LB
- 13) INSTALL BRACKET & CONDUIT BOX SCREWS AT FINAL ASSEMBLY BEFORE PAINTING

MODEL No.	VOLTAGE	CATALOG No.	TYPE	RATIO	TORQUE	HP	RPM
985.658	12VDC	M1125218.00	DN	58:1	220 IN-LB	1/8	31
985.659	12VDC	M1125219.00	DN	35:1	130 IN-LB	1/8	51
985.660	12VDC	M1125220.00	DN	29:1	113 IN-LB	1/8	61

				TOLERANCES UNLESS SPECIFIED		<b>LEESON</b>	ELECTRIC MOTORS GEARMOTORS AND DRIVES	DRAWN	KLS 9/24/04		
				DEC.	INCHES			CHK	IPG 9/24/04		
				.X	±.1	TITLE		APPD			
				.XX	±.03	30 FRAME DC - P300 GEARBOX		SCALE	1=2		
01	VALUES FOR HP & RPM WERE 1/20 AND 5, ECR 87703	VS	2/9/05	BC	.XXX	±.005	REF	M1125218-200L			
00	RELEASED PER ECR 87604	KLS	09/24/04	IPG	.XXXX	±.0005	MAT'L	FMF M1125218.00			
NO.	REVISION	BY & DATE		CHK	ANG	±1/2"	FINISH	PREV			
THIS DRAWING IN DESIGN AND DETAIL IS OUR PROPERTY AND MUST NOT BE USED EXCEPT IN CONNECTION WITH OUR WORK ALL RIGHTS OF DESIGN AND INVENTION ARE RESERVED THIS IS AN ELECTRONICALLY GENERATED DOCUMENT - DO NOT SCALE THIS PRINT						RFP	CAD FILE	M1030941	SIZE	DRAWING NO.	REV.
						DIST	B	M1030941.00	B	M1030941.00	01

1. HIPOT @ 1250 VOLTS FOR ONE SECOND, RED & BLACK LEADS TO CASE
2. RED LEAD POS (+)
- BLACK LEAD NEG (-)
- } CCWSE (MOTOR ONLY-SHAFT OUTPUT END)
3. RUN IN @ 12 VDC, 2.02 MAX AMPS, NO LOAD
4. TORQUE THRUBOLTS TO 20-25 LB. IN.
5. ALL MOTORS TO BE RUN-IN AT FREE-LOAD FOR 30 MINS. [REVERSING DIRECTION AT 15 MINUTES] AT 12±1 VDC.


CHECKS TO OUTLINE DRAWING

- A. LEAD LENGTH & STRIP
- B. SHAFT ROTATION (GEARBOX)
- C. LABEL CORRECT, POSITION (CRITICAL) & DATE CODE
- D. -
- E. PAINT - SMOOTH. COMPLETE & NO RUNS
- F. MOUNTING BASE ON GEARBOX
- G. CONDUIT BOX SCREWS
- H. GEARBOX ID
- J. GEARBOX OIL PLUG TORQUE (24 LB. IN.)

PERFORMANCE SPECIFICATIONS

TORQUE	SPEED	MAX AMPS
65 LB. IN.	54-60	6.87
130 LB. IN.	50-55	11.36

UL NUMBER: 985.659

				TOLERANCES UNLESS SPECIFIED		 ELECTRIC MOTORS GEARMOTORS AND DRIVES	DRAWN AD 1/31/01		
				DEC.	INCHES		CHK		
03	REMOVED KEY & RUBBER BAND/"D"OUT.CHKS. ECR83964	RPB 12/17/03	BC	.X	±.1	TITLE FINAL INSPECTION 30 FRAME DC - P300 GEARBOX	APPD		
02	CHG'D NOTE 5	JKM 11/8/02		.XX	±.01		SCALE 1=1		
01	2.02 W .88;54-60 W 54-59;6.87 W 6.0;11.36 W 11.0	AD 3/27/01		.XXX	±.005		REF		
00	RELEASE	AD 1/30/01		.XXXX	±.0005		FMF		
NO.	REVISION	BY & DATE	CHK	ANG	±1/2"	FINISH	PREV		
THIS DRAWING IN DESIGN AND DETAIL IS OUR PROPERTY AND MUST NOT BE USED EXCEPT IN CONNECTION WITH OUR WORK ALL RIGHTS OF DESIGN AND INVENTION ARE RESERVED THIS IS AN ELECTRONICALLY GENERATED DOCUMENT - DO NOT SCALE THIS PRINT				RFP	CAD FILE	M112521900FI	SIZE	DRAWING NO.	REV.
				DIST			A	M1125219.00FI	03

ERROR: undefined  
OFFENDING COMMAND: setrgb

STACK:

0.75

0.75

0.75

-savelevel-